

Split-type Air-Conditioner

**MXZ-2D33VA
MXZ-2D42VA2
MXZ-2D53VA(H)2**

English is original.

Übersetzung des
Originals

Traduction du texte
d'origine

Vertaling van het
origineel

Traducción del
original

Traduzione
dell'originale

Μετάφραση του
αρχικού

Tradução do
original

Oversættelse af
den originale tekst

Översättning från
originalen

Originalin çevirisi

Оригиналът е текстът
на английски език.

Installation Manual

For INSTALLER

- This manual only describes the installation of outdoor unit.
When installing the indoor unit, refer to the installation manual of indoor unit.

Installationsanleitung

Für INSTALLATEUR

- Diese Installationsanleitung gilt nur für die Installation des Außengerätes.
Zur Installation des Innengeräts siehe die Installationsanleitung für Innengeräte.

Notice d'installation

Destinée à l'INSTALLATEUR

- Cette notice ne décrit que l'installation de l'appareil extérieur.
Lors de l'installation de l'appareil intérieur, consultez la notice d'installation de cet appareil.

Installatiehandleiding

Voor de INSTALLATEUR

- Deze handleiding beschrijft alleen de installatie van de buitenunit.
Raadpleeg de installatiehandleiding van de binnenunit wanneer u deze installeert.

Manual de instalación

Para el INSTALADOR

- En este manual sólo se describe la instalación de la unidad exterior.
Para instalar la unidad interior, consulte el manual de instalación de dicha unidad.

Manuale per l'installazione

Per il TECNICO INSTALLATORE

- Questo manuale descrive solo l'installazione dell'unità esterna.
Per l'installazione dell'unità interna, fare riferimento al relativo manuale di installazione.

Εγχειρίδιο εγκατάστασης

Για τον ΤΕΧΝΙΚΟ

- Στο παρόν εγχειρίδιο περιγράφεται μόνο η εγκατάσταση της μονάδας εξωτερικού χώρου.
Για την εγκατάσταση της μονάδας εσωτερικού χώρου, ανατρέξτε στο εγχειρίδιο εγκατάστασης της μονάδας εσωτερικού χώρου.

Manual de Instalação

Para o INSTALADOR

- Este manual descreve apenas a instalação da unidade exterior.
Quando proceder à instalação da unidade interior, consulte o manual de instalação da unidade interior.

Installationshåndbog

Til INSTALLATØREN

- Denne håndbog beskriver kun, hvordan udendørsenheden installeres.
Vedrørende installation af indendørsenheden henvises til installationshåndbogen for indendørsenheden.

Installationsanvisning

För INSTALLATÖREN

- Denna installationsanvisning beskriver endast installation av utomhusenheten.
Se den separata installationsanvisningen för inomhusenheten.

Kurulum Kılavuzu

TESİSATÇI İÇİN

- Bu kılavuzda yalnızca dış ünitenin kurulumu açıklanmaktadır.
İç ünite kurulum işlemini yaparken iç ünite kurulum kılavuzuna bakın.

Ръководство за монтаж

За ИНСТАЛАТОРА

- Това ръководство описва само монтажа на външното тяло.
При монтиране на вътрешното тяло вижте ръководството за монтаж на вътрешното тяло.

English

Deutsch

Français

Nederlands

Español

Italiano

Ελληνικά

Português

Dansk

Svenska

Türkçe

Български

CONTENTS

1. BEFORE INSTALLATION 1
 2. OUTDOOR UNIT INSTALLATION 4
 3. FLARING WORK AND PIPE CONNECTION..... 4
 4. PURGING PROCEDURES, LEAK TEST, AND TEST RUN..... 5
 5. PUMPING DOWN 6

Required Tools for Installation

Phillips screwdriver	Flare tool for R410A
Level	Gauge manifold for R410A
Scale	Vacuum pump for R410A
Utility knife or scissors	Charge hose for R410A
Torque wrench	Pipe cutter with reamer
Wrench (or spanner)	
4 mm hexagonal wrench	

1. BEFORE INSTALLATION

1-1. THE FOLLOWING SHOULD ALWAYS BE OBSERVED FOR SAFETY

- Be sure to read "THE FOLLOWING SHOULD ALWAYS BE OBSERVED FOR SAFETY" before installing the air conditioner.
- Be sure to observe the warnings and cautions specified here as they include important items related to safety.
- After reading this manual, be sure to keep it together with the OPERATING INSTRUCTIONS for future reference.

▲ WARNING (Could lead to death, serious injury, etc.)

- **Do not install the unit by yourself (user).**
Incomplete installation could cause fire or electric shock, injury due to the unit falling, or leakage of water. Consult the dealer from whom you purchased the unit or a qualified installer.
- **Perform the installation securely referring to the installation manual.**
Incomplete installation could cause fire, electric shock, injury due to the unit falling, or leakage of water.
- **When installing the unit, use appropriate protective equipment and tools for safety.**
Failure to do so could cause injury.
- **Install the unit securely in a place which can bear the weight of the unit.**
If the installation location cannot bear the weight of the unit, the unit could fall causing injury.
- **Electrical work should be performed by a qualified, experienced electrician, according to the installation manual. Be sure to use an exclusive circuit. Do not connect other electrical appliances to the circuit.**
If the capacity of the power circuit is insufficient or there is incomplete electrical work, it could result in a fire or an electric shock.
- **Do not damage the wires by applying excessive pressure with parts or screws.**
Damaged wires could cause fire or electric shock.
- **Be sure to cut off the main power in case of setting up the indoor P.C. board or wiring works.**
Failure to do so could cause electric shock.
- **Use the specified wires to connect the indoor and outdoor units securely and attach the wires firmly to the terminal block connecting sections so the stress of the wires is not applied to the sections. Do not extend the wires, or use intermediate connection.**
Incomplete connecting and securing could cause fire.
- **Do not install the unit in a place where inflammable gas may leak.**
If gas leaks and accumulates in the area around the unit, it could cause an explosion.
- **Do not use intermediate connection of the power cord or the extension cord and do not connect many devices to one AC outlet.**
It could cause a fire or an electric shock due to defective contact, defective insulation, exceeding the permissible current, etc.
- **Be sure to use the parts provided or specified parts for the installation work.**
The use of defective parts could cause an injury or leakage of water due to a fire, an electric shock, the unit falling, etc.
- **When plugging the power supply plug into the outlet, make sure that there is no dust, clogging, or loose parts in both the outlet and the plug. Make sure that the power supply plug is pushed completely into the outlet.**
If there is dust, clogging, or loose parts on the power supply plug or the outlet, it could cause electric shock or fire. If loose parts are found on the power supply plug, replace it.
- **Attach the electrical cover to the indoor unit and the service panel to the outdoor unit securely.**
If the electrical cover of the indoor unit and/or the service panel of the outdoor unit are not attached securely, it could result in a fire or an electric shock due to dust, water, etc.
- **When installing, relocating, or servicing the unit, make sure that no substance other than the specified refrigerant (R410A) enters the refrigerant circuit.**
Any presence of foreign substance such as air can cause abnormal pressure rise and may result in explosion or injury. The use of any refrigerant other than that specified for the system will cause mechanical failure, system malfunction, or unit breakdown. In the worst case, this could lead to a serious impediment to securing product safety.
- **Do not discharge the refrigerant into the atmosphere. If refrigerant leaks during installation, ventilate the room.**
If refrigerant comes in contact with a fire, harmful gas could be generated. Refrigerant leakage may cause suffocation. Provide ventilation in accordance with EN378-1.
- **Check that the refrigerant gas does not leak after installation has been completed.**
If refrigerant gas leaks indoors, and comes into contact with the flame of a fan heater, space heater, stove, etc., harmful substances will be generated.
- **Use appropriate tools and piping materials for installation.**
The pressure of R410A is 1.6 times more than R22. Not using appropriate tools or materials and incomplete installation could cause the pipes to burst or injury.
- **When pumping down the refrigerant, stop the compressor before disconnecting the refrigerant pipes.**
If the refrigerant pipes are disconnected while the compressor is running and the stop valve is open, air could be drawn in and the pressure in the refrigeration cycle could become abnormally high. This could cause the pipes to burst or injury.
- **When installing the unit, securely connect the refrigerant pipes before starting the compressor.**
If the compressor is started before the refrigerant pipes are connected and when the stop valve is open, air could be drawn in and the pressure in the refrigeration cycle could become abnormally high. This could cause the pipes to burst or injury.
- **Fasten a flare nut with a torque wrench as specified in this manual.**
If fastened too tight, a flare nut may break after a long period and cause refrigerant leakage.
- **The unit shall be installed in accordance with national wiring regulations.**
- **Earth the unit correctly.**
Do not connect the earth to a gas pipe, water pipe, lightning rod or telephone earth. Defective earthing could cause electric shock.
- **Be sure to install an earth leakage breaker.**
Failure to install an earth leakage breaker may result in electric shock or fire.

▲ CAUTION (Could lead to serious injury in particular environments when operated incorrectly.)

- **Perform the drainage/piping work securely according to the installation manual.**
If there is defect in the drainage/piping work, water could drop from the unit, soaking and damaging household goods.
- **Do not touch the air inlet or the aluminum fins of the outdoor unit.**
This could cause injury.
- **Do not install the outdoor unit where small animals may live.**
If small animals enter and touch the electric parts inside the unit, it could cause a malfunction, smoke emission, or fire. Also, advise user to keep the area around the unit clean.

1-2. SPECIFICATIONS

Model	Power supply *1			Wire specifications *2		Pipe length and height difference *3, *4, *5, *6, *7, *8				Outdoor Noise level	
	Rated Voltage	Frequency	Breaker capacity	Power supply	Indoor/outdoor connecting wire	Max. pipe length per indoor unit / for multi-system	Max. height difference *9	Max. no. of bends per indoor unit / for multi system	Refrigerant adjustment A *10	Cooling	Heating
MXZ-2D33VA	220-230-240 V	50 Hz	10 A	3-core 1.0 mm ²	4-core 1.0/1.5 mm ²	15 m / 20 m	10 m	15 / 20	20 g/m	49 dB (A)	50 dB (A)
MXZ-2D42VA2			15 A	3-core 2.0 mm ²		20 m / 30 m	15 m	20 / 30		46 dB (A)	51 dB (A)
MXZ-2D53VA(H)2											50 dB (A)

Note:

Refer to the table for possible combinations (service reference number).

When connecting the MFZ-KJ series indoor unit to this outdoor unit, charge additional refrigerant according to the instructions in the table below.

MXZ-2D33VA

No. of MFZ-KJ indoor units	Pipe length (L)	Maximum amount of refrigerant
	~ 20 m	
1 unit	100 g additional (Total 1250 g)	1250 g
2 units	Not available (Only one MFZ-KJ series indoor unit can be connected.)	

MXZ-2D42VA2 MXZ-2D53VA2 MXZ-2D53VAH2

No. of MFZ-KJ indoor units	Pipe length (L)		Maximum amount of refrigerant
	~ 20 m	~ 30 m	
1 unit	100 g additional (Total 1400 g)	100 g + {(L -20) m x 20 g/m}	1600 g
2 units	200 g additional (Total 1500 g)	200 g + {(L -20) m x 20 g/m}	1700 g

- *1 Connect to the power switch which has a gap of 3 mm or more when open to interrupt the source power phase. (When the power switch is shut off, it must interrupt all phases.)
- *2 Use wires in conformity with design 60245 IEC 57. Use the indoor/outdoor connecting wire in conformity with the wire specifications specified in the installation manual of the indoor unit.
- *3 Never use pipes with thickness less than specified. The pressure resistance will be insufficient.
- *4 Use a copper pipe or a copper-alloy seamless pipe.
- *5 Be careful not to crush or bend the pipe during pipe bending.

- *6 Refrigerant pipe bending radius must be 100 mm or more.
- *7 Insulation material : Heat resisting foam plastic 0.045 specific gravity
- *8 Be sure to use the insulation of specified thickness. Excessive thickness may cause incorrect installation of the indoor unit and insufficient thickness may cause dew drippage.
- *9 If the outdoor unit is installed higher than the indoor unit, max. height difference is reduced to 10 m.
- *10 If pipe length exceeds 20 m, additional refrigerant (R410A) charge is required. (No additional charge is required for pipe length less than 20 m.)
Additional refrigerant = A × (pipe length (m) - 20)

1-3. SELECTING OPTIONAL DIFFERENT-DIAMETER JOINTS

If the diameter of connection pipe does not match the port size of outdoor unit, use optional different-diameter joints according to the following table.

(Unit: mm (inch))

Port size of outdoor unit		Optional different-diameter joints (port size of outdoor unit → diameter of connection pipe)
MXZ-2D	Liquid / Gas	9.52 (3/8) → 12.7 (1/2) : MAC-A454JP-E Refer to the installation manual of indoor unit for the diameter of connection pipe of indoor unit.
A, B UNIT	6.35 (1/4) / 9.52 (3/8)	

1-4. SELECTING THE INSTALLATION LOCATION

- Where it is not exposed to strong wind.
- Where airflow is good and dustless.
- Where rain or direct sunshine can be avoided as much as possible.
- Where neighbours are not annoyed by operation sound or hot air.
- Where rigid wall or support is available to prevent the increase of operation sound or vibration.
- Where there is no risk of combustible gas leakage.
- When installing the unit, be sure to secure the unit legs.
- Where it is at least 3 m away from the antenna of TV set or radio. Operation of the air conditioner may interfere with radio or TV reception in areas where reception is weak. An amplifier may be required for the affected device.
- Install the unit horizontally.
- Please install it in an area not affected by snowfall or blowing snow. In areas with heavy snow, please install a canopy, a pedestal and/or some baffle boards.

Note:

It is advisable to make a piping loop near outdoor unit so as to reduce vibration transmitted from there.

Note:

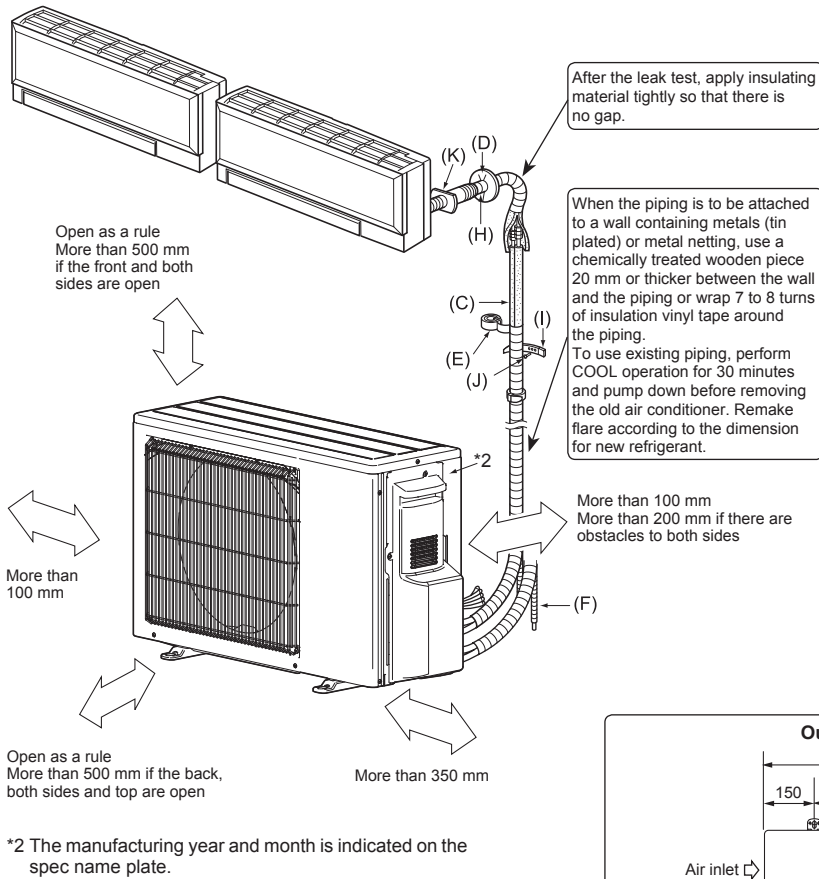
When operating the air conditioner in low outside temperature, be sure to follow the instructions described below.

- Never install the outdoor unit in a place where its air inlet/outlet side may be exposed directly to wind.
- To prevent exposure to wind, install the outdoor unit with its air inlet side facing the wall.
- To prevent exposure to wind, it is recommended to install a baffle board on the air outlet side of the outdoor unit.

Avoid the following places for installation where air conditioner trouble is liable to occur.

- Where flammable gas could leak.
- Where there is much machine oil.
- Where oil is splashed or where the area is filled with oily smoke (such as cooking areas and factories, in which the properties of plastic could be changed and damaged).
- Salty places such as the seaside.
- Where sulfide gas is generated such as a hot spring.
- Where there is high-frequency or wireless equipment.
- Where there is emission of high levels of VOCs, including phthalate compounds, formaldehyde, etc., which may cause chemical cracking.

1-5. INSTALLATION DIAGRAM



ACCESSORIES

Check the following parts before installation.

(1) Drain socket	1
------------------	---

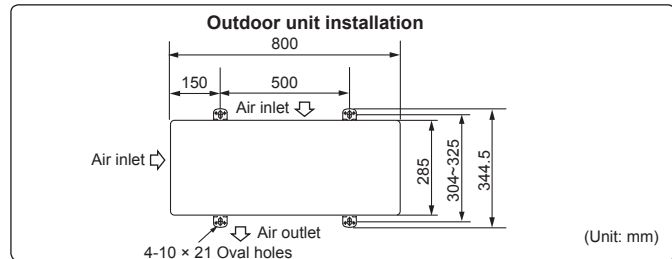
PARTS TO BE PROVIDED AT YOUR SITE

(A) Power supply cord*1	1
(B) Indoor/outdoor unit connecting wire*1	1
(C) Extension pipe	1
(D) Wall hole cover	1
(E) Piping tape	1
(F) Extension drain hose (or soft PVC hose, 15 mm inner diameter or hard PVC pipe VP16)	1
(G) Refrigeration oil	Little amount
(H) Putty	1
(I) Pipe fixing band	2 to 7
(J) Fixing screw for (I)	2 to 7
(K) Wall hole sleeve	1
(L) Soft PVC hose, 15 mm inner diameter or hard PVC pipe VP16 for drain socket (1)	1

Note:

*1 Place indoor/outdoor unit connecting wire (B) and power supply cord (A) at least 1 m away from the TV antenna wire.

The "Q'ty" for (B) to (K) in the above table is quantity to be used per indoor unit.



Units should be installed by licensed contractor according to local code requirements.

1-6. DRAIN PIPING FOR OUTDOOR UNIT

Please perform the drain piping work only when draining from one place.

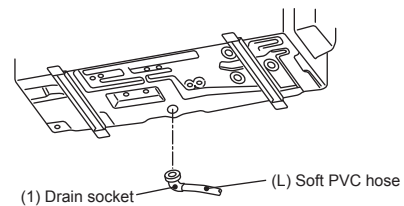
- 1) Provide drain piping before indoor and outdoor piping connection.
- 2) Connect the soft PVC hose (L) I.D. 15 mm as shown in the illustration.
- 3) Make sure to provide drain piping with a downhill grade for easy drain flow.

Note:

Install the unit horizontally.

Do not use the drain socket (1) in the cold regions. Drain may freeze and it makes the fan stop.

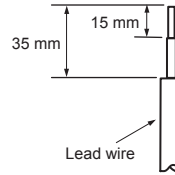
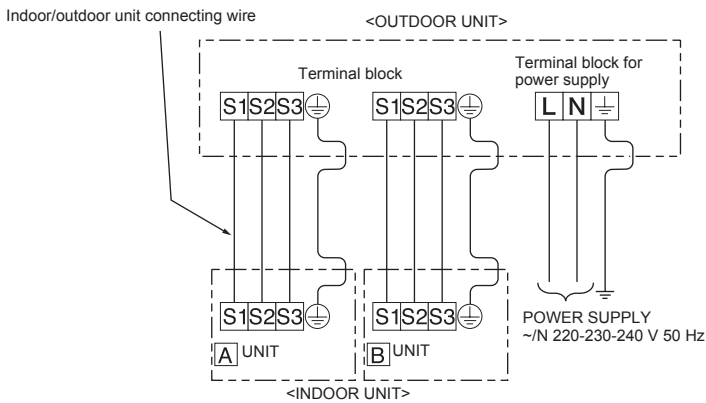
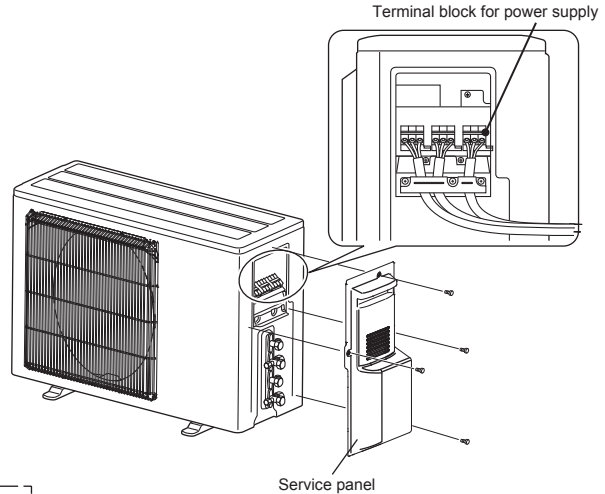
The outdoor unit produces condensate during the heating operation. Select the installation place to ensure to prevent the outdoor unit and/or the grounds from being wet by drain water or damaged by frozen drain water.



2. OUTDOOR UNIT INSTALLATION

2-1. CONNECTING WIRES FOR OUTDOOR UNIT

- 1) Remove the service panel.
 - 2) Loosen terminal screw, and connect indoor/outdoor unit connecting wire (B) from the indoor unit correctly on the terminal block. Be careful not to make mis-wiring. Fix the wire to the terminal block securely so that no part of its core is appeared, and no external force is conveyed to the connecting section of the terminal block.
 - 3) Firmly tighten the terminal screws to prevent them from loosening. After tightening, pull the wires lightly to confirm that they do not move.
 - 4) Perform 2) and 3) for each indoor unit.
 - 5) Connect power supply cord (A).
 - 6) Fix indoor/outdoor unit connecting wire (B) and power supply cord (A) with the cable clamps.
 - 7) Close the service panel securely. Make sure that 3-2. PIPE CONNECTION is completed.
- After making connections between both power supply cord (A) and indoor/outdoor unit connecting wire (B), be sure to fix both cable and wire with cable clamps.



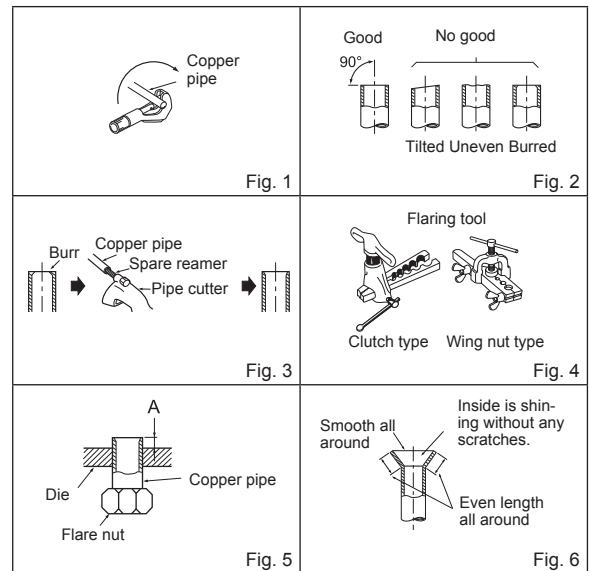
- Be sure to attach each screw to its correspondent terminal when securing the cord and/or the wire to the terminal block.
- Make earth wire a little longer than others. (More than 35 mm)
- For future servicing, give extra length to the connecting wires.

3. FLARING WORK AND PIPE CONNECTION

3-1. FLARING WORK

- 1) Cut the copper pipe correctly with pipe cutter. (Fig. 1, 2)
- 2) Completely remove all burrs from the cut cross section of pipe. (Fig. 3)
 - Aim the copper pipe downward while removing burrs to prevent burrs from dropping in the pipe.
- 3) Remove flare nuts attached to indoor and outdoor units, then put them on pipe having completed burr removal. (Not possible to put them on after flaring work.)
- 4) Flaring work (Fig. 4, 5). Firmly hold copper pipe in the dimension shown in the table. Select A mm from the table according to the tool selected.
- 5) Check
 - Compare the flared work with Fig. 6.
 - If flare is noted to be defective, cut off the flared section and do flaring work again.

Pipe diameter (mm)	Nut (mm)	A (mm)			Tightening torque	
		Clutch type tool for R410A	Clutch type tool for R22	Wing nut type tool for R22	N•m	kgf•cm
ø6.35 (1/4")	17	0 to 0.5	1.0 to 1.5	1.5 to 2.0	13.7 to 17.7	140 to 180
ø9.52 (3/8")	22			34.3 to 41.2	350 to 420	
ø12.7 (1/2")	26			2.0 to 2.5	49.0 to 56.4	500 to 575
ø15.88 (5/8")	29				73.5 to 78.4	750 to 800



3-2. PIPE CONNECTION

- 1) Apply a thin coat of refrigeration oil (G) to the flared ends of the pipes and the pipe connections of the outdoor unit.
- 2) Align the center of the pipe with that of the pipe connections of the outdoor unit, then hand tighten the flare nut 3 to 4 turns.
- 3) Tighten the flare nut with a torque wrench as specified in the table.
 - Over-tightening may cause damage to the flare nut, resulting in refrigerant leakage.
 - Be sure to wrap insulation around the piping. Direct contact with the bare piping may result in burns or frostbite.

⚠ WARNING
When installing the unit, securely connect the refrigerant pipes before starting the compressor.

3-3. INSULATION AND TAPING

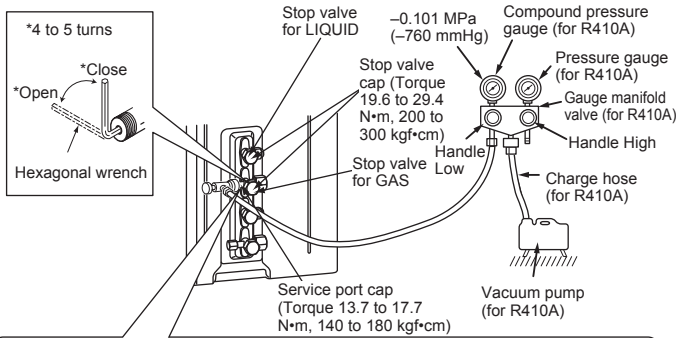
- 1) Cover piping joints with pipe cover.
- 2) For outdoor unit side, surely insulate every piping including valves.
- 3) Using piping tape (E), apply taping starting from the entry of outdoor unit.
 - Stop the end of piping tape (E) with tape (with adhesive agent attached).
 - When piping have to be arranged through above ceiling, closet or where the temperature and humidity are high, wind additional commercially sold insulation to prevent condensation.

⚠ CAUTION
When there are the ports which are not used, make sure their nuts are tightened securely.

4. PURGING PROCEDURES, LEAK TEST, AND TEST RUN

4-1. PURGING PROCEDURES AND LEAK TEST

- 1) Remove service port cap of stop valve on the side of the outdoor unit gas pipe. (The stop valves are fully closed and covered in caps in their initial state.)
- 2) Connect gauge manifold valve and vacuum pump to service port of stop valve on the gas pipe side of the outdoor unit.
- 3) Run the vacuum pump. (Vacuumize for more than 15 minutes.)
- 4) Check the vacuum with gauge manifold valve, then close gauge manifold valve, and stop the vacuum pump.
- 5) Leave as it is for one or two minutes. Make sure the pointer of gauge manifold valve remains in the same position. Confirm that pressure gauge shows -0.101 MPa [Gauge] (-760 mmHg).
- 6) Remove gauge manifold valve quickly from service port of stop valve.
- 7) Fully open all stop valves on the gas pipe and the liquid pipe. Operating without fully opening lowers the performance and this causes trouble.
- 8) Refer to 1-2., and charge the prescribed amount of refrigerant if needed. Be sure to charge slowly with liquid refrigerant. Otherwise, composition of the refrigerant in the system may be changed and affect performance of the air conditioner.
- 9) Tighten cap of service port to obtain the initial status.
- 10) Leak test



Precautions when using the control valve

When attaching the control valve to the service port, valve core may deform or loosen if excess pressure is applied. This may cause gas leak.

When attaching the control valve to the service port, make sure that the valve core is in closed position, and then tighten part A. Do not tighten part A or turn the body when valve core is in open position.

4-2. GAS CHARGE

Perform gas charge to unit.

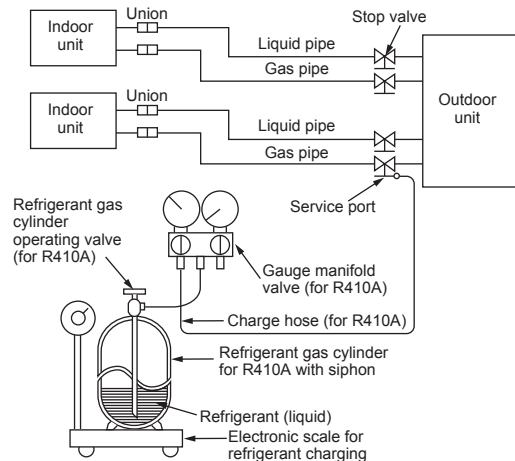
- 1) Connect gas cylinder to the service port of stop valve.
- 2) Perform air purge of the pipe (or hose) coming from refrigerant gas cylinder.
- 3) Replenish specified amount of the refrigerant, while operating the air conditioner for cooling.

Note:

In case of adding refrigerant, comply with the quantity specified for the refrigerating cycle.

CAUTION:

When charging the refrigerant system with additional refrigerant, be sure to use liquid refrigerant. Adding gas refrigerant may change the composition of the refrigerant in the system and affect normal operation of the air conditioner. Also, charge the liquid refrigerant slowly, otherwise the compressor will be locked. To maintain the high pressure of the gas cylinder, warm the gas cylinder with warm water (under 40°C) during cold season. But never use naked fire or steam.

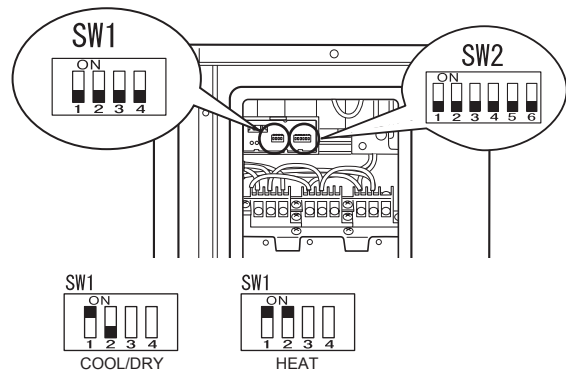


4-3. LOCKING THE OPERATION MODE OF THE AIR CONDITIONER (COOL, DRY, HEAT)

- Description of the function:
With this function, once the operation mode is locked to either COOL/DRY mode or HEAT mode, the air conditioner operates in that mode only.
- * Changing the setting is required to activate this function. Please explain about this function to your customers and ask them whether they want to use it.

[How to lock the operation mode]

- 1) Be sure to turn off the main power for the air conditioner before making the setting.
- 2) Set the "1" of SW1 on the outdoor display board to ON to enable this function.
- 3) To lock the operation mode in COOL/DRY mode, set the "2" of SW1 on the outdoor display board to OFF. To lock the operation in HEAT mode, set the same switch to ON.
- 4) Turn on the main power for the air conditioner.

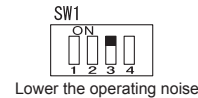


4-4. LOWERING THE OPERATION NOISE OF THE OUTDOOR UNIT

- Description of the function:
With this function, the operating noise of the outdoor unit can be lowered by reducing the operation load, for example, during nighttime in COOL mode. However, please note that the cooling and heating capacity may lower if this function is activated.
- * Changing the setting is required to activate this function. Please explain about this function to your customers and ask them whether they want to use it.

[How to lower the operating noise]

- 1) Be sure to turn off the main power for the air conditioner before making the setting.
- 2) Set the "3" of SW1 on the outdoor display board to ON to enable this function.
- 3) Turn on the main power for the air conditioner.



4-5. TEST RUN

- Test runs of the indoor units should be performed individually. See the installation manual coming with the indoor unit, and make sure all the units operate properly.
- If the test run with all the units is performed at once, possible erroneous connections of the refrigerant pipes and the indoor/outdoor unit connecting wires cannot be detected. Thus, be sure to perform the test run one by one.

Make sure that the following is done.

- Power is supplied to the unit.
- Stop valves are open.

About the restart protective mechanism

Once the compressor stops, the restart preventive device operates so the compressor will not operate for 3 minutes to protect the air conditioner.

4-6. EXPLANATION TO THE USER

- Using the OPERATING INSTRUCTIONS, explain to the user how to use the air conditioner (how to use the remote controller, how to remove the air filters, how to remove or put the remote controller in the remote controller holder, how to clean, precautions for operation, etc.).
- Recommend the user to read the OPERATING INSTRUCTIONS carefully.

5. PUMPING DOWN

When relocating or disposing of the air conditioner, pump down the system following the procedure below so that no refrigerant is released into the atmosphere.

- 1) Turn off the breaker.
- 2) Connect the gauge manifold valve to the service port of the stop valve on the gas pipe side of the outdoor unit.
- 3) Fully close the stop valve on the liquid pipe side of the outdoor unit.
- 4) Turn on the breaker.
- 5) Start the emergency COOL operation on all the indoor units.
- 6) When the pressure gauge shows 0.05 to 0 MPa [Gauge] (approx. 0.5 to 0 kgf/cm²), fully close the stop valve on the gas pipe side of the outdoor unit and stop the operation. (Refer to the indoor unit installation manual about the method for stopping the operation.)
 - * If too much refrigerant has been added to the air conditioner system, the pressure may not drop to 0.05 MPa [Gauge] (approx. 0.5 kgf/cm²), or the protection function may operate due to the pressure increase in the high-pressure refrigerant circuit. If this occurs, use a refrigerant collecting device to collect all of the refrigerant in the system, and then recharge the system with the correct amount of refrigerant after the indoor and outdoor units have been relocated.
- 7) Turn off the breaker. Remove the pressure gauge and the refrigerant piping.

⚠ WARNING

When pumping down the refrigerant, stop the compressor before disconnecting the refrigerant pipes. The compressor may burst and cause injury if any foreign substance, such as air, enters the pipes.

INHALT

1. VOR DER INSTALLATION.....	1
2. INSTALLATION DES AUSSENGERÄTES.....	4
3. LÖTARBEITEN UND ROHRANSCHLÜSSE.....	4
4. SPÜLPROZEDUREN, LECKTEST UND TESTLAUF.....	5
5. LEERPUMPEN.....	6

Erforderliche Werkzeuge für die Installation

Kreuzschlitzschraubenzieher	4 mm Sechskantschlüssel
Stufe	Kelchwerkzeug für R410A
Maßstab	Verteiler des Messgerätes für R410A
Messer oder Schere	
Drehmomentschlüssel	Vakuumpumpe für R410A
Schraubenschlüssel (oder Sechskantschlüssel)	Nachfüllschlauch für R410A Rohrschneider mit Reibahle

1. VOR DER INSTALLATION

1-1. VORSICHTSMASSNAHMEN

- Lesen Sie unbedingt die "VORSICHTSMASSNAHMEN" vor dem Installieren des Klimageräts.
- Beachten Sie die hier aufgeführten Warnungen und Vorsichtsmaßnahmen zur Sicherheit.
- Bewahren Sie dieses Handbuch nach dem Lesen zusammen mit der **BEDIENUNGSANLEITUNG** zum späteren Nachschlagen auf.

⚠️ WARNUNG (Kann zum Tode, schweren Verletzungen usw. führen.)

- **Installieren Sie (als Benutzer) die Anlage nicht selbst.**
Eine falsche Installation kann zu Feuer, Stromschlägen, Verletzungen durch Herunterfallen der Einheit oder zu Wasseraustritt führen. Wenden Sie sich für die Installation an Ihren Fachhändler, bei dem Sie das Gerät gekauft haben, oder an autorisiertes Kundendienstpersonal.
- **Führen Sie die Installation unter genauer Einhaltung der Anweisungen der Installationsanleitung aus.**
Eine falsche Installation kann zu Feuer, Stromschlägen, Verletzungen durch Herunterfallen der Einheit oder zu Wasseraustritt führen.
- **Verwenden Sie beim Installieren der Anlage zu Ihrer Sicherheit geeignete Schutzausrüstung und Werkzeuge.**
Wird dies nicht getan, besteht Verletzungsgefahr.
- **Installieren Sie das Gerät an einem Ort, der das Gewicht des Geräts tragen kann.**
Wenn der Installationsort nicht ausreichend tragfähig ist, kann das Gerät herunterfallen und Verletzungen verursachen.
- **Elektrische Arbeiten müssen unter Beachtung der Installationsanleitung von einem qualifizierten, erfahrenen Elektriker durchgeführt werden. Das Gerät muss an einen eigenen, separat abgesicherten Kreis angeschlossen werden. Schließen Sie keine weiteren Elektrogeräte an diesen Kreis an.**
Falls die Kapazität des Sicherungskreises nicht ausreichend ist, oder die elektrische Verkabelung fehlerhaft ausgeführt wird, kann dies zu Feuer oder Stromschlägen führen.
- **Achten Sie darauf, die Kabel nicht zu beschädigen, indem Sie mit anderen Teilen oder Schrauben übermäßigen Druck ausüben.**
Schadhafte Kabel können zu Bränden oder Stromschlägen führen.
- **Sorgen Sie dafür, dass beim Einbau der elektronischen P.C.-Steuertafel für das Innengerät oder bei der Verkabelung der Netzstrom abgeklemmt ist.**
Wird dies nicht getan, besteht die Gefahr eines Stromschlags.
- **Verwenden Sie zur Verbindung von Innen- und Außengerät die angegebenen Leitungen, und schließen Sie die Drähte richtig an den Klemmleisten an, so dass die Klemmleisten nicht durch Zug an den Drähten beansprucht werden. Keine Verlängerungskabel und keine Zwischenanschlüsse verwenden.**
Falscher Anschluss und falsche Befestigung können Brände auslösen.
- **Installieren Sie die Geräte niemals an Orten, an denen brennbare Gase austreten können.**
Falls brennbare Gase austreten und sich in der Nähe des Gerätes ansammeln, kann es zu einer Explosion kommen.
- **Schließen Sie das Stromkabel nicht über Zwischenanschlüsse oder Verlängerungskabel an, und schließen Sie nicht mehrere Geräte an einer Steckdose an.**
Dies kann zu Feuer oder Stromschlägen aufgrund defekter Kontakte, defekter Isolierung oder dem Überschreiten der zulässigen Stromstärke usw. führen.
- **Verwenden Sie für die Installation die mitgelieferten bzw. angegebenen Teile.**
Die Verwendung falscher Teile kann einen Wasseraustritt verursachen oder durch Feuer, Stromschlag, Herunterfallen der Einheit usw. Verletzungen verursachen.
- **Vor dem Einstecken des Stromkabels in die Steckdose, stellen Sie sicher, dass weder in Steckdose noch am Stecker Staub, Verschmutzungen oder lose Teile zu finden sind. Stecken Sie den Stecker des Stromkabels vollkommen in die Steckdose ein.**
Wenn sich doch Staub, Verschmutzungen oder lose Teile am Stecker des Stromkabels oder in der Steckdose befinden, kann dies zu Feuer oder Stromschlägen führen. Wenn Sie lose Teile am Stecker des Stromkabels finden, ersetzen Sie diesen.
- **Bringen Sie den Deckel des Schaltkastens am Innengerät und den Wartungsdeckel am Außengerät fest an.**
Falls der Deckel des Schaltkastens des Innengerätes und/oder der Wartungsdeckel des Außengerätes nicht richtig angebracht ist/sind, kann es aufgrund von Staub, Wasser usw. zu Feuer oder Stromschlägen kommen.
- **Achten Sie beim Installieren, Umsetzen oder Warten der Anlage darauf, dass keine andere Substanz als das vorgeschriebene Kältemittel (R410A) in den Kältemittelkreislauf gelangt.**
Das Vorhandensein irgendeiner anderen Substanz wie z. B. Luft kann einen abnormalen Druckanstieg verursachen und zu einer Explosion oder zu Verletzungen führen. Die Verwendung eines anderen als des vorgeschriebenen Kältemittels für das System kann mechanische Schäden, Fehlfunktionen des Systems oder einen Ausfall der Anlage verursachen. Im schlimmsten Fall kann dies zu einer schwerwiegenden Beeinträchtigung der Produktsicherheit führen.
- **Lassen Sie das Kältemittel nicht in die Atmosphäre entweichen. Wenn das Kältemittel während der Installation austritt, lüften Sie den Raum.**
Wenn Kältemittel mit Feuer in Berührung kommt, können schädliche Gase entstehen. Der Austritt von Kältemittel kann zu Erstickung führen. Sorgen Sie für Belüftung gemäß EN378-1.
- **Nach Fertigstellung der Installation ist darauf zu achten, dass kein Kältemittelgas austritt.**
Wenn in Innenräumen Kältemittelgas austritt und mit der Flamme eines Heizlüfters, einer Raumheizung, eines Ofens, etc. in Kontakt kommt, entstehen schädliche Substanzen.
- **Verwenden Sie geeignete Werkzeuge und geeignetes Rohrleitungsmaterial für die Installation.**
Der Druck von R410A ist 1,6 Mal größer als R22. Die Benutzung von nicht geeigneten Werkzeugen und nicht geeignetem Material und eine unvollständige Installation können zum Platzen der Rohrleitungen oder Verletzungen führen.
- **Beim Auspumpen des Kältemittels, schalten Sie den Kompressor ab, bevor die Kältemittelleitungen getrennt werden.**
Wenn die Kältemittelleitungen getrennt werden, während der Kompressor läuft und das Absperrventil offen ist, könnte Luft eingesaugt werden und ein abnormaler Druckanstieg im Kühlkreislauf könnte die Folge sein. Das könnte die Rohrleitungen zum Platzen bringen oder Verletzungen verursachen.
- **Schließen Sie die Kältemittelleitungen beim Installieren des Geräts fest an, bevor Sie den Kompressor einschalten.**
Wenn der Kompressor eingeschaltet wird, bevor die Kältemittelleitungen angeschlossen sind und das Absperrventil offen ist, könnte Luft eingesaugt werden und ein abnormaler Druckanstieg im Kühlkreislauf könnte die Folge sein. Das könnte die Rohrleitungen zum Platzen bringen oder Verletzungen verursachen.
- **Befestigen Sie Konusmuttern mit einem Drehmomentschlüssel gemäß den Angaben in dieser Anleitung.**
Wenn eine Konusmutter zu fest angezogen wird, kann sie nach längerer Zeit bersten und das Austreten von Kältemittel verursachen.
- **Das Gerät muss gemäß den nationalen Bestimmungen für Elektroanschlüsse installiert werden.**
- **Erden Sie das Klimagerät korrekt.**
Schließen Sie das Erdungskabel niemals an einem Gasrohr, einem Wasserrohr, einem Blitzableiter oder dem Erdungsleiter einer Kommunikationsanlage (Telefon usw.) an. Fehlerhafte Erdung kann zu Stromschlägen führen.
- **Achten Sie darauf, einen Erdschlussschalter zu installieren.**
Wenn kein Erdschlussschalter installiert wird, besteht die Gefahr eines Stromschlags oder Brandes.

⚠️ VORSICHT (Kann unter bestimmten Umständen bei Nichtbeachtung zu schweren Verletzungen führen.)

- **Befolgen Sie bei den Ablassrohr-/Verrohrungsarbeiten genau die Installationsanleitung.**
Falls die Ablassrohr-/Verrohrungsarbeiten fehlerhaft ausgeführt werden, kann Wasser vom Gerät tropfen und Haushaltsgegenstände beschädigen.
- **Berühren Sie nicht den Lufteinlass oder die Aluminiumrippen des Außengerätes.**
Das könnte zu Verletzungen führen.
- **Installieren Sie das Außengerät nicht an Orten, wo kleine Tiere leben könnten.**
Falls kleine Tiere in das Gerät gelangen und elektrische Bauteile berühren, könnte dies zu einer Fehlfunktion, Rauchentwicklung oder Feuer führen. Weisen Sie außerdem die Benutzer an, die Umgebung des Geräts sauber zu halten.

1-2. TECHNISCHE DATEN

Modell	Stromversorgung *1		Kabeldaten *2		Rohrlänge und Höhendifferenz *3, *4, *5, *6, *7, *8			Geräuschpegel des Außengeräts			
	Netzspannung	Frequenz	Stromversorgung	Innen-/Außengerät-Verbindungskabel	Max. Rohrlänge je Innengerät / für Multisystem	Max. Höhenunterschied *9	Max. Anzahl der Biegungen je Innengerät / für Multisystem	Kältemittelgleichgewicht A *10	Kühlen	Heizen	
MXZ-2D33VA	220-230-240 V	50 Hz	10 A	3-adrig 1,0 mm ²	15 m / 20 m	10 m	15 / 20	20 g/m	49 dB(A)	50 dB(A)	
MXZ-2D42VA2			15 A	3-adrig 2,0 mm ²	4-adrig 1,0/1,5 mm ²	20 m / 30 m	15 m		20 / 30	46 dB(A)	51 dB(A)
MXZ-2D53VA(H)2											

Hinweis:

Siehe Tabelle für mögliche Kombinationen (Service-Referenznummer).

Bei Anschluss des Innengeräts vom Typ MFZ-KJ an diesem Außengerät laden Sie zusätzliches Kühlmittel entsprechend den Anweisungen in der Tabelle unten.

MXZ-2D33VA

Anz. der MFZ-KJ-Innengeräte	Rohrlänge (L)		Maximale Kühlmittelmenge
	~ 20 m		
1 Gerät	100 g zusätzlich (Insgesamt 1250 g)		1250 g
2 Geräte	Nicht verfügbar (Nur ein MFZ-KJ-Innengerät kann angeschlossen werden.)		

Anz. der MFZ-KJ-Innengeräte	Rohrlänge (L)		Maximale Kühlmittelmenge
	~ 20 m	~ 30 m	
1 Gerät	100 g zusätzlich (Insgesamt 1400 g)	100 g + {(L - 20) m x 20 g/m}	1600 g
2 Geräte	200 g zusätzlich (Insgesamt 1500 g)	200 g + {(L - 20) m x 20 g/m}	1700 g

- *1 Nehmen Sie den Anschluss an einem Trennschalter vor, der im geöffneten Zustand zur Unterbrechung der Netzstromphase einen Zwischenraum von 3 mm oder mehr aufweist. (Wenn der Trennschalter ausgeschaltet ist, muss er alle Pole trennen.)
- *2 Verwenden Sie Kabel, die dem Standard 60245 IEC 57 entsprechen. Verwenden Sie ein Innen-/Außengerät-Verbindungskabel mit Kabeldaten gemäß Installationsanleitung für Innengeräte.
- *3 Unter keinen Umständen dürfen Rohrleitungen mit einer geringeren Wandstärke als angegeben verwendet werden. Deren Druckfestigkeit reicht nicht aus.
- *4 Verwenden Sie eine Kupferleitung oder eine nahtlose Leitung aus Kupferlegierung.
- *5 Achten Sie darauf, das Rohr an der Rohrbiegung nicht zu quetschen oder zu verbiegen.

- *6 Der Biegeradius der Kältemittelleitungen muss mindestens 100 mm betragen.
- *7 Isolationsmaterial: Hitzebeständiger Schaumstoff mit einer spezifischen Dichte von 0,045
- *8 Achten Sie darauf, dass die Isolierung die angegebene Stärke aufweist. Zu starke Isolierung kann zu unsachgemäßer Installation des Innengerätes und zu geringer Stärke der Isolierung zu Herabtropfen von Kondenswasser führen.
- *9 Wenn das Außengerät höher als das Innengerät angebracht wurde, ist der max. Höhenunterschied auf 10 m verringert.
- *10 Falls die Rohrlänge 20 m übersteigt, muss zusätzliches Kältemittel (R410A) nachgefüllt werden. (Es ist kein zusätzliches Kältemittel für eine Rohrlänge von weniger als 20 m erforderlich.)
Zusätzliches Kältemittel = A x (Rohrlänge (m) - 20)

1-3. AUSWÄHLEN OPTIONALER VERBINDUNGEN MIT VERSCHIEDENEN DURCHMESSERN

Wenn der Durchmesser des Anschlussrohrs nicht mit der Anschlussgröße am Außengerät übereinstimmt, verwenden Sie die optionalen Verbindungen für verschiedene Durchmesser entsprechend der folgenden Tabelle.

(Einheit: mm (Zoll))

Anschlussgröße am Außengerät		Optionale Verbindungen für verschiedene Durchmesser (Anschlussgröße am Außengerät → Durchmesser des Anschlussrohrs)
MXZ-2D	Flüssig / Gas	9,52 (3/8) → 12,7 (1/2) : MAC-A454JP-E Lesen Sie die Installationsanleitung des Innengerätes für den Durchmesser des Anschlussrohrs am Innengerät.
A, B GERÄT	6,35 (1/4) / 9,52 (3/8)	

1-4. WAHL DES INSTALLATIONSORTES

- Wählen Sie einen Ort, an dem das Gerät keinem starken Wind ausgesetzt ist.
- Wählen Sie einen Ort, an dem ein guter Luftstrom sichergestellt ist, der frei von Staub ist.
- An Orten, an denen Regen oder direktes Sonnenlicht bestmöglich vermieden werden können.
- Wählen Sie einen Ort, an dem Nachbarn nicht durch Betriebsgeräusche oder heiße Luft gestört werden.
- Wählen Sie einen Ort, an dem eine feste Wand oder eine feste Abstützung vorhanden ist, um eine Verstärkung von Betriebsgeräuschen und Vibrationen zu vermeiden.
- Wählen Sie einen Ort, an dem nicht die Gefahr des Austritts brennbarer Gase besteht.
- Wenn Sie das Gerät anbringen, befestigen Sie die Füße des Gerätes.
- Wählen Sie einen Ort, an dem mindestens 3 m Abstand zu einer Fernseh- oder Radioantenne vorhanden sind. In Regionen mit schwachem Empfangssignal kann der Betrieb der Klimaanlage den Rundfunk- oder Fernsehempfang stören. In diesem Fall ist möglicherweise ein Verstärker für das betroffene Gerät erforderlich.
- Installieren Sie die Anlage waagrecht.
- Installieren Sie die Anlage an einem Ort, wo keine Beeinträchtigung durch Schneefall oder verwehten Schnee gegeben ist. Bringen Sie in Gegenden mit starkem Schneefall bitte ein Vordach, einen Sockel und/oder einige Abschirmungen an.

Hinweis:

Es ist ratsam, in der Nähe des Außengerätes eine Rohrleitungsschleife einzurichten, um die von dort übertragenen Vibrationen zu verringern.

Hinweis:

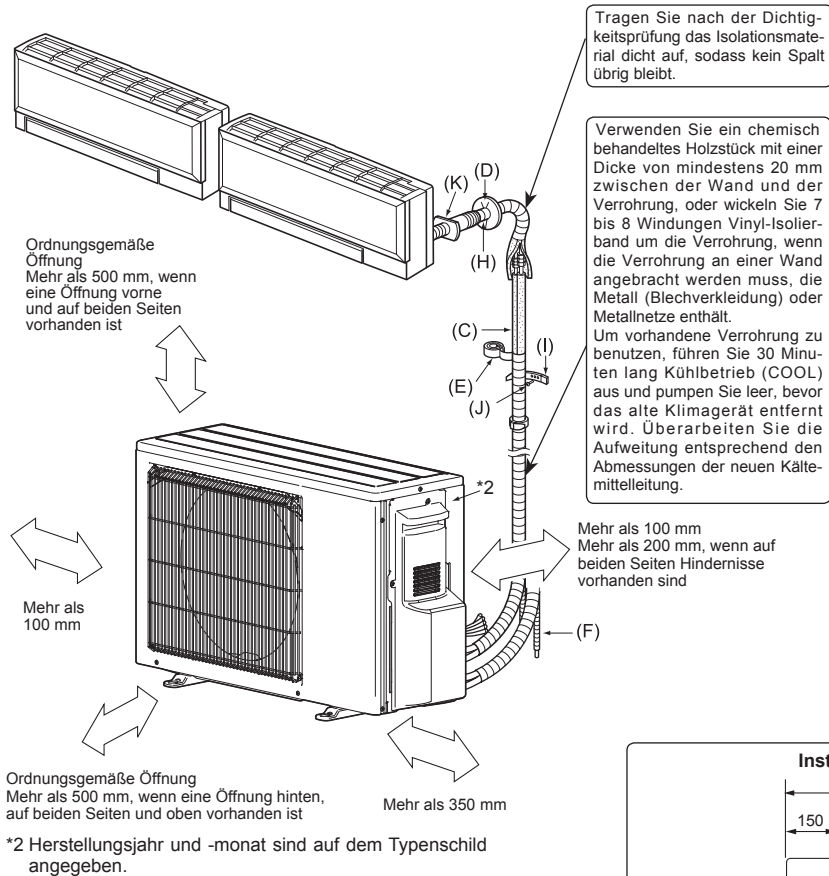
Beachten Sie die nachstehend beschriebenen Anweisungen beim Betrieb der Klimaanlage bei niedriger Außentemperatur.

- Installieren Sie das Außengerät niemals an einem Ort, an dem die Lufteinlass-/Auslassseite unmittelbar dem Wind ausgesetzt ist.
- Installieren Sie das Außengerät so, dass die Lufteinlassseite zur Wand hin zeigt, um es vor Wind zu schützen.
- Es wird empfohlen, auf der Luftauslassseite des Außengerätes eine Abschirmung anzubringen, um es vor Wind zu schützen.

Vermeiden Sie die folgenden Orte zur Installation, da es sonst zu Störungen der Klimaanlage kommen kann.

- Orte, an denen brennbare Gase ausströmen können.
- Orte, an denen viel Maschinenöl verwendet wird.
- Orte, an denen Ölspritzer auftreten oder Öldunst vorhanden ist (z.B. Küchenbereiche und Fabriken, in denen Kunststoffe ihre Eigenschaften verändern und beschädigt werden können).
- Orte mit salzhaltiger Luft (Meeresnähe).
- Orte, an welchen schwefelhaltige Gase auftreten, wie z.B. heiße Quellen.
- Orte, an denen Hochfrequenz- oder kabellose Geräte betrieben werden.
- Orte, an denen große Mengen von flüchtigen organischen Verbindungen auftreten, einschließlich Phthalat-Verbindungen, Formaldehyd usw., die zu chemischer Spaltung führen können.

1-5. INSTALLATIONSZEICHNUNG



ZUBEHÖR

Vor der Installation überprüfen, dass die folgenden Teile vorhanden sind.

(1) Ablaufstutzen	1
-------------------	---

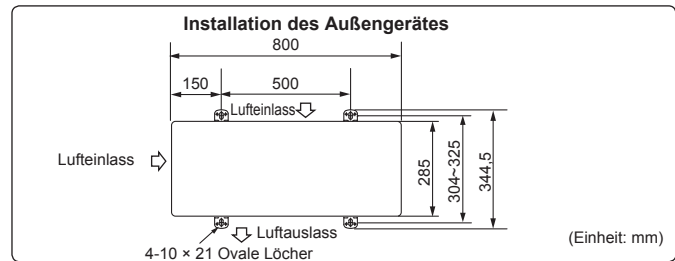
VOR ORT BEREITZUHALTENDE TEILE

(A) Netzkabel*1	1
(B) Innen-/Außengerät-Verbindungskabel*1	1
(C) Anschlussrohr	1
(D) Abdeckung der Wandöffnung	1
(E) Rohrklebeband	1
(F) Verlängerung des Ablaufschlauchs (oder Schlauch aus Weich-PVC, 15 mm Innendurchmesser oder Hart-PVC-Rohr VP16)	1
(G) Kältemittelöl	Geringe Menge
(H) Kitt	1
(I) Rohrbefestigungsband	2 bis 7
(J) Befestigungsschraube für (I)	2 bis 7
(K) Wanddurchbruchhülse	1
(L) Schlauch aus Weich-PVC, 15 mm Innendurchmesser oder Hart-PVC-Rohr VP16 für Ablaufstutzen (1)	1

Hinweis:

*1 Verlegen Sie das Innen-/Außengerät-Verbindungskabel (B) und das Netzkabel (A) in mind. 1 m Entfernung zum Fernsehantennenkabel.

Die "Anzahl" bei den Punkten (B) bis (K) in der obigen Tabelle bezieht sich auf das Innengerät.



Die Geräte müssen von autorisiertem Kundendienstpersonal gemäß örtlichen Vorschriften installiert werden.

1-6. ABLAUFROHRE FÜR AUßENGERÄT

Arbeiten an der Ablaufverrohrung nur vornehmen, wenn der Ablauf von einer Stelle aus erfolgt.

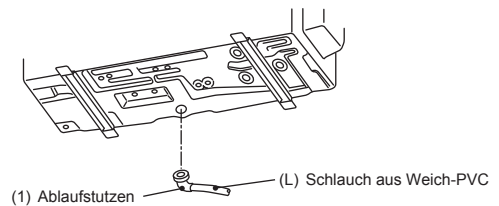
- 1) Die Ablaufrohre anbringen, bevor die Rohranschlüsse für die Innen- und Außengeräte erfolgen.
- 2) Den Schlauch aus Weich-PVC (L) i.D. 15 mm wie abgebildet anschließen.
- 3) Darauf achten, dass die Ablaufrohre für leichten Abfluss mit einem Gefälle angebracht werden.

Hinweis:

Die Anlage waagrecht installieren.

Den Ablaufstutzen (1) nicht in kalten Bereichen verwenden. Der Abfluss kann einfrieren und den Ventilator zum Abschalten bringen.

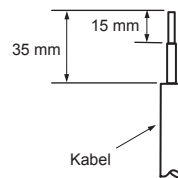
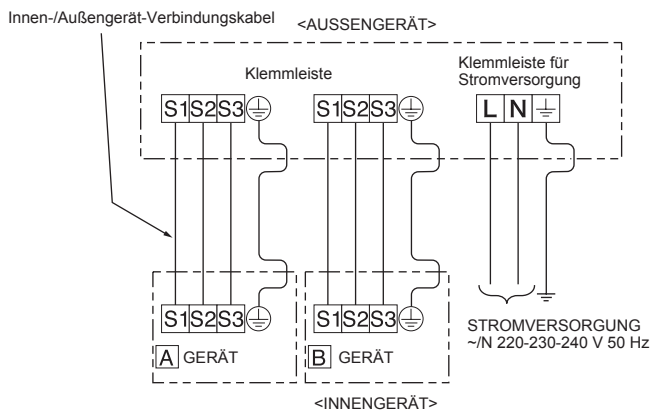
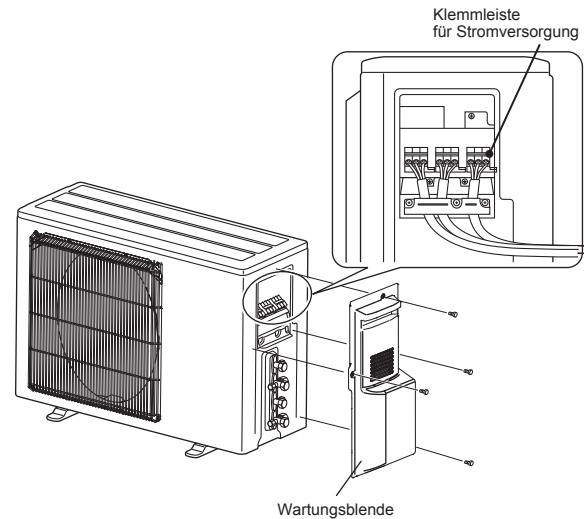
Während des Heizens entsteht an der Außenanlage Kondenswasser. Den Installationsort so wählen, dass das Außengerät und/oder der Boden nicht durch Abflaufwasser feucht werden oder durch gefrorenes Abflaufwasser beschädigt werden kann.



2. INSTALLATION DES AUSSENGERÄTES

2-1. ANSCHLUSSKABEL FÜR AUSSENGERÄT

- 1) Die Wartungsblende abnehmen.
- 2) Schraube an der Klemmleiste lösen und das vom Innengerät kommende Innen-/Außengerät-Verbindungskabel (B) richtig an die Klemmleiste anschließen. Dabei auf die richtige Verkabelung achten. Den Draht sicher in der Klemmleiste befestigen, so dass der Draht nirgendwo blank liegt und keine äußeren Kräfte auf den Verbindungsbereich der Klemmleiste wirken können.
- 3) Die Klemmschrauben fest anziehen, um ein Lösen zu vermeiden. Nach dem Festziehen leicht an den einzelnen Drähten ziehen, um sicherzustellen, dass sie sich nicht bewegen lassen.
- 4) Die Schritte 2) und 3) bei allen Innengerät ausführen.
- 5) Das Netzkabel (A) anschließen.
- 6) Das Innen-/Außengerät-Verbindungskabel (B) und das Netzkabel (A) mit den Kabelklemmen befestigen.
- 7) Die Wartungsblende vollständig schließen. Darauf achten, dass 3-2. ROHRVERBINDUNG ausgeführt wurde.
 - Nach Anschluss des Netzkabels (A) und des Innen-/Außengerät-Verbindungskabels (B) darauf achten, beide Kabel mit Kabelklemmen zu befestigen.



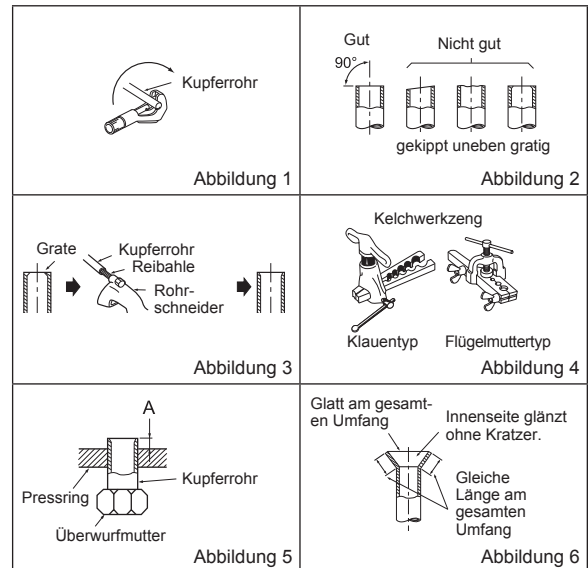
- Beim Befestigen der Kabel und/oder Drähte am Anschlussblock darauf achten, dass jede Schraube in ihre entsprechende Klemme eingeschraubt ist.
- Führen Sie die Erdungsleitung etwas länger aus als die übrigen. (Mehr als 35 mm)
- Lassen Sie die Anschlusskabel für zukünftige Wartungszwecke etwas länger als erforderlich.

3. LÖTARBEITEN UND ROHRANSCHLÜSSE

3-1. KELCHEN

- 1) Schneiden Sie das Kupferrohr sachgemäß mit einem Rohrschneider ab. (Abbildung 1, 2)
- 2) Entfernen Sie sorgfältig alle Grate vom abgeschnittenen Rohrquerschnitt. (Abbildung 3)
 - Halten Sie während der Entfernung der Grate das Kupferrohr nach unten, damit keine Späne in das Rohr fallen.
- 3) Entfernen Sie die an Innen- und Außengerät angebrachten Konusmuttern und bringen Sie sie nach dem vollständigen Entgraten am Rohr an. (Nach dem Kelchen können die Überwurfmutter nicht mehr an den Rohren angebracht werden.)
- 4) Kelchen (Abbildung 4, 5). Achten Sie darauf, dass das Kupferrohr die in der Tabelle angegebenen Abmessungen einhält. Wählen Sie A mm aus der Tabelle entsprechend dem ausgewählten Werkzeug.
- 5) Prüfen
 - Vergleichen Sie die Kelcharbeit mit Abbildung 6.
 - Schneiden Sie den aufgeweiteten Bereich ab und führen Sie die Kelcharbeit nochmals aus, wenn Sie einen Fehler in der Kelchung finden.

Rohrdurchmesser (mm)	Mutter (mm)	A (mm)			Anzugsmoment	
		Klemmwerkzeug für R410A	Klemmwerkzeug für R22	Flügelmutterwerkzeug für R22	N·m	kgf·cm
ø6,35 (1/4")	17	0 - 0,5	1,0 - 1,5	1,5 - 2,0	13,7 - 17,7	140 - 180
ø9,52 (3/8")	22				34,3 - 41,2	350 - 420
ø12,7 (1/2")	26			2,0 - 2,5	49,0 - 56,4	500 - 575
ø15,88 (5/8")	29				73,5 - 78,4	750 - 800



3-2. ROHRVERBINDUNG

- 1) Tragen Sie eine dünne Schicht Kältemittellöl (G) auf die Konusenden der Rohre und die Rohranschlüsse des Außengerätes auf.
- 2) Richten Sie die Rohrmitte auf die Rohranschlüsse des Außengerätes aus, und ziehen Sie die Konusmutter 3 bis 4 Umdrehungen von Hand an.
- 3) Ziehen Sie die Konusmutter mit einem Drehmomentschlüssel gemäß den Angaben in der Tabelle fest.
 - Durch ein zu festes Anziehen kann die Konusmutter beschädigt werden und als Folge Kältemittel austreten.
 - Umwickeln Sie die Rohre mit Isolierung. Bei direktem Kontakt mit den bloßen Rohren besteht die Gefahr von Verbrennungen oder Erfrierungen.

⚠️ WARNUNG

Schließen Sie die Kältemittelleitungen beim Installieren des Geräts fest an, bevor Sie den Kompressor einschalten.

3-3. ISOLATION UND BANDUMWICKLUNG

- 1) Decken Sie die Rohrverbindungen mit Rohrinsolation ab.
- 2) Isolieren Sie an der Außenseite gründlich alle Rohrteile und auch die Ventile.
- 3) Umwickeln Sie ab dem Einlass des Außengerätes mit Verrohrungsband (E).
 - Sichern Sie das Ende des Verrohrungsbandes (E) mit Band (mit hinzugefügtem Klebstoff).
 - Falls die Verrohrung durch die Decke, einen Schrank oder einen Raum mit hoher Temperatur und Luftfeuchtigkeit geführt werden muss, verwenden Sie zusätzliche Isolation (im Fachhandel erhältlich), um Kondensation zu vermeiden.

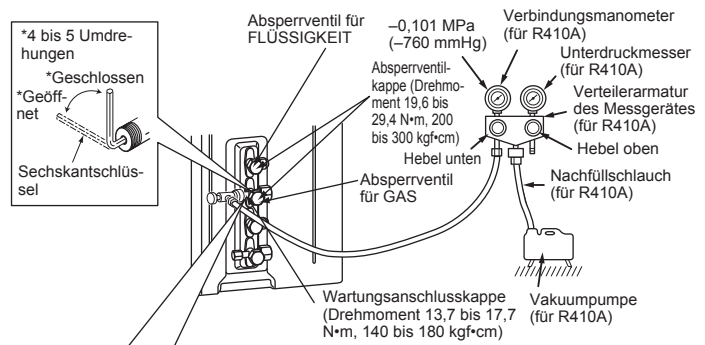
⚠️ VORSICHT

Darauf achten, dass die Muttern nicht verwendeter Anschlüsse fest angezogen sind.

4. SPÜLPROZEDUREN, LECKTEST UND TESTLAUF

4-1. SPÜLPROZEDUREN UND LECKTEST

- 1) Nehmen Sie die Wartungsanschlusskappe des Absperrventils an der Seite des Gasrohres des Außengerätes ab. (Die Absperrventile sind als Werk vollständig geschlossen und ihre Kappen sind angebracht.)
- 2) Verbinden Sie das Unterdruckmesser-Rohrverzweigungsventil und die Vakuumpumpe mit dem Wartungsanschluss des Absperrventils an der Gasrohr-Seite des Außengerätes.
- 3) Schalten Sie die Vakuumpumpe ein. (Für länger als 15 Minuten laufen lassen.)
- 4) Überprüfen Sie den Unterdruck mit dem Unterdruckmesser-Rohrverzweigungsventil und schließen Sie danach das Unterdruckmesser-Rohrverzweigungsventil; Schalten Sie anschließend die Vakuumpumpe aus.
- 5) Belassen Sie sie für ein bis zwei Minuten in diesem Zustand. Achten Sie darauf, dass der Zeiger des Unterdruckmesser-Rohrverzweigungsventils in der gleichen Position verbleibt. Vergewissern Sie sich, dass der Unterdruckmesser einen Druck von $-0,101 \text{ MPa}$ [Messur] (-760 mmHg) anzeigt.
- 6) Nehmen Sie das Unterdruckmesser-Rohrverzweigungsventil schnell vom Wartungsanschluss des Absperrventils ab.
- 7) Öffnen Sie alle Absperrventile der Gas- und Flüssigkeitsrohrleitungen vollständig. Der Betrieb mit nicht vollständig geöffneten Ventilen senkt die Leistungsfähigkeit herab und führt zu Störungen.
- 8) Lesen Sie die Punkte 1-2. und füllen Sie die erforderliche Menge an Kältemittel nach. Achten Sie darauf, flüssiges Kältemittel langsam nachzufüllen. Ansonsten kann die Zusammensetzung des Kältemittels in dem System verändert werden, wodurch die Leistung des Klimageräts beeinträchtigt wird.
- 9) Ziehen Sie die Kappe am Wartungsanschluss fest, um den Ursprungszustand wieder herzustellen.
- 10) Lecktes



Vorsichtsmaßnahmen für die Verwendung des Steuerventils

Beim Anbringen des Steuerventils an dem Wartungsanschluss kann sich der Ventileinsatz verformen oder lockern, wenn ein übermäßiger Druck ausgeübt wird. Dadurch kann ein Gasleck verursacht werden.

Vergewissern Sie sich beim Anbringen des Steuerventils an der Wartungsöffnung, dass sich der Ventileinsatz in der geschlossenen Position befindet, und ziehen Sie dann den Teil A fest. Ziehen Sie den Teil A nicht fest und drehen Sie den Körper nicht, wenn sich der Ventileinsatz in der geöffneten Position befindet.

4-2. KÄLTEMITTELEINFÜLLUNG

Gasfüllung in Gerät vornehmen.

- 1) Die Gasflasche an den Wartungsanschluss des Absperrventils anschließen.
- 2) Die Luft aus dem Rohr (bzw. Schlauch) von der Kältemittelflasche her ausblasen.
- 3) Die vorgeschriebene Kältemittelmenge nachfüllen, während die Klimaanlage im Kühlbetrieb arbeitet.

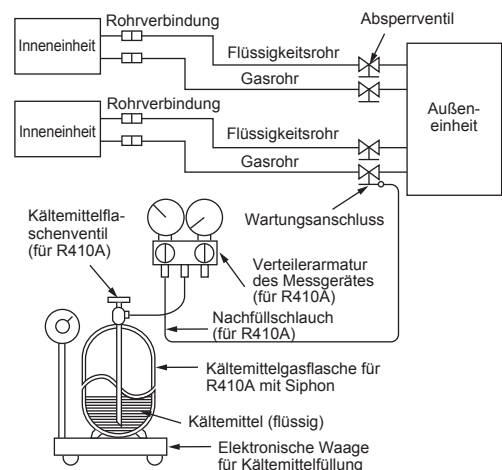
Hinweis:

Beim Nachfüllen von Kältemittel die für den Kältemittelkreislauf angegebene Menge einhalten.

VORSICHT:

Beim Nachfüllen von Kältemittel in das Kühlsystem darauf achten, dass sich das Kältemittel in flüssigem Zustand befindet. Falls sich das Kältemittel während des Nachfüllens im gasförmigen Zustand befindet, kann sich die Zusammensetzung des Kältemittels im System verändern und den normalen Betrieb der Klimaanlage beeinträchtigen. Um zudem ein Blockieren des Kompressors zu verhindern, muss das flüssige Kältemittel langsam nachgefüllt werden.

Bei kaltem Wetter den Gaszylinder mit warmem Wasser (unter 40°C) anwärmen, um den hohen Druck des Gaszylinders beizubehalten. Auf keinen Fall jedoch eine offene Flamme oder Dampf verwenden.

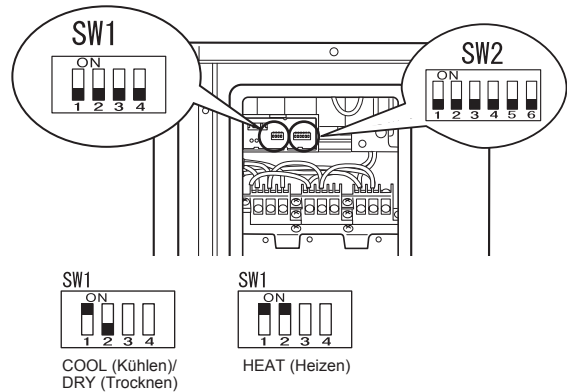


4-3. VERRIEGELUNG DER BETRIEBSART DES KLIMAGERÄTES (KÜHLEN, TROCKNEN, HEIZEN)

- Funktionsbeschreibung:
Mit dieser Funktion, sobald die Betriebsart auf COOL/DRY (Kühlen/Trocknen) oder HEAT (Heizen) verriegelt ist, arbeitet das Klimagerät nur noch in diesem Modus.
- * Es ist eine Einstellungsänderung erforderlich, um diese Funktion zu aktivieren. Bitte erklären Sie Ihrem Kunden diese Funktion und fragen Sie ihn, ob er sie nutzen möchte.

[Einstellung zur Verriegelung der Betriebsart]

- 1) Achten Sie darauf, dass das Klimagerät ausgeschaltet ist, bevor Sie diese Einstellung vornehmen.
- 2) Stellen Sie "1" am SW1 auf der Anzeigeplatte des Außengerätes auf ON, um diese Funktion einzuschalten.
- 3) Um die Betriebsart im Modus COOL/DRY zu verriegeln, stellen Sie "2" am SW1 auf der Anzeigeplatte des Außengerätes auf OFF. Um den Betrieb im HEAT-Modus zu verriegeln, stellen Sie den gleichen Schalter auf ON.
- 4) Schalten Sie die Stromversorgung des Klimagerätes ein.



4-4. BETRIEBSGERÄUSCH DES AUßENGERÄTES SENKEN

- Funktionsbeschreibung:
Mit dieser Funktion können Sie das Betriebsgeräusch des Außengerätes verringern, indem Sie die Betriebslast verringern, zum Beispiel nachts im COOL-Modus. Beachten Sie jedoch, dass die Kühl- und Heizleistung ebenfalls geringer sein kann, wenn diese Funktion aktiviert ist.
- * Es ist eine Einstellungsänderung erforderlich, um diese Funktion zu aktivieren. Bitte erklären Sie Ihrem Kunden diese Funktion und fragen Sie ihn, ob er sie nutzen möchte.

[Absenken des Betriebsgeräuschs]

- 1) Achten Sie darauf, dass das Klimagerät ausgeschaltet ist, bevor Sie diese Einstellung vornehmen.
- 2) Stellen Sie "3" am SW1 auf der Anzeigeplatte des Außengerätes auf ON, um diese Funktion einzuschalten.
- 3) Schalten Sie die Stromversorgung des Klimagerätes ein.



4-5. TESTLAUF

- Die Testläufe für die Innengeräte sollten einzeln durchgeführt werden. Siehe Installationsanleitung im Lieferumfang des Innengerätes, und achten Sie darauf, dass alle Geräte ordnungsgemäß arbeiten.
- Wenn der Testlauf für alle Innengeräte gleichzeitig erfolgt, lässt sich ein möglicherweise vorliegender fehlerhafter Anschluss der Kältemittelrohre und der Innen-/Außengerät-Verbindungskabel nicht feststellen. Führen Sie daher die Testläufe einzeln nacheinander durch.

Stellen Sie sicher, dass folgendes erfüllt ist.

- Das Gerät wird mit Strom versorgt.
- Die Absperrventile sind geöffnet.

Über die Startwiederholungsschutzvorrichtung

Sobald der Kompressor sich ausschaltet, arbeitet die Vorrichtung zur Verhinderung einer Startwiederholung. Daher arbeitet der Kompressor 3 Minuten lang nicht, um die Klimaanlage zu schützen.

4-6. ERLÄUTERUNGEN FÜR DEN BENUTZER

- Erklären Sie dem Benutzer unter Verwendung der BEDIENUNGSANLEITUNG, wie das Klimagerät verwendet wird (wie die Fernbedienung verwendet wird, wie die Luftfilter entfernt werden, wie die Fernbedienung aus dem Fernbedienungshalter entnommen und wieder eingesetzt wird, wie das Gerät gereinigt wird, welche Vorsichtsmaßnahmen zu beachten sind, usw.).
- Empfehlen Sie dem Benutzer, die BEDIENUNGSANLEITUNG sorgfältig zu lesen.

5. LEERPUMPEN

Wenn Sie das Klimagerät für eine Neuaufstellung oder Entsorgung abmontieren, pumpen Sie das System mit folgenden Bedienungsschritten leer, so dass kein Kältemittel in die Atmosphäre gelangt.

- 1) Schalten Sie die Sicherung aus.
- 2) Verbinden Sie das Unterdruckmesser-Rohrverzweigungsventil mit dem Wartungsanschluss des Absperrventils an der Gasrohr-Seite des Außengerätes.
- 3) Schließen Sie das Absperrventil auf der Flüssigkeitsrohr-Seite des Außengerätes vollständig.
- 4) Schalten Sie die Sicherung ein.
- 5) Starten Sie den Notkühlbetrieb (COOL-Modus) an allen Innengeräten.
- 6) Wenn der Unterdruckmesser 0,05 bis 0 MPa [Messert] anzeigt (etwa 0,5 bis 0 kgf/cm²), schließen Sie das Absperrventil auf der Gasrohr-Seite des Außengerätes vollständig und stoppen Sie den Betrieb. (Informationen zum Stoppen des Betriebs finden Sie in der Installationsanleitung des Innengerätes.)
 - * Wenn der Klimaanlage zuviel Kältemittel hinzugefügt wurde, kann es sein, dass der Druck nicht unter 0,05 MPa [Messert] fällt (etwa 0,5 kgf/cm²), oder dass aufgrund des erhöhten Drucks im Hochdruck-Kältemittelkreislauf die Schutzfunktion aktiv wird. Falls dies passiert, verwenden Sie einen Sammelbehälter für das Kältemittel, in welchem Sie das gesamte Kältemittel des Systems sammeln, und befüllen Sie dann das System mit der richtigen Kältemittelmenge, nachdem die Innen-/Außengeräte fertig installiert wurden.
- 7) Schalten Sie die Sicherung aus. Entfernen Sie den Unterdruckmesser und die Kältemittelleitungen.

⚠ WARNUNG

Schalten Sie beim Abpumpen des Kältemittels den Kompressor ab, bevor die Kältemittelleitungen getrennt werden.
Der Kompressor kann bersten und Verletzungen verursachen, wenn irgendeine andere Substanz, wie z. B. Luft, in die Leitungen gelangt.

TABLE DES MATIERES

1. AVANT L'INSTALLATION.....	1
2. INSTALLATION DE L'APPAREIL EXTÉRIEUR.....	4
3. TRAVAUX D'ÉVASEMENT ET RACCORDEMENT DES TUYAUX.....	4
4. PROCÉDURES DE PURGE, TEST DE CONTRÔLE DES FUITES ET ESSAI DE FONCTIONNEMENT.....	5
5. PURGE.....	6

Outils nécessaires à l'installation

Tournevis Phillips	Outil d'évasement pour le modèle
Niveau	R410A
Règle graduée	Tubulure de jauge pour le modèle
Couteau tout usage ou paire de ciseaux	R410A
Clé dynamométrique	Pompe à vide pour le modèle R410A
Clé à ouverture fixe (ou clé simple)	Tuyau de charge pour le modèle R410A
Clé hexagonale de 4 mm	Coupe-tuyau avec alésoir

1. AVANT L'INSTALLATION

1-1. INSTRUCTIONS A RESPECTER A TOUT MOMENT PAR MESURE DE SECURITE

- Veuillez lire les "INSTRUCTIONS A RESPECTER A TOUT MOMENT PAR MESURE DE SECURITE" avant de procéder à l'installation du climatiseur.
- Veuillez respecter scrupuleusement les mises en garde contenues dans cette notice car elles concernent des points essentiels à la sécurité.
- Après avoir lu la présente notice, veuillez la conserver avec les NOTICE D'UTILISATION de l'appareil pour pouvoir la consulter ultérieurement.

⚠ AVERTISSEMENT (Peut entraîner la mort, des blessures graves, etc.)

- **N'installez jamais l'unité seul (utilisateur).**
Une installation incomplète peut être à l'origine d'un incendie, d'une électrocution, de blessures suite à la chute de l'appareil ou de fuites d'eau. Consulter un revendeur local ou un installateur agréé.
- **Exécuter les travaux d'installation en toute sécurité conformément aux instructions de la notice d'installation.**
Une installation incomplète peut être à l'origine d'un incendie, d'une électrocution, de blessures suite à la chute de l'appareil ou de fuites d'eau.
- **Lors de l'installation de l'appareil, utiliser l'équipement de protection et les outils adéquats, par mesure de sécurité.**
Le non-respect de ces recommandations peut être à l'origine de blessures.
- **Par mesure de sécurité, installer l'appareil dans un endroit capable de supporter son poids.**
Si l'appareil est installé dans un endroit incapable de supporter son poids, il pourrait tomber et blesser quelqu'un.
- **Tout travail sur le système électrique doit être exécuté par un électricien qualifié et expérimenté conformément au manuel d'installation. Veiller à utiliser un circuit exclusif. Ne raccorder aucun autre appareil électrique sur le circuit du climatiseur.**
Un circuit électrique de capacité insuffisante ou une installation incorrecte peuvent être à l'origine d'un incendie ou d'une électrocution.
- **Pour éviter toute détérioration, veillez à ce que les pièces et les vis n'exercent pas de pression excessive sur les câbles.**
Des fils endommagés pourraient provoquer un incendie ou une électrocution.
- **Toujours couper l'alimentation principale lors de l'installation de la carte à circuits imprimés du panneau de commande de l'unité interne ou lors d'une intervention sur le câblage électrique.**
Le non-respect de ces recommandations peut être à l'origine d'une électrocution.
- **Utiliser les câbles spécifiés pour raccorder en toute sécurité les unités interne et externe et fixer les câbles solidement aux sections de raccordement des blocs de sorties de façon à ce qu'ils n'exercent aucune pression sur les sections de raccordement. Ne pas prolonger les fils ni utiliser de connexion intermédiaire.**
Un branchement incomplet et non sécurisé peut provoquer un incendie.
- **Ne pas installer l'appareil dans un endroit exposé à des fuites de gaz inflammable.**
La fuite et l'accumulation de gaz autour de l'appareil peut entraîner des risques d'explosion.
- **Ne pas utiliser de raccord intermédiaire ou de rallonge pour brancher le cordon d'alimentation et ne pas brancher plusieurs appareils à une même prise secteur.**
Un mauvais contact, une isolation insuffisante, un courant trop fort, etc. peuvent entraîner des risques d'incendie ou d'électrocution, etc.
- **Veiller à utiliser les pièces fournies ou spécifiées dans la notice lors des travaux d'installation.**
L'utilisation de pièces défectueuses peut être à l'origine de blessures corporelles ou d'une fuite d'eau suite à un incendie, une électrocution, la chute de l'appareil, etc.
- **Au moment de brancher la fiche d'alimentation dans la prise secteur, veiller à dépoussiérer et nettoyer la fiche et la prise en contrôlant qu'aucun élément n'est desserré. S'assurer que la fiche d'alimentation est enfoncée à fond dans la prise secteur.**
La présence de poussière, de saleté ou d'éléments desserrés dans la fiche d'alimentation ou la prise secteur peut être à l'origine d'une électrocution ou d'un incendie. Contrôler la fiche d'alimentation et remplacer les éléments desserrés éventuels.
- **Fixer correctement le couvercle du boîtier électrique de l'unité interne et le panneau de service de l'unité externe.**
Si le couvercle du boîtier électrique de l'unité interne et/ou le panneau de service de l'unité externe sont mal fixés, ils risquent de provoquer un incendie ou une électrocution en raison de la poussière, de l'eau, etc. présentes dans le circuit.
- **Lors de l'installation, du déplacement ou de l'entretien de l'appareil, veiller à ce qu'aucune substance autre que le réfrigérant spécifié (R410A) ne pénètre dans le circuit de réfrigération.**
La présence d'une substance étrangère, comme de l'air dans le circuit, peut provoquer une augmentation anormale de la pression et causer une explosion, voire des blessures. L'utilisation de réfrigérant autre que celui qui est spécifié pour le système provoquera une défaillance mécanique, un mauvais fonctionnement du système, ou une panne de l'appareil. Dans le pire des cas, la sécurité du produit pourrait être gravement mise en danger.
- **Ne libérez pas le réfrigérant dans l'atmosphère. En cas de fuite de réfrigérant pendant l'installation, aérez la pièce.**
Tout contact entre le réfrigérant et une flamme pourrait provoquer l'émission de gaz toxiques. Des fuites de réfrigérant peuvent provoquer une asphyxie. Installez un système d'aération conformément à la norme EN378-1.
- **A la fin de l'installation, aucune fuite de réfrigérant ne doit être présente sur le circuit.**
En cas de fuite de réfrigérant dans une pièce, et si le réfrigérant entre en contact avec la partie chauffante d'un appareil de chauffage à ventilation, chauffage d'appoint, poêle, etc., des substances toxiques peuvent se dégager.
- **Utiliser les outils et l'équipement de tuyauterie adaptés à l'installation.**
La pression du réfrigérant R410A est 1,6 fois supérieure à celle du R22. L'utilisation d'outils ou d'équipements inadaptés et une installation incomplète peuvent provoquer l'éclatement des tuyaux et blesser quelqu'un.
- **Pendant l'opération d'aspiration du réfrigérant, arrêter le compresseur avant de débrancher les tuyaux de réfrigérant.**
Si les tuyaux de réfrigérant sont débranchés avant l'arrêt du compresseur et si le robinet d'arrêt est ouvert, de l'air pourrait être aspiré et la pression du cycle de réfrigération pourrait monter de façon anormale. Les tuyaux pourraient éclater et blesser quelqu'un.
- **Pendant l'installation de l'appareil, brancher correctement les tuyaux de réfrigérant avant de lancer le compresseur.**
Si le compresseur démarre avant le branchement des tuyaux de réfrigérant et si le robinet d'arrêt est ouvert, de l'air pourrait être aspiré et la pression du cycle de réfrigération pourrait monter de façon anormale. Les tuyaux pourraient éclater et blesser quelqu'un.
- **Fixer un écrou évasé avec une clé dynamométrique comme indiqué dans cette notice.**
Si l'écrou évasé est trop serré, il pourrait se rompre au bout de plusieurs années et provoquer une fuite de réfrigérant.
- **L'installation de l'appareil doit être conforme aux normes électriques nationales.**
- **Raccordez correctement l'unité à la terre.**
Ne pas raccorder le câble de terre à un tuyau de gaz, une conduite d'eau, un paratonnerre ou le câble de terre d'un téléphone. Une mise à la terre défectueuse pourrait entraîner un risque d'électrocution.
- **Veillez à installer un disjoncteur de fuites à la terre.**
L'absence de disjoncteur de fuites à la terre peut avoir comme conséquence un choc électrique ou un incendie.

⚠ PRECAUTION (Peut provoquer des blessures graves dans certains environnements si l'appareil n'est pas utilisé correctement.)

- **Réaliser les travaux de vidange/tuyauterie conformément aux instructions de la notice d'installation.**
Si les travaux de vidange/tuyauterie ne sont pas réalisés correctement, de l'eau pourrait s'écouler et endommager le mobilier qui se trouve sous l'appareil.
- **Ne toucher ni à l'entrée d'air ni aux ailettes en aluminium de l'unité externe.**
Risque de blessures.
- **Ne pas installer l'unité externe à proximité de l'habitat d'animaux de petite taille.**
Si des animaux de petite taille pénètrent dans l'unité et entrent en contact avec les composants électriques, ils pourraient provoquer un dysfonctionnement, des émissions de fumée ou un incendie. Il convient également de conseiller à l'utilisateur de nettoyer régulièrement la périphérie de l'unité.

1-2. FICHE TECHNIQUE

Modèle	Alimentation *1			Caractéristiques des câbles *2		Longueur des tuyaux et différence de hauteur *3, *4, *5, *6, *7, *8				Niveau sonore appareil ext.	
	Tension nominale	Fréquence	Puissance électrique du disjoncteur	Alimentation	Câble de connexion de l'unité interne/externe	Longueur max. des tuyaux par appareil intérieur / pour système à plusieurs appareils	Différence de hauteur max. *9	Nombre max. de coudes par appareil intérieur / pour système à plusieurs appareils	Dosage du réfrigérant A *10	Refroidissement	Chauffage
MXZ-2D33VA	220-230-240 V	50 Hz	10 A	3 noyaux de 1,0 mm ²	4 noyaux de 1,0/1,5 mm ²	15 m / 20 m	10 m	15 / 20	20 g/m	49 dB(A)	50 dB(A)
MXZ-2D42VA2			15 A	3 noyaux de 2,0 mm ²		20 m / 30 m	15 m	20 / 30		46 dB(A)	51 dB(A)
MXZ-2D53VA(H)2											50 dB(A)

Remarque :

Voir le tableau pour les combinaisons possibles (numéro de référence de service).

Pour le raccordement de l'appareil intérieur de la série MFZ-KJ à cet appareil extérieur, augmentez la charge de réfrigérant conformément aux instructions du tableau ci-dessous.

MXZ-2D33VA

Nbre d'appareils intérieurs MFZ-KJ	Longueur des tuyaux (L)		Quantité maximum de réfrigérant
	~ 20 m		
1 appareil	100 g supplémentaires (Total 1250 g)		1250 g
2 appareils	Non disponible (Un seul appareil intérieur de la série MFZ-KJ peut être raccordé.)		

Nbre d'appareils intérieurs MFZ-KJ	Longueur des tuyaux (L)		Quantité maximum de réfrigérant
	~ 20 m	~ 30 m	
1 appareil	100 g supplémentaires (Total 1400 g)	100 g + {(L -20) m x 20 g/m}	1600 g
2 appareils	200 g supplémentaires (Total 1500 g)	200 g + {(L -20) m x 20 g/m}	1700 g

- *1 Raccordez à l'interrupteur d'alimentation qui présente un espace de 3 mm minimum lorsqu'il est en position ouverte pour interrompre la phase d'alimentation de la source. (Lorsque l'interrupteur d'alimentation est en position fermée, toutes les phases doivent être interrompues.)
- *2 Utilisez des câbles conformes au modèle 60245 IEC 57. Utilisez le câble de connexion de l'unité interne/externe conforme aux caractéristiques techniques spécifiées dans le manuel d'installation de l'unité intérieure.
- *3 N'utilisez jamais des tuyaux dont l'épaisseur est inférieure à celle recommandée. Leur résistance à la pression serait insuffisante.
- *4 Utilisez un tuyau en cuivre ou en alliage de cuivre sans soudure.
- *5 Veillez à ne pas écraser ou tordre le tuyau lors du cintrage.

- *6 Le rayon du cintrage d'un tuyau de réfrigérant doit être de 100 mm minimum.
- *7 Matériau d'isolation : mousse plastique résistante à la chaleur d'une densité de 0,045
- *8 Utilisez toujours un matériau isolant de l'épaisseur spécifiée. Une isolation trop épaisse pourrait être à l'origine d'une installation incorrecte de l'unité interne alors qu'une isolation trop fine pourrait provoquer des fuites.
- *9 Si l'appareil extérieur est plus haut que l'appareil intérieur, la différence de hauteur max. est limitée à 10 m.
- *10 Si la longueur du tuyau dépasse 20 m, une quantité supplémentaire de réfrigérant (R410A) doit être ajoutée. (Aucune quantité supplémentaire n'est nécessaire pour une longueur de tuyau inférieure à 20 m.)
Quantité supplémentaire de réfrigérant = A x (longueur de tuyau (m) – 20)

1-3. SÉLECTION DE JOINTS DE DIAMÈTRE DIFFÉRENT EN OPTION

Si le diamètre des tuyaux de connexion ne correspond pas au diamètre de passage de l'appareil extérieur, utiliser des joints de diamètre différent en option selon le tableau suivant.

(Unité : mm (pouce))

Diamètre de passage de l'appareil extérieur		Joint de diamètre différent en option (diamètre de passage de l'appareil extérieur → diamètre du tuyau de connexion)
MXZ-2D	Liquide / Gaz	9,52 (3/8) → 12,7 (1/2) : MAC-A454JP-E
A, B APPAREILS	6,35 (1/4) / 9,52 (3/8)	Se reporter au manuel d'installation de l'appareil intérieur pour connaître le diamètre du tuyau de connexion de l'appareil intérieur.

1-4. CHOIX DE L'EMPLACEMENT D'INSTALLATION

- Emplacement ne favorisant pas une exposition à des vents violents.
- Emplacement favorisant une bonne circulation d'air sans poussière excessive.
- Emplacement ne favorisant pas une exposition à la pluie ou aux rayons directs du soleil.
- Emplacement ne générant pas de nuisance pour le voisinage (bruit de fonctionnement ou pulsation d'air chaud).
- Emplacement sur un mur ou un support rigides pour éviter toute propagation du bruit de fonctionnement ou vibration de l'appareil.
- Emplacement qui ne risque pas d'être exposé à des fuites de gaz combustible.
- Lors de l'installation, pensez à fixer les supports de l'appareil.
- Emplacement à 3 m minimum de l'antenne TV ou radio. Le fonctionnement du climatiseur peut interférer avec la réception des ondes radio ou TV dans des régions où la réception est faible. Il peut s'avérer nécessaire de brancher un amplificateur sur l'appareil concerné.
- Toujours installer l'appareil à l'horizontale.
- Installer le climatiseur dans un endroit à l'abri du vent et de la neige. Dans un endroit soumis à de fortes chutes de neige, installer un abri, un socle et/ou des écrans de protection.

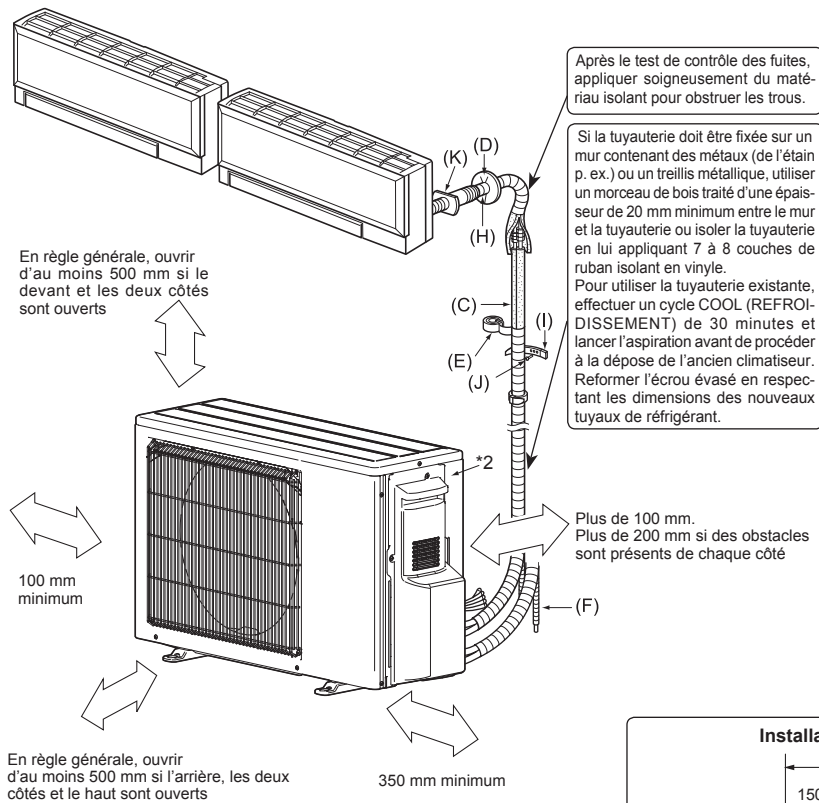
Remarque :

Il est conseillé de faire une boucle avec le tuyau le plus près possible de l'unité externe de façon à réduire les vibrations transmises par l'unité.

Remarque :

- Si vous utilisez le climatiseur alors que la température extérieure est basse, veillez à observer les instructions ci-dessous.
- N'installez jamais l'unité externe dans un endroit où le côté présentant l'entrée/la sortie d'air risque d'être directement exposé au vent.
 - Pour protéger l'unité externe du vent, installez-la de façon à ce que l'entrée d'air soit face au mur.
 - Pour éviter toute exposition au vent, il est recommandé d'installer un écran de protection du côté de la sortie d'air de l'unité externe.
- Pour éviter tout problème de fonctionnement, évitez d'installer le climatiseur dans les endroits suivants :
- En présence de fuites de gaz inflammable.
 - En présence d'une grande quantité d'huile de machine.
 - Dans des endroits exposés à des projections d'huile ou dont l'atmosphère est chargée d'huile (tels que les centres de cuisson et les usines susceptibles de modifier et d'altérer les caractéristiques du plastique).
 - Dans les régions où l'air est très salin, comme en bord de mer.
 - En présence de gaz sulfurique, comme dans les stations thermales.
 - En présence d'équipements haute fréquence ou sans fil.
 - En présence d'émissions importantes de COV (composés organiques volatiles), dont les composés de phtalate, le formaldéhyde etc., qui peuvent provoquer un craquage chimique.

1-5. SCHÉMA D'INSTALLATION



*2 L'année et le mois de fabrication sont indiqués sur la plaque des spécifications.

ACCESSOIRES

Contrôler les pièces suivantes avant l'installation.

(1)	Douille d'évacuation	1
-----	----------------------	---

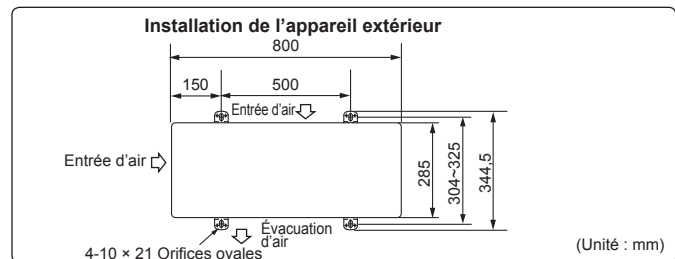
PIÈCES À FOURNIR SUR PLACE

(A)	Câble d'alimentation*1	1
(B)	Câble de connexion intérieur/extérieur*1	1
(C)	Tuyau télescopique	1
(D)	Cache de l'orifice mural	1
(E)	Ruban de tuyauterie	1
(F)	Rallonge du tuyau flexible d'évacuation (ou tuyau flexible de chlorure de vinyle d'un diamètre intérieur de 15 mm ou tuyau VP16 de chlorure de vinyle)	1
(G)	Huile réfrigérante	Petite quantité
(H)	Mastic	1
(I)	Attache de fixation pour tuyau	2 à 7
(J)	Vis de fixation pour (I)	2 à 7
(K)	Manchon d'ouverture murale	1
(L)	Tuyau flexible en PVC (chlorure de vinyle) d'un diamètre intérieur de 15 mm ou tuyau rigide VP16 en PVC pour la douille d'évacuation (1)	1

Remarque :

*1 Placer le câble de connexion intérieur/extérieur (B) et le câble d'alimentation (A) à 1 m minimum du câble de l'antenne TV.

La "quantité" pour (B) à (K) ci-dessus est la quantité à utiliser pour l'appareil intérieur.



Ces appareils doivent être installés par des entrepreneurs agréés conformément aux réglementations locales en vigueur.

1-6. TUYAU DE VIDANGE DE L'APPAREIL EXTERIEUR

Veillez procéder aux travaux d'écoulement à partir d'un seul endroit.

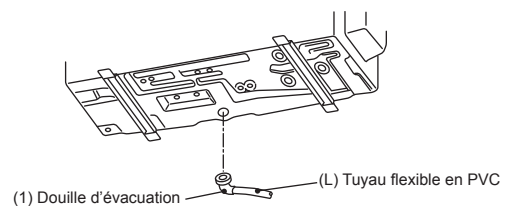
- 1) Installez le tuyau de vidange avant de raccorder la tuyauterie des appareils intérieurs et extérieurs.
- 2) Branchez le tuyau flexible en PVC (L) d'un diamètre intérieur de 15 mm comme indiqué sur l'illustration.
- 3) Veillez à orienter le tuyau de vidange vers le bas pour faciliter le flux de vidange.

Remarque :

Toujours installer l'appareil à l'horizontale.

N'utilisez pas la douille de vidange (1) dans les régions froides. Le liquide évacué pourrait geler et provoquer l'arrêt du ventilateur.

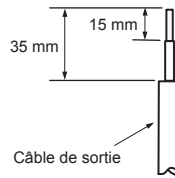
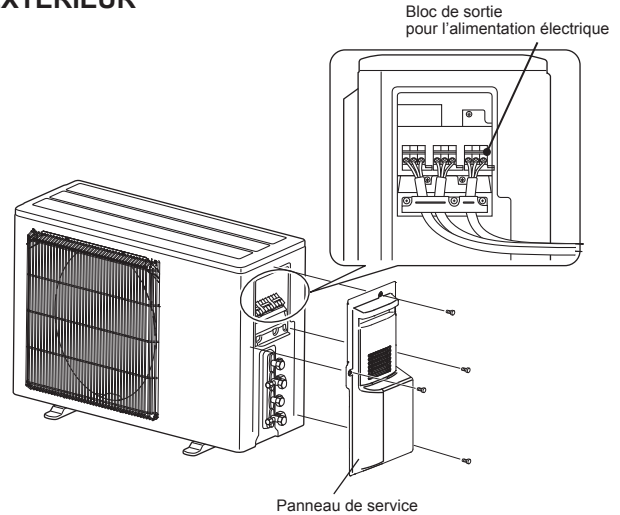
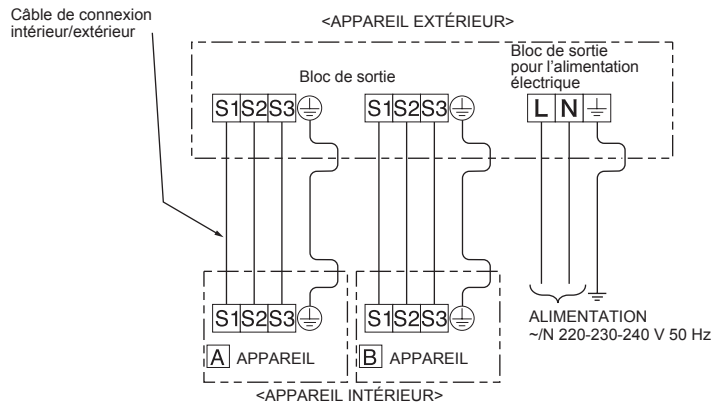
L'unité extérieure produit de la condensation en mode de chauffage. Choisir l'endroit où le climatiseur sera monté de manière à éviter que l'unité extérieure et/ou les sols ne soient mouillés par l'eau d'évacuation ou endommagés en cas de gel de cette dernière.



2. INSTALLATION DE L'APPAREIL EXTÉRIEUR

2-1. BRANCHEMENT DES CÂBLES DE L'APPAREIL EXTÉRIEUR

- Retirer le panneau de service.
- Retirer la vis de fixation du bloc de sortie et connecter le câble de connexion intérieur/extérieur (B) depuis l'appareil intérieur au bloc de sortie. Veiller à ne pas effectuer d'erreur de branchement. Fixer fermement le câble au bloc de sortie pour ne faire apparaître aucune partie de son noyau et n'appliquer aucune force extérieure à la section de raccordement du bloc de sortie.
- Serrer fermement les vis de fixation du bloc de sortie afin d'éviter tout faux contact. Après l'opération de serrage, tirer légèrement sur les câbles pour s'assurer qu'ils sont bien fixés.
- Effectuer les étapes 2) et 3) pour chaque appareil intérieur.
- Brancher le câble d'alimentation (A).
- Fixer le câble de connexion intérieur/extérieur (B) et le câble d'alimentation (A) avec les colliers de câble.
- Refermer le panneau de service. Vérifier que l'étape 3-2. RACCORDEMENT DES TUYAUX a été effectuée.
 - Une fois les connexions effectuées entre le câble d'alimentation (A) et le câble de connexion intérieur/extérieur (B), veiller à fixer les deux câbles avec les colliers de câble.



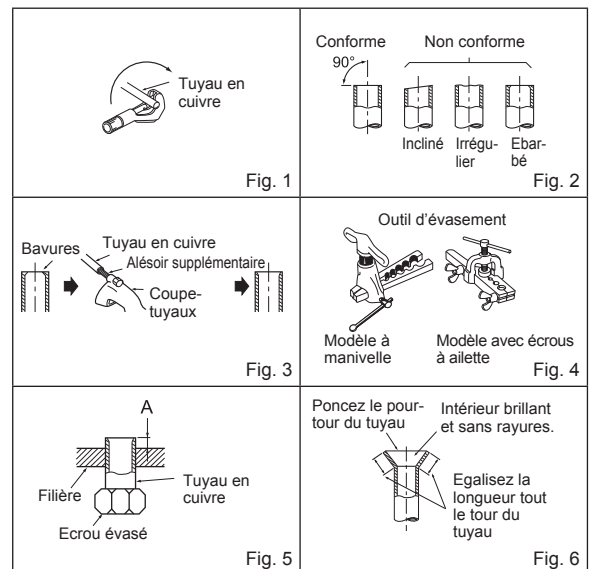
- Lors du raccordement du cordon et/ou du fil au bloc de sortie, veiller à fixer chaque vis à la borne correspondante.
- Veiller à ce que le fil de terre soit plus long que les autres. (plus de 35 mm)
- Prévoir une longueur de câble de connexion supplémentaire en vue d'entretiens ultérieurs.

3. TRAVAUX D'ÉVASEMENT ET RACCORDEMENT DES TUYAUX

3-1. TRAVAUX D'ÉVASEMENT

- Coupez correctement le tuyau en cuivre avec un coupe-tuyaux. (Fig. 1, 2)
- Ebarbez parfaitement la partie tronçonnée du tuyau. (Fig. 3)
 - Dirigez le tuyau en cuivre vers le bas lors de l'ébarbage de façon à éviter que les bavures ne pénètrent dans le tuyau.
- Retirez les écrous à évasement fixés sur les unités interne et externe, puis posez-les sur le tuyau après avoir éliminé toutes les bavures. (Il est impossible de les poser après les travaux d'évasement.)
- Travaux d'évasement (Fig. 4, 5). Tenez fermement le tuyau de cuivre dans la dimension indiquée dans le tableau. Sélectionnez A en mm dans le tableau en fonction de l'outil que vous utilisez.
- Contrôle
 - Comparez les travaux d'évasement avec la Fig. 6.
 - Si l'évasement n'est pas conforme à l'illustration, coupez la partie évasée et refaites l'évasement.

Diamètre du tuyau (mm)	Ecroû (mm)	A (mm)			Couple de serrage	
		Outil type d'embrayage pour le modèle R410A	Outil type d'embrayage pour le modèle R22	Ecroû à oreilles pour le modèle R22	N·m	kgf·cm
ø6,35 (1/4")	17	0 - 0,5	1,0 - 1,5	1,5 - 2,0	13,7 - 17,7	140 - 180
ø9,52 (3/8")	22			34,3 - 41,2	350 - 420	
ø12,7 (1/2")	26			49,0 - 56,4	500 - 575	
ø15,88 (5/8")	29			73,5 - 78,4	750 - 800	



3-2. RACCORDEMENT DES TUYAUX

- 1) Appliquez une fine couche d'huile réfrigérante (G) sur les embouts évasés des tuyaux ainsi que sur les raccords de tuyau de l'appareil extérieur.
- 2) Alignez la partie médiane du tuyau sur les raccords de tuyau de l'appareil extérieur et serrez les écrous évasés à la main de 3 à 4 tours.
- 3) Serrez l'écrou évasé avec une clé dynamométrique comme indiqué dans le tableau.
 - Un serrage excessif pourrait endommager l'écrou évasé et provoquer une fuite de réfrigérant.
 - Veillez à protéger la tuyauterie avec une gaine isolante. Tout contact direct avec la tuyauterie nue peut se traduire par des brûlures ou des engelures.

⚠ AVERTISSEMENT
 Pendant l'installation de l'appareil, branchez correctement les tuyaux de réfrigérant avant de lancer le compresseur.

3-3. ISOLATION THERMIQUE ET RUBANAGE

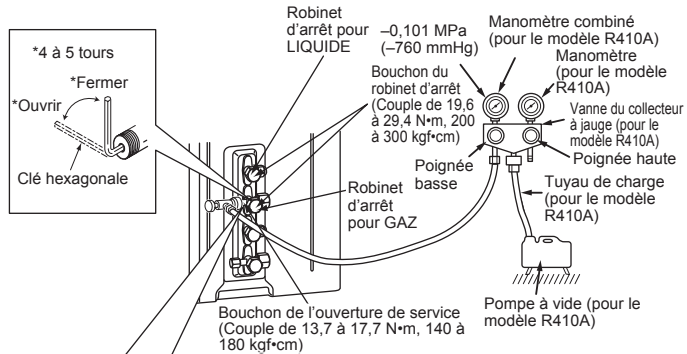
- 1) Recouvrez les raccords de tuyauterie d'une bande isolante pour tuyaux.
- 2) Du côté de l'unité externe, isolez correctement chaque tuyau, vannes incluses.
- 3) Raccordez la vanne du collecteur à jauge et la pompe à vide à l'entrée de l'unité externe.
 - Collez l'extrémité du ruban adhésif (E) (avec le produit adhésif fourni).
 - Si la tuyauterie doit passer dans le plafond, les toilettes ou dans un endroit où la température et l'humidité sont élevées, ajoutez une couche supplémentaire de bande isolante disponible dans le commerce pour éviter toute formation de condensation.

⚠ PRECAUTION
 Lorsque certains orifices ne sont pas utilisés, veuillez les obstruer en serrant correctement leur écrou respectif.

4. PROCEDURES DE PURGE, TEST DE CONTROLE DES FUITES ET ESSAI DE FONCTIONNEMENT

4-1. PROCEDURES DE PURGE ET TEST DE CONTROLE DES FUITES

- 1) Retirez le bouchon de l'ouverture de service du robinet d'arrêt du côté du conduit de gaz de l'unité externe. (A l'origine, les robinets d'arrêt sont complètement fermés et recouverts d'un capuchon.)
- 2) Raccordez la vanne du collecteur à jauge et la pompe à vide à l'ouverture de service du robinet d'arrêt du côté du conduit de gaz de l'unité externe.
- 3) Mettez la pompe à vide en marche. (Faites le vide pendant 15 minutes minimum.)
- 4) Contrôlez la dépression ainsi obtenue avec la vanne du collecteur à jauge, puis fermez la vanne et arrêtez la pompe à vide.
- 5) Patientez pendant une minute ou deux. Assurez-vous que l'aiguille de la vanne du collecteur à jauge reste dans la même position. Vérifiez que le manomètre indique une pression de -0,101 MPa [Jauge] (-760 mmHg).
- 6) Retirez rapidement la vanne du collecteur à jauge de l'ouverture de service du robinet d'arrêt.
- 7) Ouvrez complètement les robinets d'arrêt des tuyaux de liquide et de gaz. La mise en service sans ouvrir complètement les robinets d'arrêt diminue le rendement de l'unité et peut être source de panne.
- 8) Reportez-vous aux étapes 1-2. et chargez la quantité de réfrigérant recommandée si nécessaire. Veillez à charger lentement le liquide réfrigérant. Sinon, la composition de réfrigérant dans le système peut changer et affecter les performances du climatiseur.
- 9) Serrez le bouchon de l'ouverture de service pour recréer les conditions d'origine.
- 10) Test de contrôle des fuites.



Précautions à prendre lors de l'utilisation de la vanne de commande

Lorsque vous fixez la vanne de commande à l'ouverture de service, le noyau de vanne peut se déformer ou se relâcher en cas de pression excessive. Cela peut entraîner une fuite de gaz.

Lorsque vous fixez la vanne de commande à l'ouverture de service, veillez à ce que le noyau de vanne soit en position fermée, puis serrez la partie A. Ne serrez pas la partie A ou ne tournez pas le corps lorsque le noyau de vanne est en position ouverte.

Labels in diagram:

- Ouverture de service
- Vanne de commande
- Ouvrir
- Fermer
- A
- Corps
- Tuyau de charge (pour le modèle R410A)

4-2. RECHARGE DE GAZ

Charger du gaz pour l'appareil.

- 1) Relier la bouteille de gaz sur l'orifice de service du robinet d'arrêt.
- 2) Effectuer la purge d'air de la canalisation (ou du flexible) venant du cylindre de réfrigérant.
- 3) Charger la quantité de réfrigérant spécifiée tout en laissant fonctionner le climatiseur en mode de refroidissement.

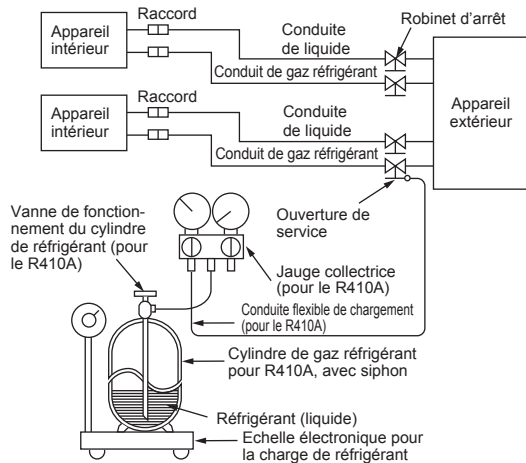
Remarque :

En cas d'ajout de réfrigérant, respecter la quantité précisée pour le cycle de réfrigération.

PRECAUTION :

En cas de supplément de charge, assurez-vous de charger le réfrigérant sous sa forme liquide. Si le réfrigérant est chargé sous sa forme gazeuse, sa composition risque de se modifier à l'intérieur du système et le fonctionnement normal du climatiseur peut s'avérer impossible. Il convient, en outre, de remplir le système de réfrigérant le plus lentement possible car une charge trop rapide risque de bloquer le compresseur.

Pour maintenir une pression élevée dans le cylindre de gaz, le réchauffer avec de l'eau chaude (d'une température inférieure à 40°C) pendant la saison froide. Ne jamais utiliser une flamme vive ou de la vapeur pour effectuer cette opération.

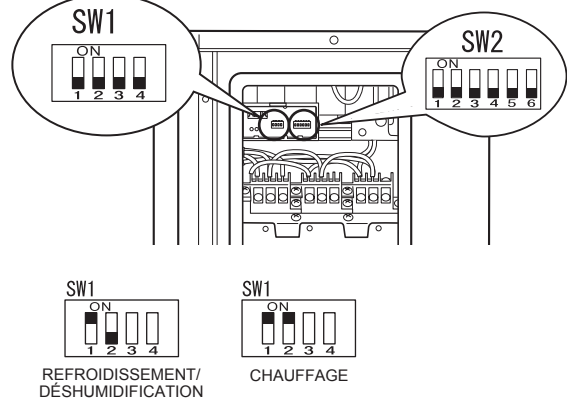


4-3. VERROUILLAGE DU MODE DE FONCTIONNEMENT DU CLIMATISEUR (REFROIDISSEMENT, DÉSHUMIDIFICATION, CHAUFFAGE)

- Description de la fonction :
Lorsque cette fonction est sélectionnée, si le mode de fonctionnement est bloqué sur COOL/DRY (REFROIDISSEMENT/DÉSHUMIDIFICATION) ou HEAT (CHAUFFAGE), le climatiseur fonctionne uniquement dans ce mode.
- * Il est nécessaire de modifier la configuration pour pouvoir sélectionner cette fonction. Présenter cette fonction aux clients et les inviter à l'utiliser.

[Procédure de verrouillage du mode de fonctionnement]

- Veiller à couper l'alimentation secteur du climatiseur avant de procéder à la programmation.
- Régler le commutateur "1" du SW1 du panneau d'affichage extérieur sur ON pour activer cette fonction.
- Pour verrouiller le fonctionnement en mode COOL/DRY (REFROIDISSEMENT/DÉSHUMIDIFICATION), régler le commutateur "2" du SW1 du panneau d'affichage extérieur sur OFF. Pour verrouiller le fonctionnement en mode HEAT (CHAUFFAGE), régler le même commutateur sur ON.
- Mettre le climatiseur sous tension.

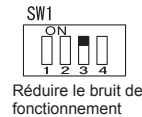


4-4. RÉDUCTION DU BRUIT DE FONCTIONNEMENT DE L'APPAREIL EXTÉRIEUR

- Description de la fonction :
Lorsque cette fonction est sélectionnée, il est possible de limiter le bruit de fonctionnement de l'appareil extérieur en réduisant la charge de fonctionnement, par exemple, pendant la nuit en mode COOL (REFROIDISSEMENT). Cependant, veuillez noter que les performances de refroidissement et de chauffage peuvent diminuer si cette fonction est sélectionnée.
- * Il est nécessaire de modifier la configuration pour pouvoir sélectionner cette fonction. Présenter cette fonction aux clients et les inviter à l'utiliser.

[Procédure de réduction du bruit de fonctionnement]

- Veiller à couper l'alimentation secteur du climatiseur avant de procéder à la programmation.
- Régler le commutateur "3" du SW1 du panneau d'affichage extérieur sur ON pour activer cette fonction.
- Mettre le climatiseur sous tension.



4-5. ESSAI

- Chaque appareil intérieur doit être soumis à un essai de fonctionnement. Veuillez consulter la notice d'installation des appareils intérieurs et vous assurer que les appareils fonctionnent correctement.
- Si vous soumettez simultanément tous les appareils à un essai de fonctionnement, il ne vous sera pas possible de détecter les éventuelles erreurs de raccordement des tuyaux de réfrigérant et de câblage des appareils intérieurs/extérieurs. Vous devez donc lancer les essais de fonctionnement l'un après l'autre.

Vérifier que les étapes suivantes ont été effectuées.

- L'appareil est alimenté.
- Les vannes d'arrêt sont ouvertes.

Concernant le mécanisme de protection contre une remise en marche trop rapide

Lorsque le compresseur s'arrête, le dispositif de protection contre la remise en marche à trop brève échéance s'enclenche. Le compresseur restera arrêté trois minutes avant de se remettre en marche, afin de protéger le climatiseur.

4-6. EXPLICATIONS DESTINÉES À L'UTILISATEUR

- A l'aide de la NOTICE D'UTILISATION, expliquez à l'utilisateur l'emploi du climatiseur (utilisation de la télécommande, remplacement des filtres à air, enlèvement ou placement de la télécommande sur son support, nettoyage, précautions à prendre pour le fonctionnement, etc.).
- Recommandez à l'utilisateur de lire attentivement la NOTICE D'UTILISATION.

5. PURGE

Lors du déplacement ou de la mise au rebut du climatiseur, il est nécessaire de purger le système en suivant la procédure ci-dessous de façon à ne pas libérer le réfrigérant dans l'atmosphère.

- Coupez le disjoncteur.
- Raccordez la vanne du collecteur à jauge à l'ouverture de service du robinet d'arrêt du côté du tuyau de gaz de l'appareil extérieur.
- Fermez complètement le robinet d'arrêt du côté du tuyau de liquide de l'appareil extérieur.
- Enclenchez le disjoncteur.
- Lancez le mode de REFROIDISSEMENT (COOL) d'urgence sur tous les appareils intérieurs.
- Lorsque le manomètre indique 0,05 à 0 MPa [jauge] (environ 0,5 à 0 kgf/cm²), fermez complètement le robinet d'arrêt du côté du tuyau de gaz de l'appareil extérieur et arrêtez l'opération. (Reportez-vous au manuel d'installation de l'appareil intérieur pour la méthode d'arrêt du système.)
* Si trop de réfrigérant a été ajouté au système de climatisation, il se peut que la pression ne parvienne pas à baisser jusqu'à 0,05 MPa [jauge] (environ 0,5 kgf/cm²) ou la fonction de protection pourrait se déclencher en raison de la montée de pression dans le circuit de réfrigérant à haute pression. Dans ce cas, utilisez un dispositif de collecte du réfrigérant pour recueillir la totalité du réfrigérant du système, puis rechargez la quantité de réfrigérant correcte dans le système après avoir déplacé les appareils intérieurs et extérieurs.
- Coupez le disjoncteur. Retirez le manomètre et la tuyauterie du réfrigérant.

⚠ AVERTISSEMENT

Pendant la purge du réfrigérant, arrêter le compresseur avant de débrancher les tuyaux de réfrigérant. Le compresseur risque d'éclater et de provoquer des blessures si une substance étrangère, comme de l'air, pénètre dans les tuyaux.

INHOUDSOPGAVE

1. VOOR HET INSTALLEREN	1
2. INSTALLEREN VAN DE BUITENUNIT	4
3. AFDICHTINGEN INSTALLEREN EN LEIDINGEN AANSLUITEN	4
4. REINIGINGSPROCEDURES, LEKTESTS EN PROEFDRAAIEN	5
5. LEEGPOMPEN	6

Gereedschap nodig voor installatie

Kruiskopschroevendraaier	Flensgereedschap voor R410A
Waterpas	R410A
Rolmaat	Meterverdeelstuk voor R410A
Universeel mes of schaar	R410A
Momentsleutel	Vacuümpomp voor R410A
Steek- of ringsleutel	Vulslang voor R410A
Inbussleutel 4 mm	Pijpsnijder met ruimer

1. VOOR HET INSTALLEREN

1-1. LET VOOR DE VEILIGHEID ALTIJD OP HET VOLGENDE

- Lees "LET VOOR DE VEILIGHEID ALTIJD OP HET VOLGENDE" goed door voordat u de airconditioner installeert.
- Volg de hier gegeven waarschuwingen en aanwijzingen goed op, want ze zijn belangrijk voor uw veiligheid.
- Bewaar deze handleiding nadat u hem gelezen heeft samen met de BEDIENINGSINSTRUCTIES om eventueel later te raadplegen.

⚠ WAARSCHUWING (Kan leiden tot ernstig letsel en zelfs overlijden.)

- **Installeer als gebruiker dit apparaat niet zelf.**
Onvolledige installatie kan leiden tot brand, elektrische schokken, letsel doordat het apparaat valt, of lekkage van water. Raadpleeg de leverancier waar u de airconditioner kocht of een gekwalificeerde installateur.
- **Voer de installatie veilig uit volgens de installatiehandleiding.**
Onvolledige installatie kan leiden tot brand, elektrische schokken, letsel doordat het apparaat valt, of lekkage van water.
- **Als u de unit installeert, gebruik dan voor de veiligheid het juiste beschermingsmateriaal en gereedschap.**
Als u dat niet doet, kan dit letsel veroorzaken.
- **Installeer het apparaat stevig op een plaats die het gewicht kan dragen.**
Als de plaats van installatie het gewicht niet kan dragen, kan het apparaat vallen en letsel veroorzaken.
- **Elektrische werkzaamheden moeten volgens de installatiehandleiding worden uitgevoerd, en mogen alleen door gekwalificeerde, ervaren elektriciens worden uitgevoerd. Gebruik een aparte groep. Sluit geen andere elektrische apparaten aan op de groep.**
Als de capaciteit van de groep onvoldoende is of een elektrische aansluiting onjuist uitgevoerd wordt, kan dit leiden tot brand of een elektrische schok.
- **Zorg dat de bedrading niet wordt beschadigd doordat toegevoegde onderdelen en/of schroeven hierop te veel druk uitoefenen.**
Beschadigde bedrading kan brand of elektrische schokken veroorzaken.
- **Sluit de netspanning af tijdens het installeren van de printplaat binnen of het aansluiten van bedrading.**
Als u dat niet doet, kunt u een elektrische schok krijgen.
- **Gebruik de voorgeschreven draden om binnen- en buitenunit veilig met elkaar te verbinden, en bevestig de draden stevig aan het aansluitblok zodat trekkracht in de draden niet op de verbindingpunten komt te staan. Verleng de bedrading niet, of gebruik geen tussenverbindingen.**
Onjuist aansluiten of vastzetten kan brand veroorzaken.
- **Installeer het apparaat niet op een plaats waar ontvlambaar gas kan lekken.**
Gelekt gas dat zich om de airconditioner heen ophoopt, kan een explosie veroorzaken.
- **Maak geen tussenverbindingen in het netsnoer, gebruik geen verlengsnoer en sluit niet te veel apparaten aan op hetzelfde stopcontact.**
Er kan dan brand of een elektrische schok ontstaan door een slecht contact, slechte isolatie, te hoge stroomsterkte etc.
- **Gebruik uitsluitend de bijgeleverde of voorgeschreven onderdelen voor het installeren.**
Gebruik van defecte onderdelen kan letsel of waterlekkage veroorzaken als gevolg van brand, een elektrische schok of vallen van het apparaat.
- **Als u de netsnoerstekker in het stopcontact steekt, let er dan op dat zich geen stof, een andere opeenhoping of los onderdeel bevindt in het stopcontact of aan de stekker. Zorg er voor dat u de netsnoerstekker volledig in het stopcontact drukt.**
Als zich stof, een andere opeenhoping of een los onderdeel aan de netsnoerstekker of in het stopcontact bevindt, kan brand of een elektrische schok ontstaan. Als van de netsnoerstekker een onderdeel los zit, vervang de stekker dan.
- **Bevestig de afdekking voor elektrische delen van de binnenunit en het onderhoudspaneel van de buitenunit stevig.**
Indien de afdekking voor elektrische delen van de binnenunit en/of het onderhoudspaneel van de buitenunit niet goed bevestigd is/zijn, kan dit brand of een elektrische schok veroorzaken vanwege stof, water etc.
- **Zorg dat er niets anders dan het voorgeschreven koelmiddel R410A in het koelmiddelcircuit komt wanneer de airconditioner wordt geïnstalleerd, verplaatst of onderhouden.**
De aanwezigheid van andere stoffen, zoals lucht, kan abnormale drukverhoging veroorzaken die kan leiden tot een explosie of lichamelijk letsel. Als u een ander koelmiddel dan het voorgeschreven koelmiddel gebruikt, kan dit leiden tot mechanische storingen, systeemstoringen of uitval van de unit. In het slechtste geval kan de productveiligheid ernstig in het geding komen.
- **Laat het koelmiddel niet ontsnappen in de atmosfeer. Als bij het installeren lekkage van koelmiddel optreedt, ventileer dan de kamer.**
Als koelmiddel in contact komt met vuur, kan een schadelijk gas ontstaan. Lekkage van koelmiddel kan verstikkingsgevaar inhouden. Zorg voor voldoende ventilatie conform EN378-1.
- **Controleer als de installatie voltooid is of er geen koelmiddelgas lekt.**
Mocht er binnenshuis koelmiddelgas lekken, dan kunnen schadelijke stoffen ontstaan als dat in contact komt met de warmte van een ventilator, straalplaat, fornuis etc.
- **Gebruik de juiste gereedschappen en leidingmaterialen voor de installatie.**
De druk van R410A is 1,6 keer zo hoog als die van R22. Door gebruik van onjuiste gereedschappen of materialen en een onvolledige installatie kunnen leidingen barsten en verwondingen ontstaan.
- **Als u het koelmiddel uit het apparaat pompt, zet de compressor dan stop voordat u de koelmiddelleidingen losmaakt.**
Als u de koelmiddelleidingen losmaakt terwijl de compressor loopt en de afsluitkraan open is, dan kan lucht aangezogen worden waardoor de druk in het koelmiddelcircuit abnormaal hoog oploopt. Hierdoor kunnen de leidingen barsten en letsel veroorzaken.
- **Als u het apparaat installeert, zet de koelmiddelleidingen dan stevig vast voordat u de compressor start.**
Als u de compressor start voordat de koelmiddelleidingen aangesloten zijn en de afsluitkraan is open, dan kan lucht aangezogen worden waardoor de druk in het koelmiddelcircuit abnormaal hoog oploopt. Hierdoor kunnen de leidingen barsten en letsel veroorzaken.
- **Bevestig flensmoeren met een momentsleutel zoals voorgeschreven in deze handleiding.**
Indien u een flensmoer te strak aandraait, kan deze na verloop van tijd breken en koelmiddellekkage veroorzaken.
- **Het apparaat moet geïnstalleerd worden in overeenstemming met de nationale regels voor bedrading.**
- **Aard het apparaat op de juiste manier.**
Sluit geen aarddraad aan op een gasleiding, waterleiding, bliksemafleider of aarde van een telefoon. Door onjuiste aarding kunt u elektrische schokken krijgen.
- **Installeer een aardlekschakelaar.**
Als u geen aardlekschakelaar installeert, kan dit leiden tot een elektrische schok of brand.

⚠ VOORZICHTIG (Kan onder bepaalde omstandigheden tot ernstig letsel leiden bij onjuist handelen.)

- **Voer de werkzaamheden aan afvoer en leidingen goed uit volgens de installatiehandleiding.**
Door mankementen aan afvoer of leidingwerk kan water van het apparaat druppelen en het interieur nat maken en beschadigen.
- **Raak de luchtinlaat en de aluminium ribben van de buitenunit niet aan.**
Dit kan letsel veroorzaken.
- **Installeer de buitenunit niet op een plaats waar mogelijk kleine dieren leven.**
Als kleine dieren in het apparaat belanden en elektrische delen aanraken, kan een storing, rookontwikkeling of brand ontstaan. Adviseer de gebruiker ook om de omgeving van het apparaat schoon te houden.

1-2. SPECIFICATIES

Model	Voedingsspanning *1		Bedrading *2		Leidinglengte en hoogteverschil *3, *4, *5, *6, *7, *8			Geluidsniveau buiten			
	Nominale spanning	Frequentie	Zekeringsring	Voedingsspanning	Verbindingskabel binnen/buiten	Max. leidinglengte per binneneenheid / voor multi-systeem	Max. hoogteverschil *9	Max. aantal bochten per binneneenheid / voor multi-systeem	Aanpassing koelmiddel A *10	Koelen	Verwarmen
MXZ-2D33VA	220-230-240 V	50 Hz	10 A	3-aderig 1,0 mm ²	4-aderig 1,0/1,5 mm ²	15 m / 20 m	10 m	15 / 20	20 g/m	49 dB(A)	50 dB(A)
MXZ-2D42VA2			15 A	3-aderig 2,0 mm ²		20 m / 30 m	15 m	20 / 30		46 dB(A)	51 dB(A)
MXZ-2D53VA(H)2											50 dB(A)

Opmerking:

Zie tabel voor mogelijke combinaties (service-referentienummer).

Wanneer u de binneneenheid van de MFZ-KJ-serie op deze buitenunit aansluit, dient u extra koelmiddel bij te vullen volgens de instructies in de onderstaande tabel.

MXZ-2D33VA

Aantal MFZ-KJ-binneneenheden	Leidinglengte (L)		Maximale hoeveelheid koelmiddel
	~ 20 m		
1 unit	100 g extra (in totaal 1250 g)		1250 g
2 units	Niet beschikbaar (er kan slechts één binneneenheid uit de MFZ-KJ-serie worden aangesloten.)		

MXZ-2D42VA2 MXZ-2D53VA2 MXZ-2D53VAH2

Aantal MFZ-KJ-binnenunits	Leidinglengte (L)		Maximale hoeveelheid koelmiddel
	~ 20 m	~ 30 m	
1 unit	100 g extra (in totaal 1400 g)	100 g + {(L -20) m x 20 g/m}	1600 g
2 units	200 g extra (in totaal 1500 g)	200 g + {(L -20) m x 20 g/m}	1700 g

- *1 Gebruik een netschakelaar die voor stroomonderbreking een open stand heeft met een opening van 3 mm of meer. (Als de stroom wordt uitgeschakeld, moeten alle fasen onderbroken worden.)
- *2 Gebruik draden die in overeenstemming zijn met ontwerp 60245 IEC 57. Gebruik de verbindingkabel in overeenstemming met de in de installatiehandleiding van de binnenunit beschreven bedradingsgegevens.
- *3 Gebruik nooit leidingen die dunner zijn dan voorgeschreven. De weerstand tegen druk is dan onvoldoende.
- *4 Gebruik koperen leiding of naadloze leiding van een koperlegering.
- *5 Let erop dat u de leiding tijdens het buigen niet plet of knikt.

- *6 Bochten in de koelmiddelleidingen moeten een straal van minstens 100 mm hebben.
- *7 Isolatiemateriaal: Hittebestendig schuimplastic met 0,045 specifieke dichtheid
- *8 Zorg ervoor dat u isolatie van de voorgeschreven dikte gebruikt. Te dikke isolatie kan leiden tot onjuiste installatie van de binnenunit en te dunne isolatie kan het druppen van condens veroorzaken.
- *9 Als de buitenunit hoger wordt geïnstalleerd dan de binnenunit, is het maximaal toegestane hoogteverschil 10 m.
- *10 Indien de leiding langer is dan 20 m, moet koelmiddel (R410A) bijgevoerd worden. (Als de leiding korter is dan 20 m, dan hoeft geen koelmiddel worden bijgevoerd.)
Extra koelstof = A × (leidinglengte (m) – 20)

1-3. KEUZE VAN EVENTUELE VERLOOPSTUKKEN

Als de diameter van een verbindingleiding niet overeenkomt met de openingsgrootte van de buitenunit, gebruik dan een verloopstuk (niet bijgeleverd) volgens de volgende tabel.

(Eenheid: mm (inch))

Openingsgrootte van de buitenunit		Optionele verloopstukken (openingsgrootte van de buitenunit → diameter van de verbindingleiding)
MXZ-2D	Vloeibaar / gas	9,52 (3/8) → 12,7 (1/2) : MAC-A454JP-E
A , B UNIT	6,35 (1/4) / 9,52 (3/8)	Raadpleeg de installatiehandleiding van de binnenunit voor de diameter van de verbindingleiding van de binnenunit.

1-4. BEPALEN VAN DE INSTALLATIEPLAATS

- Waar geen harde wind op het apparaat staat.
- Waar de luchtstroom goed en stofvrij is.
- Waar regen of direct zonlicht zoveel mogelijk kan worden voorkomen.
- Waar de burens geen last hebben van het geluid of de hete lucht.
- Waar een stevige muur of ondersteuning beschikbaar is om lawaaitoename en trillingen te voorkomen.
- Waar geen kans bestaat dat er brandbaar gas lekt.
- Zet de poten van de unit goed vast bij het installeren van de unit.
- Op tenminste 3 m afstand van de antenne van een tv of radio. Op plaatsen met een slechte ontvangst kan de radio- of tv-ontvangst gestoord worden door de airconditioner. Voor het betreffende apparaat kan een antenneversterker nodig zijn.
- Installeer de unit horizontaal.
- Installeer de unit op een plaats waar geen sneeuw valt of sneeuw naartoe geblazen wordt. Breng in gebieden met zware sneeuwval een afdak, verhoging en/of enkele schotten aan.

Opmerking:

Het is aan te raden om bij de buitenunit een lus in de leiding te leggen om het doorgeven van trillingen te verminderen.

Opmerking:

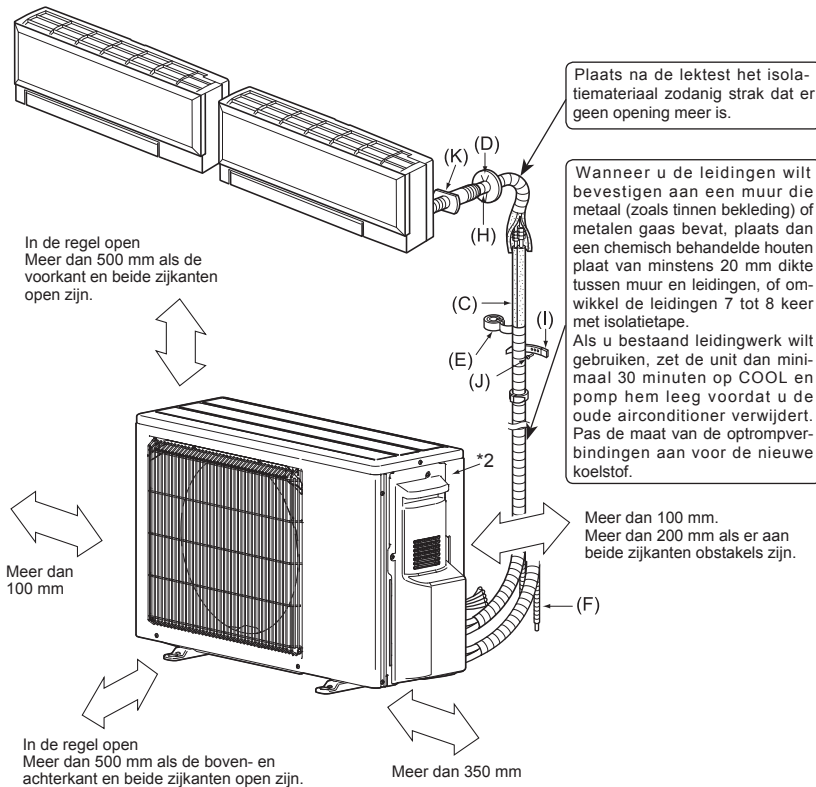
Wanneer u de airconditioner bij een lage buitentemperatuur gebruikt, volg dan de onderstaande richtlijnen.

- Installeer de buitenunit nooit op een plaats waar zijn luchtinlaat of -uitlaat zich direct in de wind bevindt.
- Installeer de buitenunit met de luchtinlaat naar de muur toe om blootstelling aan wind te voorkomen.
- Het is aan te raden om aan de luchtuitlaatzijde van de buitenunit een schot te plaatsen om de uitlaat uit de wind te houden.

Vermijd installatie op de volgende plaatsen, aangezien problemen met de airconditioner dan voor de hand liggen.

- Waar ontvlambaar gas kan lekken.
- Op plaatsen met veel machineolie.
- Waar olie spat of in ruimtes die gevuld zijn met olieachtige rook (zoals keukens en fabrieken waar de eigenschappen van kunststof kunnen worden gewijzigd en beschadigd).
- In zoute gebieden, bijvoorbeeld aan de kust.
- In de buurt van sulfidegas, bijvoorbeeld bij hete bronnen.
- Waar hoogfrequente of draadloze apparatuur aanwezig is.
- Waar er veel vluchtige organische stoffen vrijkomen, zoals ftalaten en formaldehyde, die tot scheuren door chemische inwerking kunnen leiden.

1-5. INSTALLATIESCHEMA



*2 Het jaar en de maand van vervaardiging is aangegeven op het naamplaatje met technische gegevens.

TOEBEHOREN

Controleer voor het installeren of de volgende onderdelen aanwezig zijn.

(1) Afvoerbus	1
---------------	---

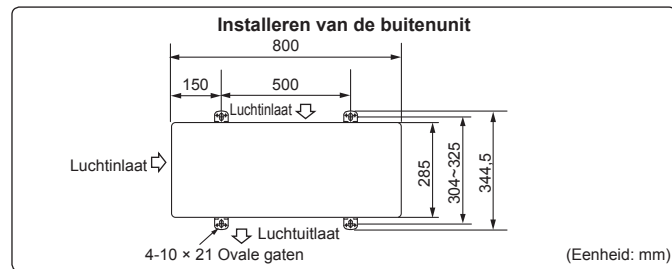
DOOR U ZELF AAN TE SCHAFFEN ONDERDELEN

(A) Netsnoer*1	1
(B) Verbindingskabel binnen- en buitenunit*1	1
(C) Verlengleiding	1
(D) Afdekking voor muurgat	1
(E) Leidingtape	1
(F) Verlenging afvoerslang (of zachte PVC-slang met 15 mm binnendiameter of harde PVC-pijp VP16)	1
(G) Koelolie	Kleine hoeveelheid
(H) Kit	1
(I) Bevestigingsbandje voor leiding	2 tot 7
(J) Bevestigingsschroef voor (I)	2 tot 7
(K) Huls voor muurgat	1
(L) Zachte PVC-slang met 15 mm binnendiameter of harde PVC-pijp met VP16 voor afvoerbus (1)	1

Opmerking:

*1 Plaats verbindingskabel (B) en netsnoer (A) op ten minste 1 meter afstand van de tv-antennekabel.

Het "Aantal" bij (B) t/m (K) in de tabel hierboven is het benodigde aantal per binneneenheid.



De units moeten worden geïnstalleerd door een erkend specialist volgens de plaatselijke vereisten.

1-6. AFVOERVOORZIENINGEN VOOR BUITENUNIT

Leg alleen een afvoerleiding aan als er van één plaats wordt afgevoerd.

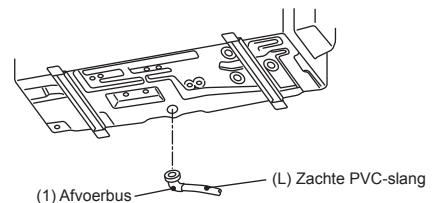
- 1) Breng de afvoervoorzieningen aan voordat u de verbindingsleiding tussen binnen- en buitenunit aansluit.
- 2) Sluit de zachte PVC-slang (L) met een binnendiameter van 15 mm aan zoals wordt afgebeeld.
- 3) Zorg dat de afvoer omlaag loopt, zodat het afvoeren gemakkelijk gaat.

Opmerking:

Installeer de unit horizontaal.

Gebruik op koude locaties geen afvoerbus (1). De afvoer kan dan bevriezen waardoor de ventilator stopt.

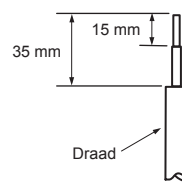
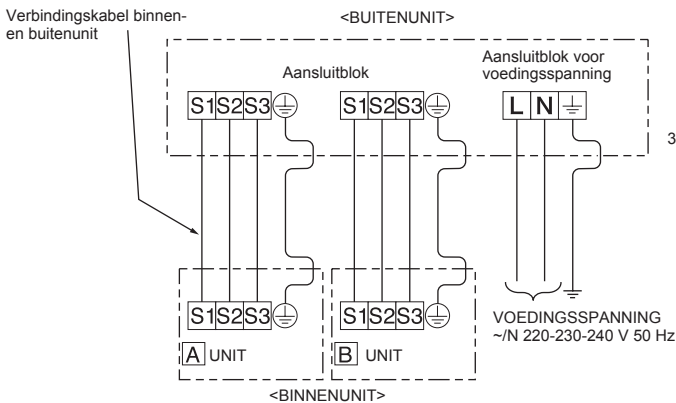
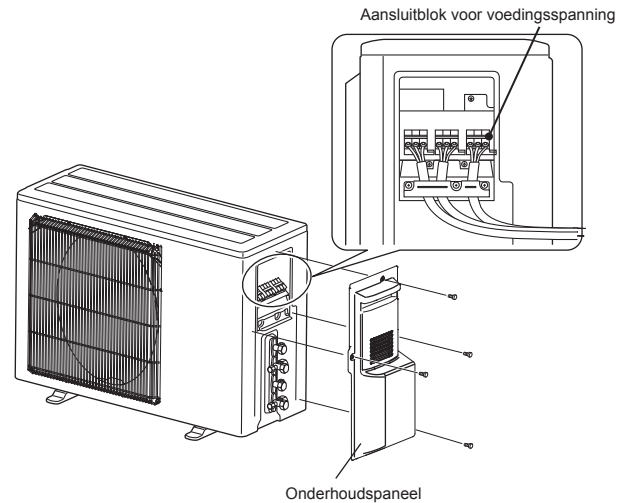
Tijdens het verwarmen produceert de buitenunit condens. Selecteer de plaats van installatie om ervoor te zorgen dat de buitenunit en/of de vloeren nat worden door afvoerwater of beschadigd raken door bevroren afvoerwater.



2. INSTALLEREN VAN DE BUITENUNIT

2-1. DRADEN VOOR BUITENUNIT AANSLUITEN

- 1) Verwijder het onderhoudspaneel.
- 2) Draai de aansluitschroef los en sluit verbindingkabel (B) tussen binnen- en buitenunit vanaf de binnenunit correct aan op het aansluitblok. Let op dat u de draden niet verkeerd aansluit. Maak de draad stevig vast op het aansluitblok zodat de draadkern niet zichtbaar is en er geen externe krachten op de aansluitingen van het blok komen te staan.
- 3) Draai de aansluitschroeven goed vast zodat ze niet losraken. Trek na het vastdraaien even licht aan de draden om te controleren of ze goed vast zitten.
- 4) Voer 2) en 3) uit voor iedere binnenunit.
- 5) Sluit het netsnoer (A) aan.
- 6) Zet verbindingkabel (B) tussen binnen- en buitenunit en netsnoer (A) vast met de kabelklemmen.
- 7) Sluit het onderhoudspaneel zorgvuldig. Let erop dat 3-2. DE LEIDINGEN AANSLUITEN volledig wordt uitgevoerd.
 - Zorg ervoor, nadat u netsnoer (A) en verbindingkabel (B) tussen binnen- en buitenunit op elkaar hebt aangesloten, dat beide kabels goed vastzitten met de kabelklemmen.



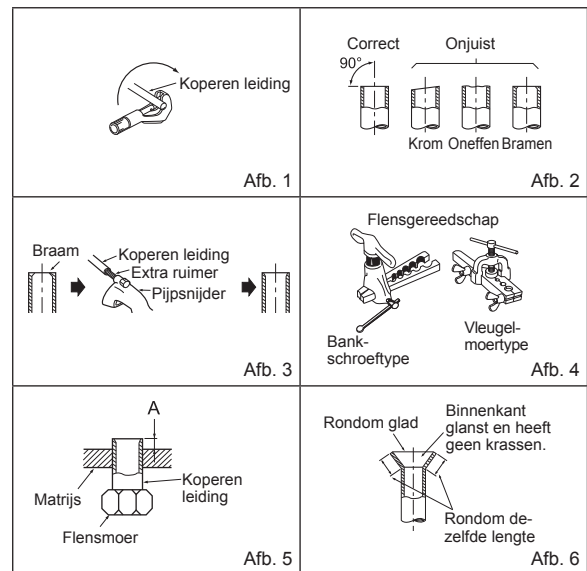
- Zorg ervoor dat u elke schroef op de overeenkomende aansluiting vastdraait wanneer u de kabel en/of de draad op het aansluitblok vastmaakt.
- Maak de aarddraad iets langer dan de andere draden. (langer dan 35 mm)
- Geef de verbindingkabels wat extra lengte voor later onderhoud.

3. AFDICHTINGEN INSTALLEREN EN LEIDINGEN AANSLUITEN

3-1. AFDICHTING

- 1) Snijd de koperen leiding op de juiste wijze af met een pijpsnijder. (Afb. 1, 2)
- 2) Verwijder alle bramen van het gedeelte waar de leiding is afgesneden. (Afb. 3)
 - Houd de koperen leiding omlaag en verwijder de bramen. De bramen mogen niet in de leiding vallen.
- 3) Verwijder de flensmoeren die op de binnen- en buitenunit zijn bevestigd, en schuif ze op de ontbraamde leiding. (Ze zijn niet meer te plaatsen nadat de afdichting gemaakt is.)
- 4) Afdichting (Afb. 4, 5). Draai de koperen leiding volgens de in de tabel getoonde waarden stevig vast. Selecteer A mm uit de tabel volgens het gekozen gereedschap.
- 5) Controleer
 - Vergelijk de gemaakte afdichtflens met Afb. 6.
 - Als de afdichtflens niet juist lijkt te zijn, snijd dan het flensgedeelte van de leiding af en maak de afdichting opnieuw.

Diameter leiding (mm)	Moer (mm)	A (mm)			Aanhaalkoppel	
		Koppelingsgereedschap voor R410A	Koppelingsgereedschap voor R22	Vleugelmoer-gereedschap voor R22	N•m	kgf•cm
ø6,35 (1/4")	17	0 - 0,5	1,0 - 1,5	1,5 - 2,0	13,7 - 17,7	140 - 180
ø9,52 (3/8")	22			34,3 - 41,2	350 - 420	
ø12,7 (1/2")	26			49,0 - 56,4	500 - 575	
ø15,88 (5/8")	29			73,5 - 78,4	750 - 800	



3-2. DE LEIDINGEN AANSLUITEN

- 1) Breng een dun laagje koelolie (G) aan op de flensuiteinden van de leidingen en de leidingverbindingen van de buitenunit.
- 2) Lijn het midden van de leiding uit met het midden van de leidingverbindingen van de buitenunit en draai de flensmoer 3 à 4 slagen aan met de hand.
- 3) Draai de flensmoer met een momentsleutel vast zoals voorgeschreven in de tabel.
 - Te strak aandraaien kan schade aan de flensmoer veroorzaken met lekkage van koelmiddel tot gevolg.
 - Wikkel isolatie om de leidingen. Direct contact met ontblote leidingen kan brandwonden of bevriezing veroorzaken.

⚠ WAARSCHUWING
 Als u het apparaat installeert, zet de koelmiddelleidingen dan stevig vast voordat u de compressor start.

3-3. ISOLATIE EN TAPE

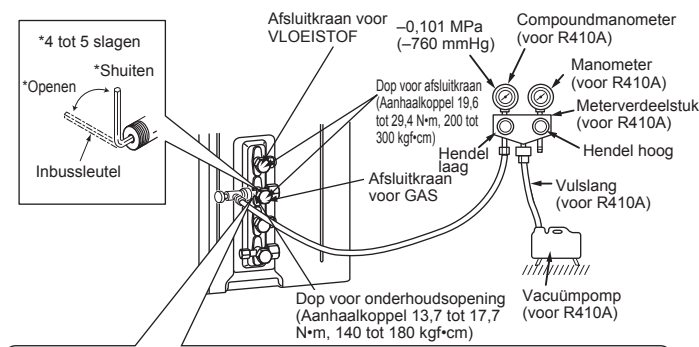
- 1) Bedek de leidingverbindingen met afdekkingen voor leidingen.
- 2) Isoleer beslist alle leidingen die buiten lopen, inclusief de kranen.
- 3) Omwikkel de verbindingleiding met leidingtape (E), te beginnen bij de ingang van de buitenunit.
 - Zet het einde van de leidingtape (E) vast met tape (voorzien van plakmiddel).
 - Wanneer leidingen boven het plafond, door een kast of via andere warme en vochtige plaatsen komen te lopen, wikkel er dan extra in de handel verkrijgbare isolatie omheen om condensatie te voorkomen.

⚠ VOORZICHTIG
 Zet de moeren van ongebruikte openingen goed vast.

4. REINIGINGSPROCEDURES, LEKTESTS EN PROEFDRAAIEN

4-1. REINIGINGSPROCEDURES EN LEKTEST

- 1) Verwijder de dop van de onderhoudsopening in de afsluitkraan van de gasleiding aan de buitenunit. (De afsluitkranen zijn in eerste instantie geheel gesloten en met de dop erop.)
- 2) Sluit het meterverdeelstuk en de vacuümpomp aan op de onderhoudsopening van de afsluitkraan in de gasleiding aan de buitenunit.
- 3) Start de vacuümpomp. (Trek vacuüm gedurende meer dan 15 minuten.)
- 4) Controleer het vacuüm met het meterverdeelstuk. Sluit vervolgens het meterverdeelstuk en stop de vacuümpomp.
- 5) Wacht één tot twee minuten. Controleer of de wijzer van het meterverdeelstuk in dezelfde stand blijft staan. Controleer of de manometer inderdaad -0,101 MPa [Meter] (-760 mmHg) aangeeft.
- 6) Verwijder het meterverdeelstuk snel van de onderhoudsopening van de afsluitkraan.
- 7) Open alle afsluitkranen van de gas- en vloeistofleiding volledig. Als de airconditioner werkt met deels gesloten kranen, functioneert hij slechter en ontstaan er problemen.
- 8) Zie 1-2. en vul indien nodig de voorgeschreven hoeveelheid koelmiddel bij. Vul het vloeibare koelmiddel langzaam bij. Als u dit niet doet, kan de samenstelling van het koelmiddel in het systeem veranderen waardoor de airconditioner slechter kan gaan werken.
- 9) Plaats de dop weer op de onderhoudsopening om de oorspronkelijke situatie te herstellen.
- 10) Lektest



Voorzorgsmaatregelen tijdens gebruik regelkraan

Wanneer u de regelkraan op de onderhoudsopening bevestigt, kan de schuifafsluiter van de regelkraan vervormen of los komen te zitten als er te veel druk op wordt uitgeoefend. Hierdoor kan er gas gaan lekken.

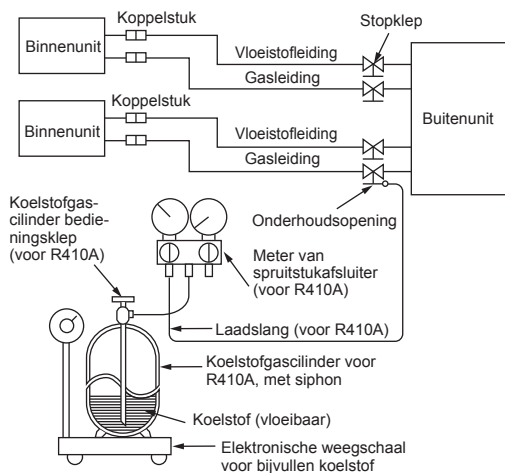
Wanneer u de regelkraan op de onderhoudsopening bevestigt, controleer dan eerst of de schuifafsluiter van de regelkraan is gesloten voordat u onderdeel A vastdraait. Draai onderdeel A niet vast of draai de behuizing niet om als de schuifafsluiter geopend is.

4-2. LADEN VAN GAS

- Vul gaas bij in eenheid.
- 1) Sluit de gascilinder op de onderhoudsopening van de stopklep aan.
 - 2) Ontlucht de leiding (of slang) die van de koelstofcilinder komt.
 - 3) Vul vereiste hoeveelheid koelstof bij terwijl de airconditioner koelt.

Opmerking:
 Wanneer u koelvloeistof bijvult, dient u zich te houden aan de hoeveelheid die voor het specifieke koelcircuit is opgegeven.

VOORZICHTIG:
 Maak altijd gebruik van vloeibare koelstof, indien het koelsysteem met extra koelstof wordt bijgevuld. Het toevoegen van koelstof als gas kan de samenstelling van de koelstof in het systeem veranderen en de normale werking van de airconditioner beïnvloeden. Vul langzaam koelmiddel bij, omdat anders de compressor kan blokkeren.
 Voor het behouden van een hoge druk van de cilinders, dient u deze bij koude omstandigheden met warm water (onder 40°C) te verwarmen. Gebruik echter nooit vuur of stoom.

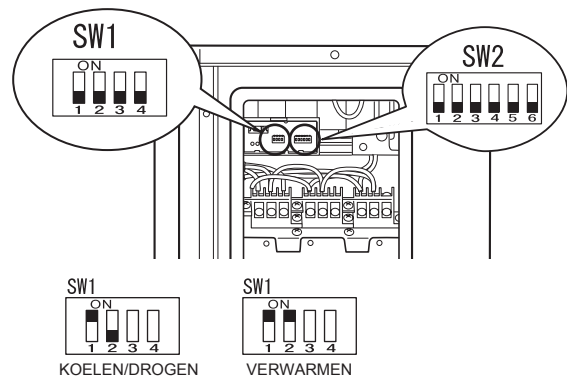


4-3. DE BEDRIJFSSTAND VAN DE AIRCONDITIONER VASTZETTEN (KOELEN, DROGEN, VERWARMEN)

- Functiebeschrijving:
Zodra de bedrijfsstand op COOL/DRY (koelen of drogen) of HEAT (verwarmen) is vastgezet met deze functie, blijft de airconditioner alleen in die bedrijfsstand werken.
- * Om deze functie te activeren moet u de instelling wijzigen. Maak deze functie aan uw klanten duidelijk en vraag of ze er gebruik van willen maken.

[De bedrijfsstand vastzetten]

- 1) Schakel de netspanning van de airconditioner uit voordat u met de instelling begint.
- 2) Zet de "1" van SW1 op het display van de buitenunit op ON (aan) om deze functie mogelijk te maken.
- 3) Om de bedrijfsstand vast te zetten in COOL/DRY (koelen en drogen) zet u de "2" van SW1 op het display van de buitenunit op OFF (uit). Om de bedrijfsstand vast te zetten in HEAT (verwarmen) zet u deze schakelaar op ON (aan).
- 4) Schakel de netspanning van de airconditioner weer in.



4-4. REDUCEREN VAN HET BEDRIJFSGELUID VAN DE BUITENUNIT

- Functiebeschrijving:
Met deze functie kunt u het bedrijfsgeluid van de buitenunit verminderen door de bedrijfsbelasting te verminderen, bijvoorbeeld 's nachts in de KOELSTAND (COOL). Let er echter wel op dat de koel- en verwarmingscapaciteiten in dit geval geringer kunnen zijn.
- * Om deze functie te activeren moet u de instelling wijzigen. Maak deze functie aan uw klanten duidelijk en vraag of ze er gebruik van willen maken.

[Reduceren van het bedrijfsgeluid]

- 1) Schakel de netspanning van de airconditioner uit voordat u met de instelling begint.
- 2) Zet de "3" van SW1 op het display van de buitenunit op ON (aan) om deze functie mogelijk te maken.
- 3) Schakel de netspanning van de airconditioner weer in.



4-5. PROEFDRAAIEN

- U moet de binnenunits allemaal apart laten proefdraaien. Zie de installatiehandleiding van de binnenunit en controleer of alle units goed functioneren.
- Als u alle units tegelijkertijd laat proefdraaien, kunnen slechte of verkeerde verbindingen van de koelleidingen en de binnen-/buitenunitverbindingen niet worden opgespoord. Laat de units daarom één voor één proefdraaien.

Zorg ervoor dat eerst aan de volgende voorwaarden is voldaan:

- De unit wordt voorzien van stroom.
- De stopkleppen zijn open.

Over de beveiliging van het herstartmechanisme

Als de compressor stopt zal de beveiliging van het herstartmechanisme ervoor zorgen dat de compressor drie minuten lang niet ingeschakeld kan worden, ter bescherming van de airconditioning.

4-6. UITLEG AAN DE GEBRUIKER

- Leg de gebruiker met de BEDIENINGSINSTRUCTIES uit hoe de airconditioner werkt (gebruik van de afstandsbediening, verwijderen van de luchtfilters, verwijderen of plaatsen van de afstandsbediening in de houder, reinigen, voorzorgsmaatregelen tijdens bediening, enz.).
- Raad de gebruiker aan om de BEDIENINGSINSTRUCTIES zorgvuldig door te lezen.

5. LEEGPOMPEN

Bij verplaatsen of verwijderen van de airconditioner dient het systeem volgens de onderstaande procedure te worden leeggepompt, zodat geen koelmiddel in de atmosfeer terecht kan komen.

- 1) Schakel de stroomonderbreker uit.
- 2) Sluit het meterverdeelsstuk aan op de onderhoudsopening van de afsluitkraan in de gasleiding aan de buitenunit.
- 3) Draai de afsluitkraan in de vloeistofleiding aan de buitenunit volledig dicht.
- 4) Schakel de stroomonderbreker in.
- 5) Schakel de noodwerking voor KOELEN op alle binnenunits in.
- 6) Als op de manometer een druk van 0,05 tot 0 MPa [Meter] (ongeveer 0,5 tot 0 kgf/cm²) wordt weergegeven, sluit dan de afsluitkraan in de gasleiding aan de buitenunit volledig en schakel de noodwerking uit. (Raadpleeg de installatiehandleiding van de binnenunit voor informatie over het uitschakelen van de noodwerking.)
 - * Als er teveel koelmiddel aan het systeem toegevoegd is, kan de druk mogelijk niet dalen naar 0,05 MPa [Meter] (ongeveer 0,5 kgf/cm²) of treedt de beveiligingsfunctie in werking vanwege de toegenomen druk in het hogedruk-koelmiddelcircuit. Als dit gebeurt, gebruik dan een koelmiddelopvangbak om al het koelmiddel uit het systeem op te vangen. Vul vervolgens na het verplaatsen van de binnen- en buitenunits de correcte hoeveelheid koelmiddel in het systeem bij.
- 7) Schakel de stroomonderbreker uit. Verwijder de manometer en de koelleidingen.

⚠ WAARSCHUWING

Als u het koelmiddel uit het apparaat pompt, schakel de compressor dan uit voordat u de koelmiddel-leidingen loskoppelt.
De compressor kan barsten en letsel veroorzaken als andere stoffen, zoals lucht, de leidingen binnendringen.

ÍNDICE

1. ANTES DE LA INSTALACIÓN	1
2. INSTALACIÓN DE LA UNIDAD EXTERIOR	4
3. TRABAJOS DE ABOCARDADO Y CONEXIÓN DE TUBERÍAS	4
4. PROCEDIMIENTOS DE PURGADO, PRUEBA DE FUGAS Y FUNCIONAMIENTO DE PRUEBA.....	5
5. BOMBEO DE VACIADO	6

Herramientas necesarias para la instalación

Destornillador Phillips	Válvula colector de manómetro para R410A
Nivel	Bomba de vacío para R410A
Báscula	Cuchilla o tijeras
Llave dinamo métrica	Manguera de carga para R410A
Llave (o llave de tuercas)	R410A
Llave hexagonal de 4 mm	Cortador de tuberías con escariador
Abocardador para R410A	

1. ANTES DE LA INSTALACIÓN

1-1. POR RAZONES DE SEGURIDAD, DEBERÁ OBSERVARSE SIEMPRE LO SIGUIENTE

- Antes de instalar el acondicionador de aire, lea atentamente el apartado "POR RAZONES DE SEGURIDAD, DEBERÁ OBSERVARSE SIEMPRE LO SIGUIENTE".
- Observe los mensajes de atención y cuidado indicados en él, ya que se refieren a cuestiones de seguridad importantes.
- Cuando haya acabado de leer el manual, no olvide dejarlo junto al MANUAL DE INSTRUCCIONES para su futura referencia.

⚠ ATENCIÓN (Podría causar la muerte, lesiones graves, etc.)

- **El usuario no debe instalar la unidad.**
Una instalación defectuosa podría causar incendios, descargas eléctricas o lesiones debidos a una caída de la unidad o escapes de agua. Para hacer la instalación, consulte al concesionario en el que adquirió esta unidad o a un instalador cualificado.
- **Para efectuar una instalación segura, consulte el manual de instalación.**
Una instalación defectuosa podría causar incendios, descargas eléctricas, lesiones debidos a una caída de la unidad o escapes de agua.
- **Al instalar la unidad, use equipos y herramientas de protección adecuadas para garantizar la seguridad.**
De no hacerlo, podría sufrir daños corporales.
- **Asegúrese de que el lugar de instalación puede aguantar el peso de la unidad.**
Si el lugar de instalación no puede aguantar el peso de la unidad, ésta podría caerse y causar daños.
- **La instalación eléctrica debe realizarla un técnico cualificado y con experiencia, siguiendo el manual de instalación. Asegúrese de emplear un circuito exclusivo. No conecte otros dispositivos eléctricos al circuito.**
Si el circuito de alimentación no tiene suficiente capacidad o la instalación eléctrica es insuficiente, podría producirse un incendio o una descarga eléctrica.
- **Evite dañar los cables aplicando una presión excesiva con las piezas o tornillos.**
El uso de cables dañados podría conllevar lesiones a causa de incendios o descargas eléctricas.
- **Asegúrese de desconectar el conmutador de alimentación general al instalar la placa de circuito impreso o manipular los cables de conexión.**
De no hacerlo, podría provocar una descarga eléctrica.
- **Utilice los cables indicados para instalar de forma segura las unidades interior y exterior y conecte bien los cables en las secciones de conexión del panel de terminales de modo que no queden tensos en dichas secciones. No emplee cables de extensión ni conexiones intermedias.**
Una conexión y fijación defectuosas podrían provocar un incendio.
- **No instale la unidad en un lugar donde haya fugas de gas inflamable.**
Si hay fugas de gas y se acumula en la zona que rodea la unidad, podría producirse una explosión.
- **No emplee conexiones intermedias del cable de alimentación ni tampoco un cable de extensión; evite también conectar demasiados aparatos a una sola toma de CA.**
Esto podría provocar un incendio o una descarga eléctrica a causa de un contacto o un aislamiento defectuoso, un exceso de corriente, etc.
- **Procure utilizar las piezas suministradas o indicadas para efectuar la instalación.**
El empleo de piezas defectuosas podría provocar lesiones o escapes de agua a causa de un incendio, una descarga eléctrica, la caída de la unidad, etc.
- **Al conectar el enchufe de alimentación en la toma, asegúrese de que no hay polvo, obstrucciones o piezas sueltas ni en la toma ni en el enchufe. Asegúrese de que el enchufe de alimentación está completamente insertado en la toma.**
Si hay polvo, obstrucciones o piezas sueltas en el enchufe de alimentación o la toma, podría provocar incendios o descargas eléctricas. Si el enchufe de alimentación presenta piezas sueltas, sustitúyalo.
- **Fije firmemente la cubierta de la instalación eléctrica a la unidad interior y el panel de servicio, a la unidad exterior.**
Si no se fijan con firmeza la cubierta eléctrica de la unidad interior y el panel de servicio de la unidad exterior, podría producirse un incendio o una descarga eléctrica a causa del polvo, el agua, etc.
- **Al instalar, reubicar o reparar la unidad, asegúrese de que en el circuito de refrigeración no entra ninguna otra sustancia que no sea el refrigerante especificado (R410A).**
La presencia de cualquier otra sustancia extraña, como aire por ejemplo, puede provocar una elevación anómala de la presión, una explosión o daños corporales. El uso de un refrigerante distinto al especificado por el sistema ocasionará fallos mecánicos, mal funcionamiento del sistema o averías en la unidad. En el peor de los casos, esto podría llegar a ser un serio impedimento para garantizar el uso seguro del producto.
- **No descargue el refrigerante en el ambiente. Si se producen fugas de refrigerante durante la instalación, ventile la habitación.**
Si el refrigerante entra en contacto con una llama, podría generarse gas nocivo. La pérdida de refrigerante puede provocar asfixia. Proceda a la ventilación de acuerdo con la norma EN378-1.
- **Una vez acabada la instalación, compruebe que no haya fugas de gas refrigerante.**
Si se produjeran pérdidas de gas refrigerante en un interior y entraran en contacto con la llama de un calefactor con ventilador, un calentador, una estufa, etc. se generarían sustancias nocivas.
- **Utilice las herramientas apropiadas y los materiales de conducción adecuados para la instalación.**
La presión del refrigerante R410A es 1,6 veces mayor que la del R22. Si no se utilizan herramientas o materiales apropiados, o si se realiza una instalación defectuosa, las tuberías podrían estallar o sufrir daños.
- **Al bombear el refrigerante, detenga el compresor antes de desconectar las tuberías de refrigerante.**
Si las tuberías de refrigerante se desconectan con el compresor en marcha y la válvula de retención está abierta, podría entrar aire y la presión del ciclo de refrigeración aumentaría de forma anómala. Esto podría hacer que las tuberías estallaran o sufrieran daños.
- **Al instalar la unidad, conecte las tuberías de refrigerante de forma fija antes de poner en marcha el compresor.**
Si el compresor se pone en marcha antes de que las tuberías de refrigerante estén conectadas y la válvula de retención se abra, podría entrar aire y la presión del ciclo de refrigeración aumentaría de forma anómala. Esto podría hacer que las tuberías estallaran o sufrieran daños.
- **Apriete la tuerca abocardada con una llave dinamo métrica tal y como se especifica en el presente manual.**
Si la aprieta demasiado, la tuerca abocardada podría romperse transcurrido un tiempo, causando pérdidas de refrigerante.
- **Instale la unidad de acuerdo con la normativa para instalaciones eléctricas.**
- **Conecte a tierra la unidad.**
No conecte el cable de tierra a una tubería de gas, de agua o al cable de tierra de un teléfono. Una conexión defectuosa podría provocar una descarga eléctrica.
- **Instale un disyuntor de fuga a tierra.**
Si no se instala este disyuntor, podrían producirse descargas eléctricas o incendios.

⚠ CUIDADO (Podría causar lesiones graves en ciertos entornos si se manipula incorrectamente.)

- **Para efectuar un drenaje y una instalación de tuberías seguros, siga las indicaciones del manual de instalación.**
Un drenaje o una instalación de tuberías defectuosos podría causar un escape de agua en la unidad que mojaría y estropearía los enseres del hogar.
- **No toque la entrada de aire ni las aletas de aluminio de la unidad exterior.**
Esto podría causar lesiones.
- **No instale la unidad exterior donde puedan vivir animales pequeños.**
Si los animales penetran en la unidad y tocan las piezas eléctricas podrían provocar fallos de funcionamiento, humos o incendios. Además, aconseje a los usuarios que mantengan limpia la área alrededor de la unidad.

1-2. ESPECIFICACIONES

Modelo	Alimentación *1			Especificaciones de cables *2		Longitud de tubería y diferencia de altura *3, *4, *5, *6, *7, *8				Nivel Ruido unidad exterior	
	Tensión de régimen	Frecuencia	Capacidad del disyuntor	Alimentación	Cable de conexión entre unidad interior / exterior	Longitud máxima del tubo por unidad interior / para sistema múltiple	Diferencia máxima de altura *9	Nº máx. de codos por unidad interior / para sistema múltiple	Ajuste de refrigerante A *10	Refrigeración	Calefacción
MXZ-2D33VA	220-230-240 V	50 Hz	10 A	3 almas, 1,0 mm ²	4 almas, 1,0/1,5 mm ²	15 m / 20 m	10 m	15 / 20	20 g/m	49 dB(A)	50 dB(A)
MXZ-2D42VA2			15 A	3 almas, 2,0 mm ²		20 m / 30 m	15 m	20 / 30		46 dB(A)	51 dB(A)
MXZ-2D53VA(H)2											50 dB(A)

Nota

Consulte la tabla para conocer las posibles combinaciones (núm. de referencia de servicio).

Al conectar la unidad interior de la serie MFZ-KJ a esta unidad exterior, cargue refrigerante adicional siguiendo las instrucciones de la siguiente tabla.

MXZ-2D33VA

N.º de unidades interiores MFZ-KJ	Longitud de la tubería (L)		Cantidad máxima de refrigerante
	~ 20 m		
1 unidad	100 g adicionales (total 1250 g)		1250 g
2 unidades	No disponible (sólo puede conectarse una unidad interior de la serie MFZ-KJ).		

N.º de unidades interiores MFZ-KJ	Longitud de la tubería (L)		Cantidad máxima de refrigerante
	~ 20 m	~ 30 m	
1 unidad	100 g adicionales (total 1400 g)	100 g + {(L -20) m x 20 g/m}	1600 g
2 unidades	200 g adicionales (total 1500 g)	200 g + {(L -20) m x 20 g/m}	1700 g

- *1 Conecte a un interruptor de alimentación que tenga una separación de 3 mm o más cuando se abra para interrumpir la fase de alimentación de la fuente. (Cuando se cierra el interruptor de alimentación, éste debe desconectar todas las fases).
- *2 Utilice cables que se correspondan con el diseño 60245 IEC 57. Utilice el cable de conexión de la unidad interior/exterior de acuerdo con las especificaciones de los cables que se indican en el manual de instalación de la unidad interior.
- *3 Nunca utilice tuberías de grosor menor que el especificado. La resistencia a la presión sería insuficiente.
- *4 Utilice una tubería de cobre o una tubería de aleación de cobre sin costuras.
- *5 Tenga cuidado de no romper o doblar la tubería cuando la flexione.

- *6 El radio de curvatura de la tubería de refrigerante debe ser de 100 mm o más.
- *7 Material aislante: Plástico de espuma termorresistente con un peso específico de 0,045
- *8 Asegúrese de utilizar un aislamiento de grosor especificado. Un grosor excesivo puede alterar la correcta instalación de la unidad interior y un grosor insuficiente puede generar goteo de rocío.
- *9 Si la unidad exterior está instalada a mayor altura que la unidad interior, la diferencia máxima de altura se reducirá a 10 m.
- *10 Si la longitud de la tubería es superior a 20 m será necesario emplear más refrigerante (R410A). (Si la longitud de la tubería es inferior a 20 m, no es necesario más refrigerante).
Refrigerante adicional = A x (longitud de la tubería (m) – 20)

1-3. SELECCIÓN DE LAS JUNTAS PARA DISTINTOS DIÁMETROS OPCIONALES

Si el diámetro del tubo de conexión no coincide con el tamaño de puerto de la unidad exterior, utilice las juntas para distintos diámetros opcionales de acuerdo con la siguiente tabla.

(Unidad: mm (pulg.))

Tamaño de puerto de la unidad exterior		Juntas para distintos diámetros opcionales (tamaño de puerto de la unidad exterior → diámetro del tubo de conexión)
MXZ-2D	Líquido/gas	9,52 (3/8) → 12,7 (1/2) : MAC-A454JP-E
A, B UNIDAD	6,35 (1/4) / 9,52 (3/8)	Consulte en el manual de instalación de la unidad interior el diámetro del tubo de conexión de la unidad interior.

1-4. SELECCIÓN DEL LUGAR DE INSTALACIÓN

- Donde no esté expuesta a un viento fuerte.
- Donde haya un buen flujo de aire sin polvo.
- Donde se pueda evitar todo lo posible la lluvia o la luz directa del sol.
- Donde el ruido o el aire caliente causados por el funcionamiento no moleste a los vecinos.
- Donde haya una pared o un punto de apoyo firme para evitar un mayor ruido o vibración durante el funcionamiento.
- Donde no exista riesgo de fugas de gas combustible.
- Asegúrese de fijar las patas de la unidad a la hora de instalarla.
- Donde esté a una distancia mínima de 3 m de cualquier antena de televisión o radio. En las zonas con mala recepción, el funcionamiento del aparato de aire acondicionado puede provocar interferencias en estos aparatos. Puede ser necesario conectar el receptor afectado a un amplificador.
- Instale la unidad en horizontal.
- Instálela en un área donde no sufra el efecto provocado por una nevada, viento o nieve. En zonas de intensa nieve, le rogamos que instale un toldo, pedestal y/o algunas pantallas acústicas planas.

Nota:

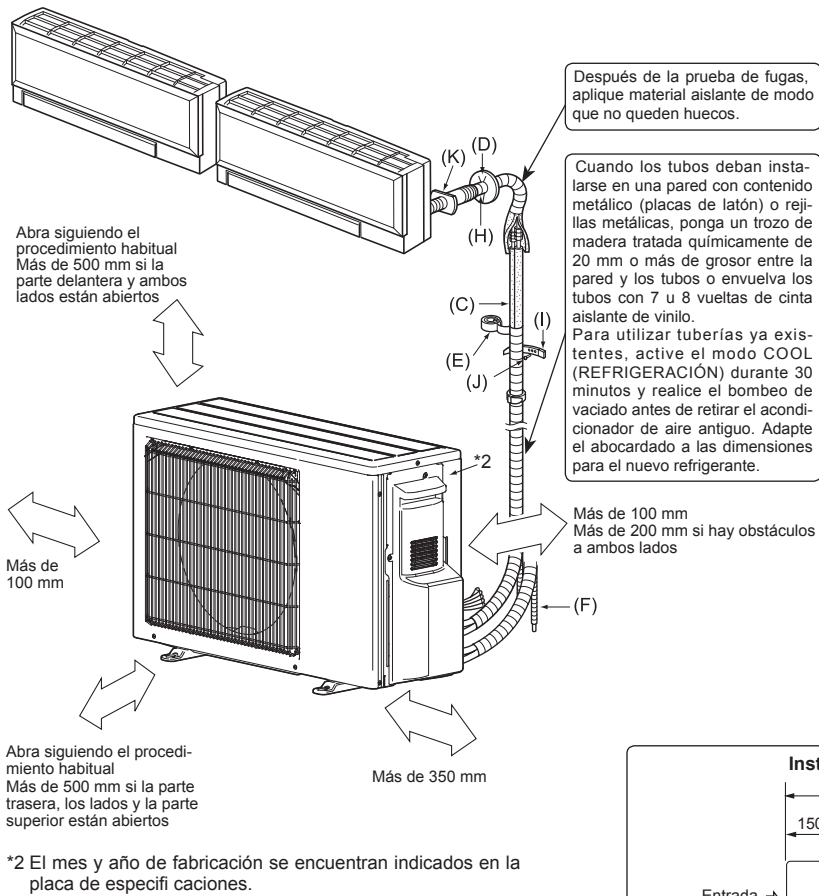
Se recomienda establecer el circuito cerrado de la tubería cerca de la unidad exterior para reducir la vibración que pudiera transmitirse desde ese punto.

Nota:

Si utiliza el acondicionador de aire cuando la temperatura exterior sea baja, observe las instrucciones siguientes.

- No instale nunca la unidad exterior en un lugar en el que el lado de entrada/salida de aire quede expuesto directamente al viento.
 - Para evitar la exposición al viento, instale la unidad exterior con el lado de entrada de aire hacia la pared.
 - Para evitar la exposición al viento, se recomienda instalar una placa deflectora en el lado de salida de aire de la unidad exterior.
- Para instalar el aparato de aire acondicionado, evite los lugares siguientes donde es más probable que ocurran problemas.
- Donde pueda haber una fuga de gas inflamable.
 - Donde haya demasiado aceite para maquinaria.
 - Donde pueda haber salpicaduras de aceite o donde impere un ambiente grasiento (como zonas para cocinar y fábricas, donde las partes de plástico se podrían alterar y dañar).
 - En ambientes salobres, como las zonas costeras.
 - Donde haya gas sulfúrico, como en zonas de baños termales.
 - Donde haya algún equipo inalámbrico o de alta frecuencia.
 - Donde haya elevadas emisiones de COV, incluidos compuestos de ftalato, aldehído fórmico, etc., que puedan causar craqueos.

1-5. DIAGRAMA DE INSTALACIÓN



ACCESORIOS

Antes de la instalación, compruebe que tiene las siguientes piezas.

(1)	Boquilla de drenaje	1
-----	---------------------	---

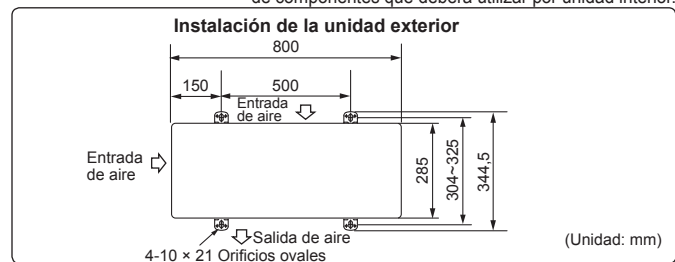
COMPONENTES QUE DEBERÁ ADQUIRIR LOCALMENTE

(A)	Cable de alimentación*1	1
(B)	Cable de conexión interior/exterior*1	1
(C)	Tubo de conexión	1
(D)	Cubierta del orificio de la pared	1
(E)	Cinta para las conexiones	1
(F)	Prolongación del tubo de drenaje (tubería de PVC blando de 15 mm en el interior o tubería VP16 de PVC duro)	1
(G)	Aceite refrigerante	Poca cantidad
(H)	Masilla	1
(I)	Banda de fijación del tubo	2 a 7
(J)	Tornillo de fijación para (I)	2 a 7
(K)	Manguito del orificio de la pared	1
(L)	Manguera de PVC blando de 15 mm en el interior o tubería VP16 de PVC duro para tapa de desagüe (1)	1

Nota:

*1 Tienda el cable de conexión de la unidad interior/exterior (B) y el cable de alimentación (A) al menos a 1 m de distancia del cable de la antena de televisión.

Las "cantidades" referenciadas (B) y (K) indican el nº de componentes que deberá utilizar por unidad interior.



La unidad debe ser instalada por el servicio oficial de acuerdo con la normativa local.

1-6. TUBERÍA DE DRENAJE PARA LA UNIDAD EXTERIOR

La tarea de las tuberías de drenaje sólo debe realizarse cuando se deba drenar desde un único sitio.

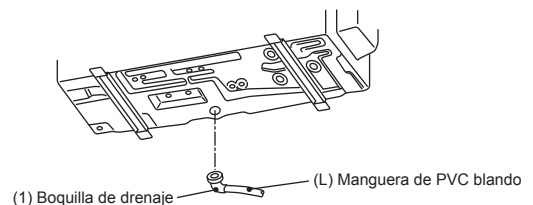
- 1) Disponga las tuberías de drenaje antes de proceder a la conexión de las tuberías interiores y exteriores.
- 2) Conecte la manguera de PVC blando (L), con diámetro interior de 15 mm, según se muestra en la ilustración.
- 3) La tubería de drenaje debe tener una pendiente descendente para facilitar el flujo.

Nota:

Instale la unidad en horizontal.

No utilice tapa de desagüe (1) en regiones frías. El agua de drenaje se puede congelar y provocar la parada del ventilador.

La unidad exterior produce condensación durante la función de calefacción. Seleccione un lugar para la instalación en el que la unidad exterior y las tomas de tierra no se humedezcan con el agua de drenaje ni se dañen debido a la congelación de dicha agua.

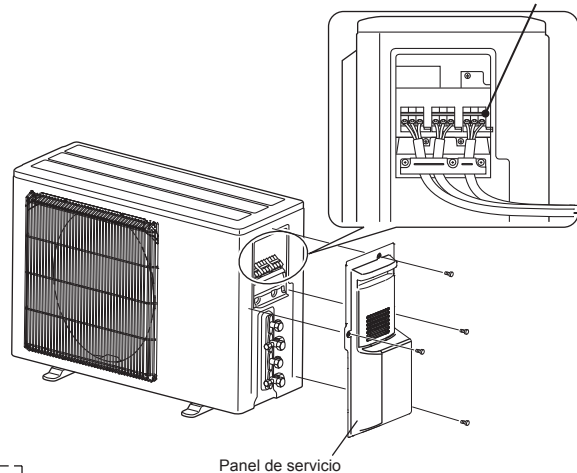


2. INSTALACIÓN DE LA UNIDAD EXTERIOR

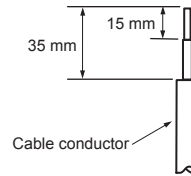
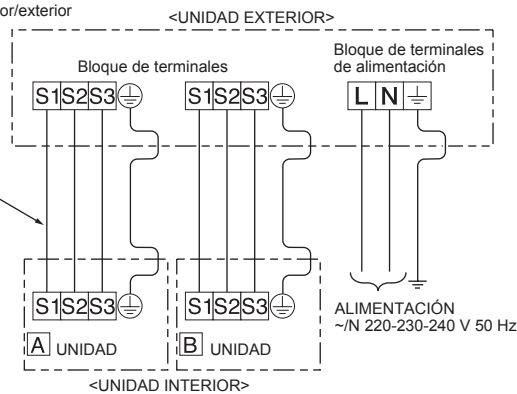
2-1. CABLES DE CONEXIÓN PARA LA UNIDAD EXTERIOR

- 1) Extraiga el panel de servicio.
- 2) Afloje el tornillo del terminal y conecte correctamente el cable de conexión de la unidad interior/exterior (B) desde la unidad interior en el bloque de terminales. Procure no equivocarse al hacer las conexiones. Fije con firmeza el cable al bloque de terminales de modo que no quede a la vista ninguna parte del alma, y que no se aplique ninguna fuerza externa a la sección de conexión del bloque de terminales.
- 3) Apriete bien los tornillos de los terminales para que no se aflojen. Una vez apretados, tire ligeramente de los cables para confirmar que no se mueven.
- 4) Siga los pasos 2) y 3) para cada unidad interior.
- 5) Conecte el cable de alimentación (A).
- 6) Fije el cable de conexión de la unidad interior/exterior (B) y el cable de alimentación (A) con las abrazaderas de cable.
- 7) Cierre firmemente el panel de servicio. Asegúrese de que 3-2. CONEXIÓN DE TUBERÍAS ha terminado.
 - Después de hacer las conexiones entre el cable de alimentación (A) y el cable de conexión de la unidad interior/exterior (B), asegúrese de fijar ambos cables con abrazaderas de cable.

Bloque de terminales para la alimentación



Cable de conexión interior/exterior



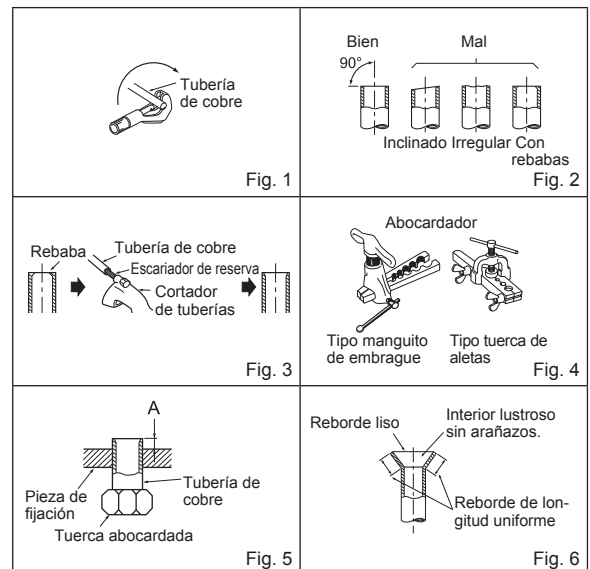
- Asegúrese de conectar cada tornillo con su terminal correspondiente cuando fije los cables al panel de terminales.
- El cable de tierra tiene que ser un poco más largo que los otros (más de 35 mm).
- Con vistas a un futuro mantenimiento, prolongue los cables de conexión.

3. TRABAJOS DE ABOCARDADO Y CONEXIÓN DE TUBERÍAS

3-1. TAREAS DE ABOCARDAMIENTO

- 1) Corte el tubo de cobre correctamente con un cortador de tubos. (Fig. 1, 2)
- 2) Elimine completamente las rebabas del corte transversal del tubo. (Fig. 3)
 - Oriente la tubería de cobre hacia abajo para evitar que las rebabas caigan dentro de la misma.
- 3) Una vez eliminadas las rebabas, extraiga las tuercas abocardadas colocadas en las unidades interior y exterior y póngalas en el tubo. (Cuando se ha terminado el proceso de abocardado ya no se pueden poner).
- 4) Labores de abocardamiento (Fig. 4, 5). Sujete firmemente el tubo de cobre de la dimensión que se muestra en la tabla. Seleccione la medida A en la tabla de acuerdo con la herramienta seleccionada.
- 5) Compruebe
 - Compare el abocardado con la Fig. 6.
 - Si el abocardado se ve defectuoso, corte la sección abocardada y repita el proceso de abocardado.

Diámetro del tubo (mm)	Tuerca (mm)	A (mm)			Par de torsión	
		Herramienta tipo embrague para R410A	Herramienta tipo embrague para R22	Herramienta tipo tuerca de mariposa para R22	N•m	kgf•cm
ø6,35 (1/4")	17	0 - 0,5	1,0 - 1,5	1,5 - 2,0	13,7 - 17,7	140 - 180
ø9,52 (3/8")	22			34,3 - 41,2	350 - 420	
ø12,7 (1/2")	26			49,0 - 56,4	500 - 575	
ø15,88 (5/8")	29			73,5 - 78,4	750 - 800	



3-2. CONEXIÓN DE TUBERÍAS

- 1) Aplique una capa fina de aceite refrigerante (G) a los extremos abocardados de las conexiones de la tubería de la unidad exterior.
- 2) Alinee el centro de la tubería con el centro de las conexiones de la tubería de la unidad exterior y apriete a mano las primeras 3 o 4 vueltas de la tuerca abocardada.
- 3) Apriete la tuerca abocardada con una llave dinamo métrica tal y como se especifica en la tabla.
 - Si la aprieta demasiado podría dañarse la tuerca abocardada, causando pérdidas de refrigerante.
 - No olvide envolver las tuberías con cinta aislante. El contacto directo con la tubería descubierta podría causar quemaduras o congelación.

⚠ ATENCIÓN
Al instalar la unidad, conecte las tuberías de refrigerante de forma fija antes de poner en marcha el compresor.

3-3. AISLAMIENTO TÉRMICO Y FORRADO CON CINTA

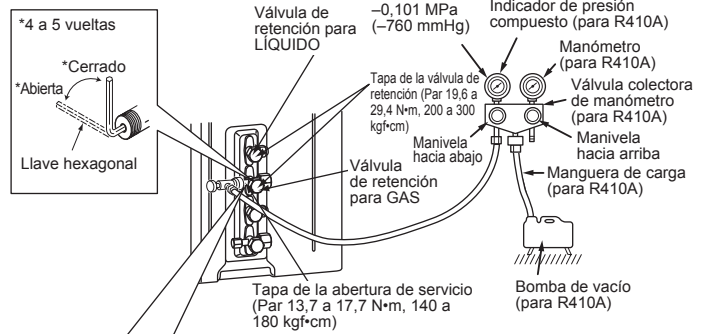
- 1) Cubra las uniones de tuberías con cubiertas de tubería.
- 2) En el lado de la unidad exterior, aisle bien cada una de las tuberías y válvulas.
- 3) Aplique cinta de tuberías (E) a partir de la entrada de la unidad exterior.
 - Sujete con cinta (adhesiva) el extremo de la cinta de tuberías (E).
 - Cuando las tuberías deban colocarse por encima del techo, en un armario empotrado o en lugares con una temperatura y humedad elevadas, tendrá que aplicar una cantidad suplementaria de aislante para evitar la condensación.

⚠ CUIDADO
Si quedan puertos sin utilizar, asegúrese de apretar firmemente sus tuercas.

4. PROCEDIMIENTOS DE PURGADO, PRUEBA DE FUGAS Y FUNCIONAMIENTO DE PRUEBA

4-1. PROCEDIMIENTO DE PURGADO Y PRUEBA DE FUGAS

- 1) Retire la tapa de la abertura de servicio de la válvula de retención situada en el lado de la tubería de gas de la unidad exterior. (Inicialmente, las válvulas de retención están completamente cerradas y cubiertas con sus tapas).
- 2) Conecte la válvula colectorora de manómetro y la bomba de vacío al puerto de servicio de la válvula de retención en el lado de la tubería del gas de la unidad exterior.
- 3) Ponga en funcionamiento la bomba de vacío. (Déjela funcionar durante más de 15 minutos).
- 4) Compruebe el vacío con la válvula colectorora de manómetro, cierre luego esta válvula y detenga la bomba de vacío.
- 5) Espere así uno o dos minutos. Asegúrese de que el indicador de la válvula colectorora de manómetro permanece en la misma posición. Compruebe que el manómetro de presión marca $-0,101$ MPa [manómetro] (-760 mmHg).
- 6) Extraiga rápidamente la válvula colectorora de manómetro del puerto de servicio de la válvula de retención.
- 7) Abra por completo todas las válvulas de retención de la tubería de gas y de la tubería de líquido. Si no se lleva a cabo esta operación abriendo dichas válvulas por completo, el rendimiento disminuirá y se producirán problemas.
- 8) Consulte 1-2., e introduzca la cantidad indicada de refrigerante si fuera necesario. Introduzca el refrigerante líquido con lentitud. De lo contrario, la composición del refrigerante en el sistema puede cambiar y afectar al rendimiento del equipo de aire acondicionado.
- 9) Apriete la tapa del puerto de servicio para volver al estado inicial.
- 10) Prueba de fugas



Precauciones al utilizar la válvula de control

Al conectar la válvula de control al puerto de servicio, la pieza interior de la válvula podría deformarse o soltarse si se aplica demasiada presión. Esto podría provocar fugas de gas.

Al conectar la válvula de control al puerto de servicio, asegúrese de que la pieza interior de la válvula está cerrada, y a continuación apriete la pieza A. No apriete la pieza A ni gire la pieza interior cuando esté abierta la válvula.

4-2. CARGA DE GAS

Efectúe la carga de gas en la unidad.

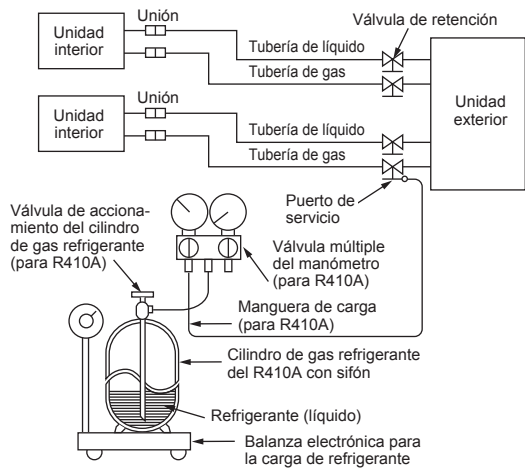
- 1) Conecte el cilindro de gas a la abertura de servicio de la válvula de retención.
- 2) Purgue el aire de la tubería (o manguera) procedente del cilindro del refrigerante.
- 3) Añada la cantidad de refrigerante indicada mientras el equipo de aire acondicionado funciona en modo de refrigeración.

Nota:

Si añade refrigerante, no sobrepase la cantidad especificada para el ciclo de refrigeración.

CUIDADO:

Al añadir más refrigerante al sistema, asegúrese de utilizar refrigerante en estado líquido. Recuerde que si carga el refrigerante en estado gaseoso, su composición puede alterarse en el sistema y afectar a la operación normal del acondicionador del aire. Recuerde también cargar el refrigerante líquido poco a poco, ya que de lo contrario puede bloquear el compresor. Para mantener alta la presión del cilindro de gas, caliente el cilindro de gas con agua caliente (a menos de 40°C) en las estaciones frías. Nunca utilice fuego o vapor.

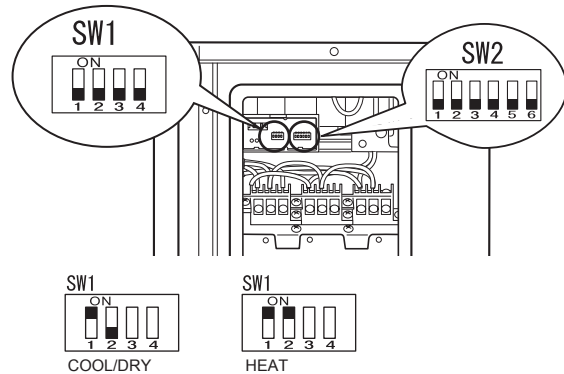


4-3. BLOQUEAR EL MODO DE FUNCIONAMIENTO DEL AIRE ACONDICIONADO (COOL (REFRIGERACIÓN), DRY (DESHUMIDIFICACIÓN), HEAT (CALEFACCIÓN))

- Descripción de la función:
Con esta función, una vez que el modo de funcionamiento se ha bloqueado en COOL/DRY (REFRIGERACIÓN/DESHUMIDIFICACIÓN) o HEAT (CALEFACCIÓN), el acondicionador de aire funciona únicamente en ese modo.
- * Es necesario cambiar el ajuste para activar esta función. Explique esta función a sus clientes y pregúnteles si desean usarla.

[Cómo bloquear el modo de funcionamiento]

- 1) Asegúrese de apagar el acondicionador de aire antes de realizar este ajuste.
- 2) Ajuste el interruptor "1" de SW1 en el panel de la pantalla exterior en la posición ON para habilitar esta función.
- 3) Para bloquear el funcionamiento en el modo COOL/DRY (REFRIGERACIÓN/DESHUMIDIFICACIÓN), ajuste el interruptor "2" de SW1 en el panel de la pantalla exterior en la posición OFF. Para bloquear el funcionamiento en el modo HEAT, ajuste el mismo interruptor en la posición ON.
- 4) Encienda el acondicionador de aire.



4-4. REDUCIR EL RUIDO DE FUNCIONAMIENTO DE LA UNIDAD EXTERIOR

- Descripción de la función:
Con esta función, que reduce la carga de funcionamiento, puede limitarse el ruido de la unidad exterior durante la noche en modo COOL (REFRIGERACIÓN). Sin embargo, tenga en cuenta que la capacidad de refrigeración y calefacción puede reducirse al activar esta función.
- * Es necesario cambiar el ajuste para activar esta función. Explique esta función a sus clientes y pregúnteles si desean usarla.

[Cómo reducir el ruido de funcionamiento]

- 1) Asegúrese de apagar el acondicionador de aire antes de realizar este ajuste.
- 2) Ajuste el interruptor "3" de SW1 en el panel de la pantalla exterior en la posición ON para habilitar esta función.
- 3) Encienda el acondicionador de aire.



4-5. COMPROBACIÓN DE FUNCIONAMIENTO

- Deben realizarse pruebas de funcionamiento de las unidades interiores de forma individual. Consulte el manual de instalación que acompaña a la unidad interior y asegúrese de que todas las unidades funcionan correctamente.
- Si se realiza la prueba de funcionamiento de todas las unidades al mismo tiempo, no podrán detectarse posibles conexiones erróneas de las tuberías de refrigerante ni de los cables que conectan las unidades interiores y la exterior. Por lo tanto, asegúrese de realizar la prueba de funcionamiento de las unidades una a una.

Asegúrese de lo siguiente.

- La unidad recibe corriente.
- Las válvulas de retención están abiertas.

Acerca del mecanismo de protección de la reanudación

Una vez se haya detenido el compresor, el dispositivo de prevención de la reanudación se activa de forma que el compresor no vuelve a ponerse en funcionamiento durante 3 minutos para proteger el acondicionador de aire.

4-6. EXPLICACIÓN PARA EL USUARIO

- Basándose en el MANUAL DE INSTRUCCIONES, explique al usuario cómo utilizar el equipo de aire acondicionado (cómo utilizar el controlador remoto, cómo retirar los filtros de aire, cómo retirar o colocar el control remoto en el soporte para el controlador remoto, cómo limpiar, precauciones para el funcionamiento, etc.)
- Aconseje al usuario que lea atentamente el MANUAL DE INSTRUCCIONES.

5. BOMBEO DE VACIADO

Cuando traslade o se deshaga del aparato de aire acondicionado, realice un bombeo de vaciado en el sistema siguiendo el procedimiento indicado a continuación para que no escape nada de refrigerante a la atmósfera.

- 1) Desactive el disyuntor.
- 2) Conecte la válvula colectora de manómetro al puerto de servicio de la válvula de retención en el lado de la tubería del gas de la unidad exterior.
- 3) Cierre completamente la válvula de retención en el lado de la tubería de líquido de la unidad exterior.
- 4) Active el disyuntor.
- 5) Inicie el funcionamiento de REFRIGERACIÓN (COOL) de emergencia en todas las unidades interiores.
- 6) Cuando el indicador de presión muestre de 0,05 a 0 MPa [manómetro] (aproximadamente 0,5 a 0 kgf/cm²), cierre completamente la válvula de retención del lado de la tubería de gas de la unidad exterior y detenga el funcionamiento. (Consulte el manual de instalación de la unidad interior para obtener más detalles acerca del método de detención de la operación).
 - * Si se ha añadido demasiado refrigerante al sistema acondicionador de aire, puede que la presión no baje a 0,05 MPa [manómetro] (aproximadamente 0,5 kgf/cm²), o que la función de protección se ponga en funcionamiento debido a la subida de presión en el circuito de refrigeración de alta presión. Si esto ocurre, utilice el recogedor de refrigerante para recoger todo el refrigerante del sistema y, a continuación, una vez que las unidades interior y exterior se hayan reubicado, vuelva a recargar el sistema con la cantidad adecuada de refrigerante.
- 7) Desactive el disyuntor. Retire el medidor de presión y las tuberías de refrigerante.

⚠ ATENCIÓN

Al realizar el vaciado del refrigerante, detenga el compresor antes de desconectar las tuberías de refrigerante.
El compresor podría explotar y causar lesiones si penetrara alguna sustancia extraña, como por ejemplo aire, en las tuberías.

SOMMARIO

1. PRIMA DELL'INSTALLAZIONE.....	1
2. INSTALLAZIONE UNITÀ ESTERNA.....	4
3. SVASATURA E COLLEGAMENTO DEI TUBI.....	4
4. PROCEDURE DI SPURGO, VERIFICA DI PERDITE E FUNZIONAMENTO DI PROVA...5	
5. POMPAGGIO.....	6

Strumenti necessari per l'installazione

Cacciavite a croce	Attrezzo per svasatura per R410A
Livella	Raccordo del manometro per R410A
Righello graduato	R410A
Cotello multiuso o forbici	Pompa a depressione per R410A
Chiave dinamometrica	Tubo flessibile di carica per R410A
Chiave (o chiave fissa)	Tagliatubi con alesatore
Chiave esagonale 4 mm	

1. PRIMA DELL'INSTALLAZIONE

1-1. PRECAUZIONI PER LA SICUREZZA

- Leggere la sezione "PRECAUZIONI PER LA SICUREZZA" da osservare scrupolosamente prima di installare il condizionatore d'aria.
- Osservare sempre le avvertenze e le precauzioni elencate di seguito in quanto esse includono informazioni importanti per la sicurezza.
- Una volta letto il manuale, conservarlo unitamente al LIBRETTO D'ISTRUZIONI per un eventuale riferimento futuro.

▲ AVVERTENZA (Potrebbe provocare decesso, gravi lesioni, ecc.)

■ Non installare l'unità da sé (utente).

Un'installazione incompleta potrebbe causare incendi, scosse elettriche, lesioni dovute alla caduta dell'unità a perdite d'acqua. Consultare il rivenditore presso cui si è acquistata l'unità oppure un tecnico qualificato.

■ Eseguire l'installazione in modo sicuro facendo riferimento al manuale per l'installazione.

Un'installazione incompleta potrebbe causare incendi, scosse elettriche, lesioni dovute alla caduta dell'unità a perdite d'acqua.

■ Per procedere in tutta sicurezza all'installazione dell'unità, utilizzare gli strumenti e le attrezzature di protezione adeguati.

In caso contrario, si rischiano lesioni.

■ Installare saldamente l'unità in una posizione in grado di sostenere il peso dell'unità stessa.

In caso contrario, l'unità potrebbe cadere e provocare lesioni.

■ I collegamenti elettrici devono essere effettuati da un elettricista qualificato ed esperto, secondo le istruzioni del manuale d'installazione. Utilizzare un circuito dedicato. Non collegare altri dispositivi elettrici al circuito.

Qualora la capacità del circuito di alimentazione fosse insufficiente o i collegamenti fossero incompleti, potrebbero sussistere rischi di incendio o scosse elettriche.

■ Fare attenzione a non danneggiare i fili applicando su di essi una pressione eccessiva con pezzi o viti.

Fili danneggiati possono provocare incendi o scosse elettriche.

■ Spegnerne l'interruttore principale durante l'impostazione del circuito stampato dell'unità interna o l'esecuzione dei cablaggi.

In caso contrario, si potrebbero verificare scosse elettriche.

■ Utilizzare fili del tipo specificato per collegare le unità interna ed esterna e fissarli saldamente ai terminali in modo che lo sforzo a essi applicato non venga trasferito ai terminali stessi. Non utilizzare prolunghe, né collegamenti intermedi.

Collegamenti incompleti e un fissaggio insufficiente potrebbero causare incendi.

■ Non installare l'unità in una posizione in cui possono essere presenti perdite di gas infiammabile.

Se intorno all'unità si dovessero presentare perdite e accumuli di gas, questo potrebbe causare esplosioni.

■ Non utilizzare collegamenti intermedi del cavo di alimentazione o una prolunga e non collegare molti apparecchi a una sola presa di CA.

Ciò potrebbe causare rischi di incendi o scosse elettriche dovuti a contatti difettosi, isolamento difettoso, eccessivo consumo, ecc.

■ Per il lavoro di installazione, utilizzare i componenti forniti in dotazione o i componenti specificati.

L'uso di componenti difettosi potrebbe causare rischi di lesioni o perdite di acqua dovuti a incendi, scosse elettriche, cadute dell'unità, ecc.

■ Collegando la spina di alimentazione alla presa, verificare che non vi siano polvere, ostruzioni o parti mancanti nella presa e nella spina. Verificare che la spina di alimentazione sia inserita completamente nella presa.

In caso di polvere, ostruzioni o parti mancanti sulla spina di alimentazione o sulla presa, potrebbero determinare scosse elettriche o incendi. In caso di parti mancanti nella spina di alimentazione, sostituirle.

■ Montare saldamente il coperchio dei terminali sull'unità interna e il

pannello di servizio sull'unità esterna.

Qualora il coperchio dei terminali dell'unità interna e/o il pannello di servizio dell'unità esterna non fossero montati saldamente, ciò potrebbe causare rischi di incendio o scosse elettriche dovuti a polvere, acqua, ecc.

■ Quando si installa o si riposiziona l'unità, nonché quando se ne esegue la manutenzione, accertarsi che nessuna sostanza oltre il refrigerante specificato (R410A) penetri nel circuito refrigerante.

La presenza di sostanze estranee come l'aria potrebbe provocare un anomalo aumento della pressione, con conseguente rischio di esplosione o lesioni personali. L'uso di refrigeranti diversi rispetto a quello specificato per il sistema darà luogo a guasti meccanici, malfunzionamenti del sistema o avaria dell'unità. Nell'ipotesi più grave, ciò potrebbe gravemente compromettere la sicurezza d'uso del prodotto.

■ Non far uscire il refrigerante nell'atmosfera. In caso di perdite di refrigerante durante l'installazione, aerare il locale.

Se il refrigerante viene a contatto con una fiamma, si potrebbero generare gas pericolosi. La perdita di refrigerante può provocare asfissia. Prevedere un'adeguata ventilazione in conformità alla norma EN378-1.

■ Una volta completata l'installazione, verificare che non vi siano perdite di gas refrigerante.

Qualora vi fossero perdite di refrigerante all'interno e questo venisse a contatto con la fiamma di un riscaldatore del ventilatore, un apparecchio di riscaldamento, un fornello, ecc., saranno generate sostanze pericolose.

■ Per l'installazione utilizzare strumenti e materiali per tubazioni adatti.

La pressione del R410A è 1,6 volte superiore rispetto a quella del R22. Il mancato utilizzo di strumenti o materiali adatti e l'installazione incompleta potrebbero provocare lesioni o l'esplosione dei tubi.

■ Eseguendo il pompaggio del refrigerante, arrestare il compressore prima di scollegare i tubi del refrigerante.

Se i tubi del refrigerante sono scollegati mentre il compressore è in funzione e la valvola di arresto è aperta, l'aria potrebbe penetrare e la pressione nel ciclo refrigerante potrebbe aumentare in modo anomalo. Ciò potrebbe provocare lesioni o l'esplosione dei tubi.

■ Installando l'unità, collegare saldamente i tubi del refrigerante prima di azionare il compressore.

Se si aziona il compressore prima di collegare i tubi del refrigerante e quando la valvola di arresto è aperta, l'aria potrebbe penetrare e la pressione nel ciclo refrigerante potrebbe aumentare in modo anomalo. Ciò potrebbe provocare lesioni o l'esplosione dei tubi.

■ Serrare il dado a cartella con la chiave dinamometrica alla coppia specificata nel presente manuale.

In caso di serraggio eccessivo, il dado a cartella rischia di rompersi dopo un lungo periodo, con una conseguente perdita di refrigerante.

■ Occorre installare l'unità secondo quanto prescritto dalle leggi nazionali in materia di collegamenti elettrici.

■ Collegare correttamente a terra l'unità.

Non collegare la messa a terra con un tubo del gas, dell'acqua, un parafulmine o un filo del telefono. Una messa a terra difettosa potrebbe causare scosse elettriche.

■ Installare un interruttore delle perdite a terra.

Vi è altrimenti il rischio di scosse elettriche o incendi.

▲ ATTENZIONE (In condizioni particolari, l'apparecchio può causare lesioni gravi se utilizzato in modo scorretto.)

■ Eseguire accuratamente i collegamenti dei tubi e degli scarichi secondo quanto indicato nel manuale per l'installazione.

Se i collegamenti dei tubi e degli scarichi sono eseguiti in modo scorretto, si possono verificare perdite d'acqua che possono causare danni ai mobili di casa.

■ Non toccare la presa d'aria né le alette di alluminio dell'unità esterna.

Ciò potrebbe provocare lesioni.

■ Non installare l'unità esterna in luoghi in cui vivono piccoli animali.

Se piccoli animali penetrano o vengono a contatto con i componenti elettrici interni dell'unità, potrebbero provocare guasti, emissioni di fumo o incendi. Inoltre, informare l'utente della necessità di tenere pulita l'area intorno all'unità.

1-2. SPECIFICHE

Modello	Alimentatore *1		Specifiche dei cavi *2		Differenza tra lunghezza e altezza tubo *3, *4, *5, *6, *7, *8				Livello Rumore unità est.		
	Tensione nominale	Frequenza	Capacità dell'interruttore	Alimentatore	Cavo di collegamento interno ed esterno	Lunghezza totale dei tubi per unità interna / multi system	Differenza altezza massima *9	N° massimo di curve per unità interna / multi system	Regolazione refrigerante A *10	Raffreddamento	Riscaldamento
MXZ-2D33VA	220-230-240 V	50 Hz	10 A	3 nuclei 1,0 mm ²	4 nuclei 1,0/1,5 mm ²	15 m / 20 m	10 m	15 / 20	20 g/m	49 dB(A)	50 dB(A)
MXZ-2D42VA2			15 A	3 nuclei 2,0 mm ²		20 m / 30 m	15 m	20 / 30		46 dB(A)	51 dB(A)
MXZ-2D53VA(H)2											50 dB(A)

Nota:

Per le possibili combinazioni, consultare la tabella (n. di riferimento di servizio).

Quando si collega a questa unità esterna un'unità interna della serie MFZ-KJ, caricare refrigerante supplementare seguendo le istruzioni della tabella riportata di seguito.

MXZ-2D33VA

N° di unità interne MFZ-KJ	Lunghezza tubazione (L)		Quantità massima di refrigerante
	~ 20 m		
1 unità	100 g supplementari (totale 1250 g)		1250 g
2 unità	Non disponibile (è possibile collegare solo un'unità interna della serie MFZ-KJ.)		

MXZ-2D42VA2 MXZ-2D53VA2 MXZ-2D53VAH2

N° di unità interne MFZ-KJ	Lunghezza tubazione (L)		Quantità massima di refrigerante
	~ 20 m	~ 30 m	
1 unità	100 g supplementari (totale 1400 g)	100 g + {(L -20) m x 20 g/m}	1600 g
2 unità	200 g supplementari (totale 1500 g)	200 g + {(L -20) m x 20 g/m}	1700 g

- *1 Collegare all'interruttore di alimentazione che presenta un gioco di almeno 3 mm quando viene aperto per interrompere la presa di energia elettrica dalla sorgente. (Quando l'interruttore di alimentazione è disattivato, deve scollegare tutti i poli.)
- *2 Utilizzare cavi conformi al modello 60245 IEC 57. Utilizzare il cavo di collegamento tra l'unità interna e quella esterna in conformità con le relative specifiche nel manuale d'installazione dell'unità interna.
- *3 Non utilizzare mai cavi di spessore inferiore a quello specificato. La resistenza alla pressione sarebbe insufficiente.
- *4 Utilizzare un tubo di rame o un tubo senza guarnizione in lega di rame.
- *5 Prestare attenzione a non schiacciare e a non piegare il tubo durante la piegatura del tubo.

- *6 Il raggio di curvatura dei tubi del refrigerante deve essere di almeno 100 mm.
- *7 Materiale isolante: schiuma di plastica termoresistente con densità specifica 0,045
- *8 Prestare attenzione a utilizzare isolante dello spessore specificato. Uno spessore eccessivo può causare un'installazione non corretta dell'unità interna e uno spessore insufficiente causa condensa.
- *9 Se l'unità esterna viene installata ad un'altezza superiore rispetto a quella dell'unità interna, la differenza massima in altezza viene ridotta a 10 m.
- *10 Se la lunghezza del tubo supera i 20 m, è necessaria una carica aggiuntiva di refrigerante (R410A). (Non è necessaria alcuna carica aggiuntiva per tubi di lunghezza inferiore a 20 m.)
Refrigerante supplementare = A × (lunghezza del tubo (m) - 20)

1-3. SCELTA DEI GIUNTI OPZIONALI DI DIAMETRO DIVERSO

Se il diametro del tubo di allacciamento non corrisponde alle dimensioni dell'apertura dell'unità esterna, utilizzare giunti di diametro diverso secondo le indicazioni della tabella seguente.

(Unità: mm (pollici))

Dimensioni apertura unità esterna		Giunti opzionali di diametro diverso (dimensioni apertura unità esterna → diametro tubo di allacciamento)
MXZ-2D	Liquido / Gas	9,52 (3/8) → 12,7 (1/2) : MAC-A454JP-E
A, B UNITÀ	6,35 (1/4) / 9,52 (3/8)	Per il diametro del tubo di allacciamento dell'unità interna, consultare il manuale d'installazione dell'unità interna.

1-4. SCELTA DELLA POSIZIONE DI INSTALLAZIONE

- Luoghi in cui non sia esposta a forte vento.
- Luoghi in cui il flusso dell'aria è sufficiente e senza polvere.
- Luoghi in cui il rischio di esposizione a pioggia o luce solare diretta sia quanto minore possibile.
- Luoghi in cui non disturbi i vicini con il rumore o l'aria calda.
- Luoghi in cui è presente un muro o supporto rigido per limitare il rumore e le vibrazioni.
- Luoghi in cui non vi siano rischi di perdite di combustibili o gas.
- Quando si installa l'unità, accertarsi di fissare saldamente le gambe dell'unità stessa.
- Ad almeno 3 m di distanza dall'antenna del televisore o della radio. Nelle zone in cui la ricezione è debole, il funzionamento del condizionatore può interferire con la ricezione radiofonica o televisiva. È possibile che si renda necessario dotare l'apparecchio disturbato di un amplificatore.
- Installare orizzontalmente l'unità.
- Eseguire l'installazione in un'area non esposta a vento e neve. In zone soggette a forti nevicate, installare una copertura, un piedistallo e/o eventuali pannelli protettivi.

Nota:

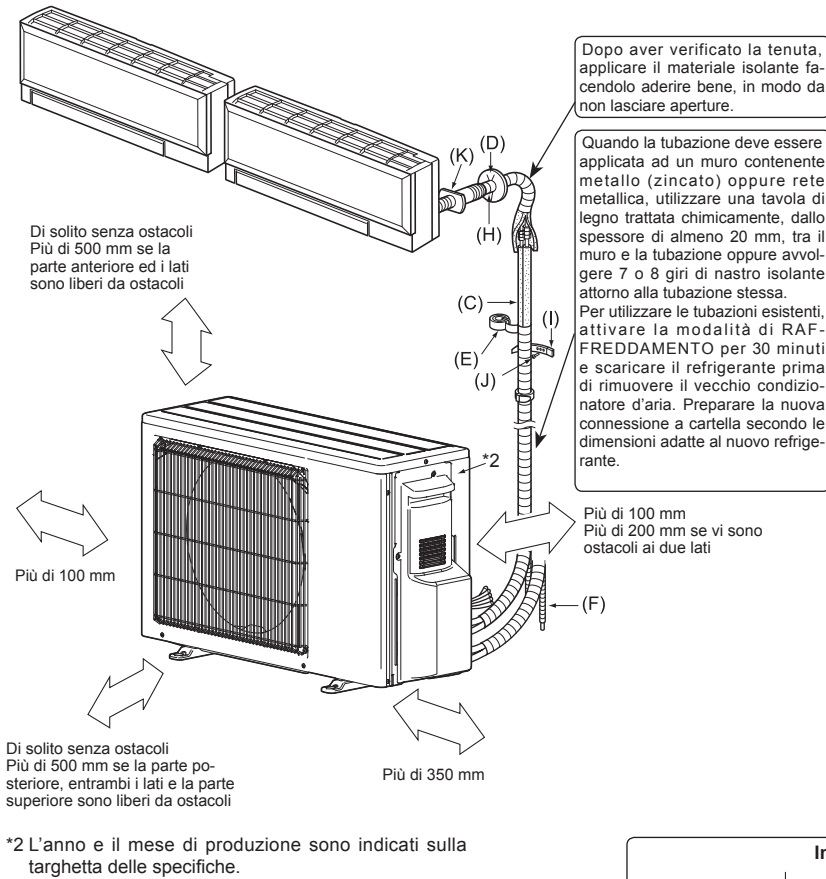
Si consiglia di fare un cappio nella tubazione nei pressi dell'unità esterna in modo da ridurre le vibrazioni trasmesse da quel punto.

Nota:

Quando la temperatura esterna è bassa, utilizzare il condizionatore d'aria attenendosi alle seguenti istruzioni.

- Non installare mai l'unità esterna con il lato d'ingresso/uscita aria direttamente esposto al vento.
 - Per evitare l'esposizione al vento, installare l'unità esterna posizionando il lato d'ingresso aria di fronte a un muro.
 - Per evitare l'esposizione al vento, si raccomanda di installare un deflettore di protezione sul lato di uscita aria dell'unità esterna.
- Evitare le seguenti posizioni di installazione che possono causare problemi di funzionamento.
- Luoghi in cui si possono verificare perdite di gas infiammabile.
 - Luoghi in cui sono depositate grandi quantità di olio lubrificante.
 - Luoghi in cui si possono verificare schizzi d'olio o in cui gli ambienti siano intrisi di fumi oleosi (ad esempio cucine o fabbriche, in cui potrebbero verificarsi modifiche o danneggiamenti delle proprietà plastiche).
 - In presenza di aria salmastra.
 - In presenza di gas solforosi, ad esempio vicino a una sorgente calda.
 - In presenza di dispositivi ad alta frequenza o senza fili.
 - In presenza di elevati livelli di composti organici volatili, compresi composti di ftalato, formaldeide, ecc., che possono causare cracking chimico.

1-5. SCHEMA DI INSTALLAZIONE



ACCESSORI

Controllare le parti elencate qui di seguito prima dell'installazione.

(1) Alloggiamento dello scarico	1
---------------------------------	---

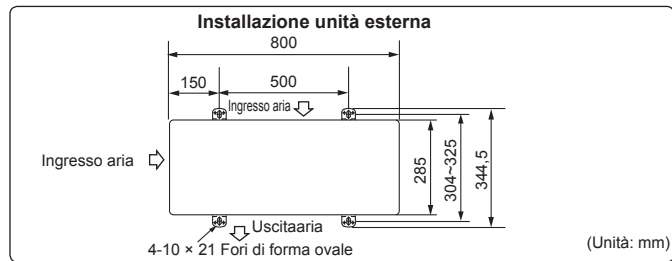
PARTI DA FORNIRE SUL POSTO

(A) Cavo di alimentazione*1	1
(B) Cavo di collegamento unità interna ed esterna*1	1
(C) Tubo rigido di collegamento	1
(D) Coperchio del foro sulla parete	1
(E) Nastro per tubi	1
(F) Prolunga del tubo flessibile di drenaggio (oppure tubo flessibile di cloruro di vinile con 15 mm di diametro interno, o tubo rigido di cloruro di vinile VP16)	1
(G) Olio refrigerante	Piccola quantità
(H) Stucco	1
(I) Nastro di fissaggio del tubo	da 2 a 7
(J) Vite di fissaggio per (I)	da 2 a 7
(K) Manica foro muro	1
(L) Tubo flessibile in PVC con diametro interno di 15 mm o tubo rigido in PVC VP16 per l'alloggiamento dello scarico (1)	1

Nota:

*1 Porre il cavo di collegamento unità interna ed esterna (B) ed il cavo di alimentazione (A) ad almeno 1 metro di distanza dal filo dell'antenna del televisore.

La "Quantità" per gli elementi da (B) a (K) indicata nella tabella precedente si intende per ciascuna unità interna.



Le unità devono essere installate da tecnici qualificati in osservanza delle normative locali.

1-6. TUBAZIONE DI SCARICO PER L'UNITÀ ESTERNA

Installare il tubo di scarico soltanto quando si deve eseguire lo scarico da un punto.

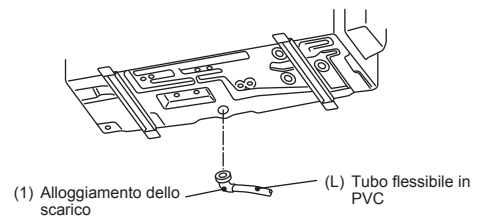
- 1) Installare la tubazione di scarico prima di eseguire il collegamento delle tubazioni tra le unità interna ed esterna.
- 2) Collegare il tubo flessibile in PVC (L) con D.I. di 15 mm come indicato in figura.
- 3) Accertarsi che la tubazione di scarico sia leggermente inclinata per facilitare il deflusso dello scarico.

Nota:

Installare orizzontalmente l'unità.

Nei paesi freddi, non utilizzare l'alloggiamento dello scarico (1). Lo scarico potrebbe gelare e provocare l'arresto della ventola.

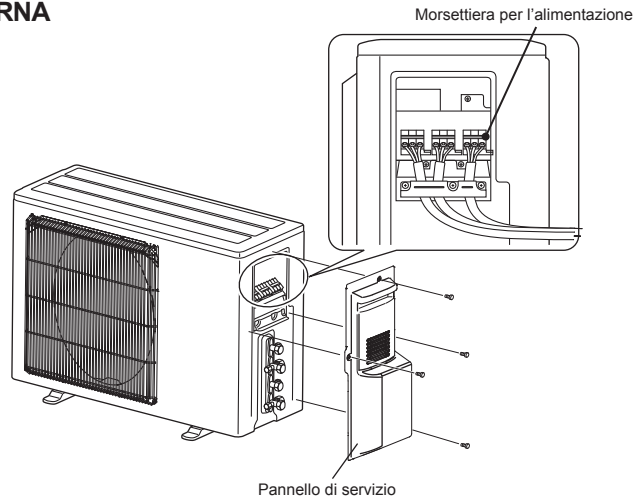
Durante il riscaldamento, l'unità esterna produce condensa. Scegliere la posizione di installazione in modo da evitare che l'unità esterna e/o il pavimento possano bagnarsi con l'acqua di scarico o essere danneggiati dall'acqua di scarico congelata.



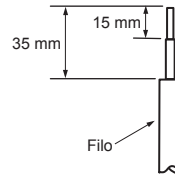
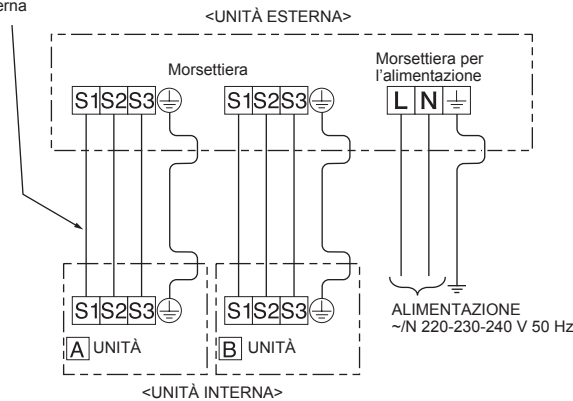
2. INSTALLAZIONE UNITÀ ESTERNA

2-1. COLLEGAMENTO DEI CAVI PER L'UNITÀ ESTERNA

- 1) Rimuovere il pannello di servizio.
- 2) Allentare le vite del terminale e collegare correttamente il cavo di collegamento unità interna ed esterna (B) dall'unità interna alla morsettiere. Fare attenzione ad eseguire correttamente i collegamenti. Fissare saldamente il cavo alla morsettiere in modo che non siano visibili le parti al suo interno e che non sia esercitata una forza esterna sulla sezione di collegamento della morsettiere.
- 3) Stringere saldamente le viti del terminale onde evitare allentamenti. Dopo aver stretto le viti, tirare leggermente i cavi per verificarne il fissaggio.
- 4) Eseguire le operazioni 2) e 3) per ciascuna unità interna.
- 5) Collegare il cavo di alimentazione (A).
- 6) Fissare il cavo di collegamento unità interna ed esterna (B) ed il cavo di alimentazione (A) con i fissacavi.
- 7) Chudere bene il pannello di servizio. Assicurarsi di aver portato a termine le operazioni del punto 3-2. COLLEGAMENTO DEI TUBI.
 - Dopo aver eseguito i collegamenti tra il cavo di alimentazione (A) ed il cavo di collegamento unità esterna ed interna (B), ricordare di fissare i cavi con gli appositi fissacavi.



Cavo collegamento unità interna ed esterna



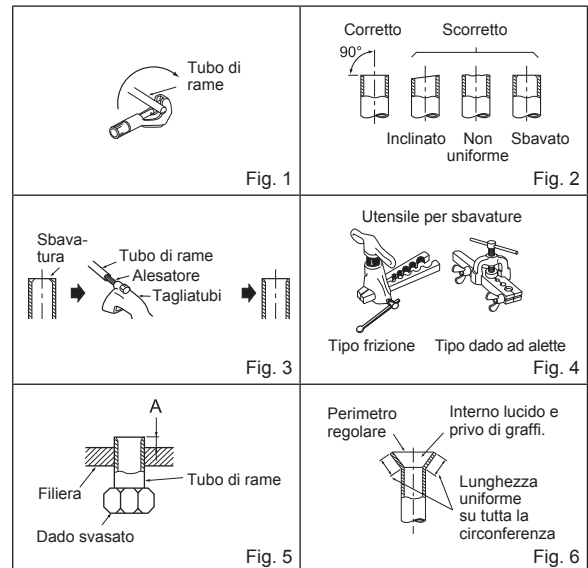
- Nel fissare il cavo e/o il filo alla morsettiere, fare attenzione a fissare ciascuna vite al terminale corrispondente.
- Il cavo di terra deve essere un po' più lungo degli altri. (Più di 35 mm)
- Lasciare una lunghezza extra ai cavi di collegamento per permettere la manutenzione futura.

3. SVASATURA E COLLEGAMENTO DEI TUBI

3-1. SVASATURA

- 1) Tagliare il tubo di rame in modo corretto con un tagliatubi. (Fig. 1, 2)
- 2) Rimuovere completamente tutte le sbavature dalla sezione di taglio del tubo. (Fig. 3)
 - Quando si eliminano le sbavature, orientare il tubo di rame verso il basso per evitare che il materiale asportato ricada all'interno del tubo.
- 3) Rimuovere i dadi svasati applicati alle unità interna ed esterna, quindi inserirli sul tubo dopo aver rimosso completamente le sbavature. (I dadi non possono essere inseriti una volta che l'estremità del tubo è stata svasata.)
- 4) Svasatura (Fig. 4, 5). Tenere saldamente il tubo in rame delle dimensioni indicate nella tabella. Selezionare le dimensioni in mm di A dalla tabella in base allo strumento selezionato.
- 5) Controllo
 - Confrontare la svasatura con la Fig. 6.
 - Se la svasatura dovesse risultare difettosa, tagliare la parte svasata ed eseguire una nuova svasatura.

Diametro tubo (mm)	Dado (mm)	A (mm)			Coppia di serraggio	
		Strumento tipo frizione per R410A	Strumento tipo frizione per R22	Strumento tipo dado ad alette per R22	N·m	kgf·cm
ø6,35 (1/4")	17	0 - 0,5	1,0 - 1,5	1,5 - 2,0	13,7 - 17,7	140 - 180
ø9,52 (3/8")	22			34,3 - 41,2	350 - 420	
ø12,7 (1/2")	26			49,0 - 56,4	500 - 575	
ø15,88 (5/8")	29			2,0 - 2,5	73,5 - 78,4	750 - 800



3-2. COLLEGAMENTO DEI TUBI

- 1) Applicare un velo di olio refrigerante (G) sulle estremità svasate delle tubazioni e dei relativi raccordi dell'unità esterna.
- 2) Allineare il centro del tubo con quello dei raccordi della tubazione dell'unità esterna, quindi stringere a mano il dado svasato di 3 o 4 giri.
- 3) Stringere il dado svasato con una chiave dinamometrica come indicato nella tabella.
 - L'eventuale eccessivo serraggio può danneggiare il dado svasato, con conseguenti perdite di refrigerante.
 - Avvolgere l'isolante attorno alla tubazione. Il contatto diretto con le tubazioni non isolate può essere causa di ustioni o congelamento.

AVVERTENZA
 Installando l'unità, collegare saldamente i tubi del refrigerante prima di azionare il compressore.

3-3. ISOLAMENTO E NASTRATURA

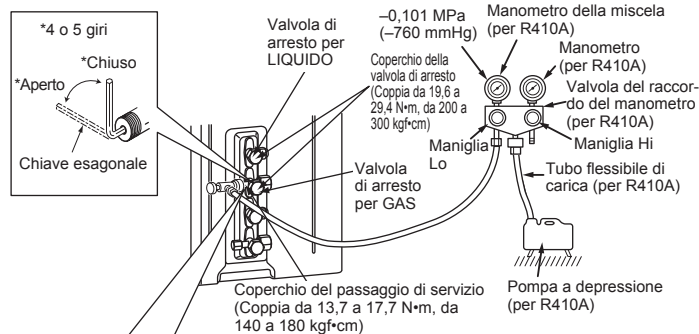
- 1) Coprire i giunti delle tubazioni con isolante.
- 2) All'esterno, isolare tutte le tubazioni, valvole incluse.
- 3) Utilizzando nastro per tubi (E), nastrare iniziando dall'ingresso dell'unità esterna.
 - Fermare l'estremità del nastro per tubi (E) con nastro adesivo.
 - Se le tubazioni devono venire fatte passare sopra il soffitto o per un luogo umido e caldo, avvolgere su di esse altro isolante termico del tipo disponibile in commercio così da evitare la formazione di condensa.

ATTENZIONE
 In presenza di condotti inutilizzati, serrare saldamente i relativi dadi.

4. PROCEDURE DI SPURGO, VERIFICA DI PERDITE E FUNZIONAMENTO DI PROVA

4-1. PROCEDURE DI SPURGO E VERIFICA DI PERDITE

- 1) Rimuovere il coperchio del passaggio di servizio della valvola di arresto sul lato della tubazione del gas dell'unità esterna. (Le valvole di arresto quando vengono spedite dalla fabbrica sono completamente chiuse e protette dai coperchi.)
- 2) Collegare la valvola del raccordo del manometro e la pompa a depressione all'apertura di servizio della valvola di arresto sul lato del tubo del gas dell'unità esterna.
- 3) Far funzionare la pompa a depressione. (Depressurizzare per più di 15 minuti.)
- 4) Controllare la depressione con la valvola del raccordo del manometro, chiudere quindi la valvola del raccordo del manometro e arrestare la pompa a depressione.
- 5) Attendere uno o due minuti. Accertarsi che l'indicatore della valvola del raccordo del manometro rimanga nella stessa posizione. Controllare che il manometro indichi $-0,101$ MPa [Manometro] (-760 mmHg).
- 6) Rimuovere rapidamente la valvola del raccordo del manometro dal passaggio di servizio della valvola di arresto.
- 7) Aprire completamente tutte le valvole di arresto sui tubi del gas e del liquido. Il funzionamento con le valvole non completamente aperte riduce le prestazioni e può causare problemi.
- 8) Fare riferimento al paragrafo 1-2. e caricare la quantità di refrigerante prescritto se necessario. Avere cura di caricare lentamente il refrigerante liquido. In caso contrario, la composizione del refrigerante nel sistema può risultare modificata e influire sulle prestazioni del condizionatore d'aria.
- 9) Stringere il coperchio del passaggio di servizio per ottenere lo stato iniziale.
- 10) Verifica perdite



Precauzioni per l'utilizzo della valvola di controllo

Al momento del fissaggio della valvola di controllo al passaggio di servizio, lo spillo della valvola può deformarsi o allentarsi nel caso venga esercitata una pressione eccessiva. Ciò può causare perdite di gas.

Al momento del fissaggio della valvola di controllo al passaggio di servizio, assicurarsi che lo spillo della valvola sia in posizione chiusa, quindi stringere la parte A. Non stringere la parte A né ruotare il corpo quando lo spillo della valvola è in posizione aperta.

4-2. CARICA DEL GAS

Caricare il gas nelle unità.

- 1) Collegare la bombola del gas allo sportello di servizio della valvola di arresto.
- 2) Eseguire lo spurgo dell'aria del tubo (o flessibile) proveniente dalla bombola di gas refrigerante.
- 3) Rifornire con la quantità specificata di gas refrigerante mentre il condizionatore è in funzione per il raffreddamento.

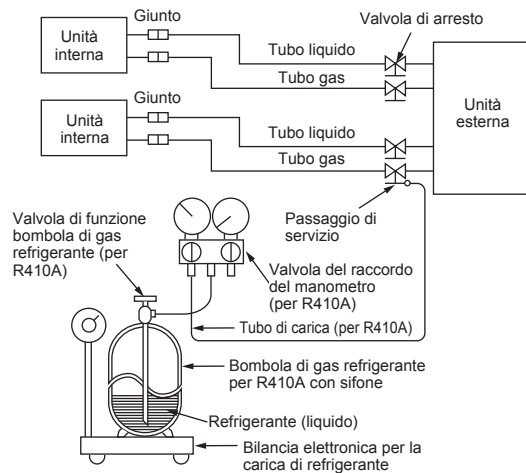
Nota:

In caso d'aggiunta di refrigerante, usare la quantità specificata per il ciclo refrigerante.

ATTENZIONE:

Per quanto riguarda la carica aggiuntiva, assicurarsi di utilizzare refrigerante allo stato liquido. Se il refrigerante viene caricato allo stato gassoso, si può verificare una modifica della composizione del refrigerante in circolo che può alterare il normale funzionamento del condizionatore. Caricare inoltre lentamente il refrigerante liquido per evitare di bloccare il compressore.

Per mantenere una pressione elevata nelle bombole, scaldare le bombole in acqua calda (40°C) durante la stagione fredda. Non usare mai fiamme libere o vapore.

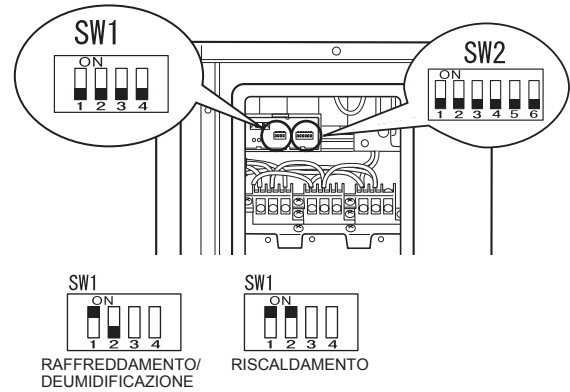


4-3. BLOCCO DELLA MODALITÀ DI FUNZIONAMENTO DEL CONDIZIONATORE D'ARIA (RAFFREDDAMENTO, DEUMIDIFICAZIONE, RISCALDAMENTO)

- Descrizione della funzione:
Con questa funzione, quando la modalità di funzionamento è bloccata su RAFFREDDAMENTO/DEUMIDIFICAZIONE o su RISCALDAMENTO, il condizionatore funziona esclusivamente in tale modalità.
- * Per attivare questa funzione è necessario modificare l'impostazione. Fornire ai clienti una spiegazione di tale funzione e chiedere loro se desiderano utilizzarla.

[Come bloccare la modalità di funzionamento]

- 1) Prima di eseguire l'impostazione, accertarsi di disattivare l'alimentazione del condizionatore d'aria.
- 2) Per abilitare questa funzione, posizionare su ON l'interruttore "1" di SW1 situato sulla scheda del display dell'unità esterna.
- 3) Per bloccare il funzionamento nella modalità di RAFFREDDAMENTO/DEUMIDIFICAZIONE, posizionare su OFF l'interruttore "2" di SW1 situato sulla scheda del display dell'unità esterna. Per bloccare il funzionamento nella modalità di RISCALDAMENTO, posizionare lo stesso interruttore su ON.
- 4) Attivare l'alimentazione del condizionatore.



4-4. RIDUZIONE DEL RUMORE DI FUNZIONAMENTO DELL'UNITÀ ESTERNA

- Descrizione della funzione:
Con questa funzione, è possibile attenuare la rumorosità dell'unità esterna riducendone il carico, ad esempio di notte in modalità RAFFREDDAMENTO. Occorre tuttavia osservare che attivando questa funzione, le prestazioni di raffreddamento e riscaldamento potrebbero risentirne.
- * Per attivare questa funzione è necessario modificare l'impostazione. Fornire ai clienti una spiegazione di tale funzione e chiedere loro se desiderano utilizzarla.

[Come ridurre il rumore di funzionamento]

- 1) Prima di eseguire l'impostazione, accertarsi di disattivare l'alimentazione del condizionatore d'aria.
- 2) Per abilitare questa funzione, posizionare su ON l'interruttore "3" di SW1 situato sulla scheda del display dell'unità esterna.
- 3) Attivare l'alimentazione del condizionatore.



4-5. PROVA DI FUNZIONAMENTO

- Le prove di funzionamento delle unità interne devono essere eseguite individualmente. Fare riferimento al manuale di installazione fornito in dotazione con l'unità interna e verificare il corretto funzionamento di tutte le unità.
- Se la prova di funzionamento viene eseguita contemporaneamente per tutte le unità, non sarà possibile rilevare eventuali collegamenti errati delle tubazioni del refrigerante e dei cavi di collegamento tra unità interne ed esterne. Accertarsi quindi di effettuare la prova di funzionamento di un'unità alla volta.

Assicurarsi che vengano le condizioni seguenti.

- L'unità è alimentata.
- Le valvole di arresto sono aperte.

Meccanismo di protezione contro il riavvio automatico

Una volta che il compressore si è arrestato, il meccanismo di protezione contro il riavvio automatico viene attivato, in modo tale che non funzioni durante 3 minuti per proteggere il condizionatore dell'aria.

4-6. SPIEGAZIONE PER L'UTENTE

- Servendosi del LIBRETTO D'ISTRUZIONI, spiegare all'utente come utilizzare il condizionatore d'aria (come utilizzare il telecomando, come rimuovere i filtri dell'aria, come estrarre o inserire il telecomando nel supporto del telecomando, come eseguire la pulizia, le precauzioni per il funzionamento, ecc.).
- Consigliare all'utente di leggere attentamente il LIBRETTO D'ISTRUZIONI.

5. POMPAGGIO

Quando si desidera spostare o eliminare il condizionatore d'aria, eseguire il pompaggio del sistema attenendosi alla procedura riportata di seguito, affinché non venga emesso refrigerante nell'atmosfera.

- 1) Spegnerne l'interruttore.
- 2) Collegare la valvola del collettore degli strumenti all'apertura di servizio della valvola di arresto sul lato del tubo del gas dell'unità esterna.
- 3) Chiudere completamente la valvola di arresto sul lato del tubo del liquido dell'unità esterna.
- 4) Accendere l'interruttore.
- 5) Attivare la modalità di RAFFREDDAMENTO di emergenza su tutte le unità interne.
- 6) Quando il manometro indica da 0,05 a 0 MPa [Manometro] (da circa 0,5 a 0 kgf/cm²), chiudere completamente la valvola di arresto sul lato del tubo del gas dell'unità esterna ed arrestare il funzionamento. (Per la procedura di arresto, consultare il manuale d'installazione dell'unità interna.)
 - * Se al sistema di condizionamento aria è stata aggiunta una quantità eccessiva di refrigerante, è possibile che la pressione non scenda a 0,05 MPa [Manometro] (circa 0,5 kgf/cm²), o che si attivi la funzione di protezione a causa dell'aumento di pressione nel circuito di refrigerante ad alta pressione. In questo caso, utilizzare un dispositivo di raccolta refrigerante per spurgare tutto il refrigerante presente all'interno del sistema, quindi ricaricare nel sistema la giusta quantità di refrigerante dopo aver spostato le unità interna ed esterna.
- 7) Spegnerne l'interruttore. Rimuovere il manometro e la tubazione del refrigerante.

⚠ AVVERTENZA

Quando si esegue il pompaggio del refrigerante, arrestare il compressore prima di scollegare i tubi del refrigerante.
Il compressore può esplodere e provocare lesioni fisiche qualora corpi estranei, come l'aria, penetrino nei tubi.

ΠΕΡΙΕΧΟΜΕΝΑ

1. ΠΡΙΝ ΤΗΝ ΕΓΚΑΤΑΣΤΑΣΗ.....	1
2. ΕΓΚΑΤΑΣΤΑΣΗ ΤΗΣ ΕΞΩΤΕΡΙΚΗΣ ΜΟΝΑΔΑΣ.....	4
3. ΕΡΓΑΣΙΑ ΕΚΧΕΙΛΩΣΗΣ ΚΑΙ ΣΥΝΔΕΣΗΣ ΣΩΛΗΝΑ.....	4
4. ΔΙΑΔΙΚΑΣΙΕΣ ΚΑΘΑΡΙΣΜΟΥ, ΔΟΚΙΜΗ ΔΙΑΡΡΟΗΣ ΚΑΙ ΕΛΕΓΧΟΣ ΛΕΙΤΟΥΡΓΙΑΣ.....	5
5. ΕΚΚΕΝΩΣΗ.....	6

Απαιτούμενα εργαλεία για εγκατάσταση

Κατσαβίδι Phillips (σταυροκατσάβιδο)	Εργαλείο εκχείλωσης για R410A
Αλφάδι με φουσαλίδα νερού	Πολλαπλός μετρητής για R410A
Βαθμονομημένη κλίμακα	Αντλία κενού για R410A
Μαχαίρι ή ψαλίδι γενικής χρήσης	Ελαστικός σωλήνας πλήρωσης για R410A
Κλειδί ροτής στρέψης	Κόφτης σωλήνα με διάταξη διαμόρφωσης στομίου
Κλειδί σύσφιξης (ή αγγλικό κλειδί)	
Εξαγωνικό κλειδί 4 mm	

1. ΠΡΙΝ ΤΗΝ ΕΓΚΑΤΑΣΤΑΣΗ

1-1. ΤΑ ΠΑΡΑΚΑΤΩ ΠΡΕΠΕΙ ΝΑ ΤΗΡΟΥΝΤΑΙ ΠΑΝΤΑ ΓΙΑ ΛΟΓΟΥΣ ΑΣΦΑΛΕΙΑΣ

- Πριν την εγκατάσταση του κλιματιστικού, διαβάστε την ενότητα "ΤΑ ΠΑΡΑΚΑΤΩ ΠΡΕΠΕΙ ΝΑ ΤΗΡΟΥΝΤΑΙ ΠΑΝΤΑ ΓΙΑ ΛΟΓΟΥΣ ΑΣΦΑΛΕΙΑΣ".
- Καθώς αυτές οι προειδοποιήσεις και προφυλάξεις περιλαμβάνουν σημαντικές πληροφορίες για την ασφάλεια, βεβαιωθείτε ότι τις τηρείτε.
- Αφού διαβάσετε αυτό το εγχειρίδιο, φυλάξτε το μαζί με τις ΟΔΗΓΙΕΣ ΛΕΙΤΟΥΡΓΙΑΣ για να μπορείτε να τα συμβουλευέστε.

⚠️ ΠΡΟΕΙΔΟΠΟΙΗΣΗ (Μπορεί να προκληθεί θάνατος, σοβαρός τραυματισμός κτλ.)

- **Μην εγκαθιστάτε μόνοι σας τη μονάδα (για τον χρήστη).**
Ατελής εγκατάσταση μπορεί να προκαλέσει πυρκαγιά, ηλεκτροπληξία, τραυματισμό λόγω πτώσης της μονάδας ή διαρροή νερού. Συμβουλευτείτε τον αντιπρόσωπο από τον οποίο αγοράσατε τη συσκευή ή έναν εξειδικευμένο τεχνικό εγκατάστασης.
- **Εκτελέστε τις εργασίες εγκατάστασης με ασφάλεια, ανατρέχοντας στο εγχειρίδιο εγκατάστασης.**
Ατελής εγκατάσταση μπορεί να προκαλέσει πυρκαγιά, ηλεκτροπληξία, τραυματισμό λόγω πτώσης της μονάδας ή διαρροή νερού.
- **Κατά την εγκατάσταση της μονάδας, χρησιμοποιήστε κατάλληλο εξοπλισμό προστασίας καθώς και εργαλεία για ασφάλεια.**
Αν δεν γίνει κάτι τέτοιο, μπορεί να προκληθεί τραυματισμός.
- **Τοποθετήστε τη μονάδα με ασφάλεια σε μέρος που μπορεί να αντέξει το βάρος της.**
Αν η τοποθεσία της εγκατάστασης δεν μπορεί να αντέξει το βάρος της μονάδας, η μονάδα μπορεί να πέσει προκαλώντας τραυματισμό.
- **Οι ηλεκτρικές εργασίες πρέπει να εκτελούνται από έναν εξουσιοδοτημένο, έμπειρο ηλεκτρολόγο, σύμφωνα με το εγχειρίδιο εγκατάστασης. Βεβαιωθείτε ότι χρησιμοποιείτε αποκεντρωτικό κύκλωμα. Μην συνδέετε άλλες ηλεκτρικές συσκευές με το κύκλωμα.**
Εάν η ισχύς του κυκλώματος είναι ανεπαρκής ή έχουν γίνει ατελείς ηλεκτρολογικές εργασίες, μπορεί να προκληθεί πυρκαγιά ή ηλεκτροπληξία.
- **Μην καταστρέψετε τα καλώδια ασκώντας υπερβολική πίεση στα εξαρτήματα ή τις βίδες.**
Τα κατεστραμμένα καλώδια μπορεί να προκαλέσουν πυρκαγιά ή ηλεκτροπληξία.
- **Βεβαιωθείτε ότι έχετε κλείσει το γενικό διακόπτη τροφοδοσίας ρεύματος όταν ρυθμίζετε τον εσωτερικό ηλεκτρολογικό πίνακα ή εκτελείτε εργασίες καλωδίωσης.**
Αν δεν γίνει κάτι τέτοιο, μπορεί να προκληθεί ηλεκτροπληξία.
- **Χρησιμοποιήστε τα καθορισμένα καλώδια για να συνδέσετε την εσωτερική και την εξωτερική μονάδα με ασφάλεια και συνδέστε τα σύμφωνα σφίχτα στους τμηματικούς ακροδέκτες, έτσι ώστε η καταπόνηση από τα καλώδια να μην εφαρμόζεται στις συνδέσεις. Μην επεκτείνετε τα καλώδια και μην χρησιμοποιείτε ενδιάμεση σύνδεση.**
Ατελής σύνδεση και ασφάλεια μπορεί να προκαλέσει πυρκαγιά.
- **Μην εγκαθιστάτε τη μονάδα σε μέρος όπου ενδέχεται να υπάρχει διαρροή εύφλεκτων αερίων.**
Εάν υπάρχει διαρροή αερίου και συσσωρεύσει του γύρω από τη μονάδα, μπορεί να προκληθεί έκρηξη.
- **Μην χρησιμοποιείτε ενδιάμεση σύνδεση του καλωδίου τροφοδοσίας ή του καλωδίου προέκτασης και μην συνδέετε πολλές συσκευές σε μία πρίζα εναλλασσόμενου ρεύματος (AC).**
Μπορεί να προκληθεί πυρκαγιά ή ηλεκτροπληξία λόγω κακής επαφής, κακήςμόνωσης, υπέρβασης του επιτρεπόμενου ρεύματος κλπ.
- **Βεβαιωθείτε ότι χρησιμοποιείτε τα ανταλλακτικά που παρέχονται ή που προσδιορίζονται για τις εργασίες εγκατάστασης.**
Η χρήση ελαττωματικών εξαρτημάτων μπορεί να προκαλέσει τραυματισμό ή διαρροή νερού λόγω πυρκαγιάς, ηλεκτροπληξίας, πτώσης της μονάδας κλπ.
- **Όταν συνδέετε το καλώδιο παροχής ρεύματος στην πρίζα, βεβαιωθείτε ότι δεν υπάρχει σκόνη, φράξιμο ή χαλαρά εξαρτήματα τόσο στην πρίζα όσο και στο καλώδιο παροχής ρεύματος. Βεβαιωθείτε ότι το καλώδιο παροχής ρεύματος έχει εφαρμόσει καλά στην πρίζα.**
Αν υπάρχουν σκόνη, φράξιμο ή χαλαρά εξαρτήματα στο καλώδιο παροχής ρεύματος ή στην πρίζα, μπορεί να προκληθεί ηλεκτροπληξία ή πυρκαγιά. Αν υπάρχουν χαλαρά εξαρτήματα στο καλώδιο παροχής ρεύματος, αντικαταστήστε τα.
- **Στερεώστε με ασφάλεια το καπάκι του πίνακα της εσωτερικής μονάδας και το φάνωμα συντήρησης της εξωτερικής μονάδας.**
Εάν το καπάκι του πίνακα της εσωτερικής μονάδας ή/και το φάνωμα συντήρησης της εξωτερικής μονάδας δεν στερεωθούν με ασφάλεια, μπορεί να προκληθεί φωτιά ή ηλεκτροπληξία λόγω σκόνης, νερού κλπ.
- **Κατά την εγκατάσταση, μετακίνηση ή συντήρηση της μονάδας, βεβαιωθείτε ότι στο κύκλωμα ψύξης δεν θα εισχωρήσει άλλη ουσία εκτός από το ενδεδειγμένο ψυκτικό (R410A).**
Η παρουσία ξένης ουσίας, όπως ο αέρας, μπορεί να προκαλέσει μη φυσιολογική αύξηση της πίεσης ή να οδηγήσει σε έκρηξη ή τραυματισμό. Η χρήση κάποιου άλλου ψυκτικού υγρού από αυτό που ορίζεται για το σύστημα θα προκαλέσει μηχανική βλάβη, δυσλειτουργία του συστήματος ή βλάβη της μονάδας. Στη χειρότερη περίπτωση, αυτό ενδέχεται να έχει σοβαρές επιπτώσεις στην ασφάλεια του προϊόντος.
- **Μην εκλύετε το ψυκτικό στον ατμόσφαιρα. Αν διαρρεύσει ψυκτικό κατά την εγκατάσταση, αερίστε το δωμάτιο.**
Αν το ψυκτικό έρθει σε επαφή με φωτιά, ενδέχεται να παραχθούν επιβλαβή αέρια. Η διαρροή ψυκτικού υγρού μπορεί να προκαλέσει ασφυξία. Εξασφαλίστε επαρκή εξαερισμό σύμφωνα με το πρότυπο EN378-1.
- **Βεβαιωθείτε ότι δεν υπάρχει διαρροή ψυκτικού αερίου αφού ολοκληρωθεί η εγκατάσταση.**
Εάν υπάρχει διαρροή ψυκτικού αερίου σε εσωτερικό χώρο και έρθει σε επαφή με τη φλόγα αερόθερμου, θερμάστρας, σόμπας, κλπ, ενδέχεται να παραχθούν επιβλαβείς ουσίες.
- **Χρησιμοποιήστε κατάλληλα εργαλεία και υλικά σωληνώσεων για την εγκατάσταση.**
Η πίεση του R410A είναι 1,6 φορές μεγαλύτερη από την πίεση του R22. Η μη χρήση των κατάλληλων εργαλείων ή υλικών και η ατελής εγκατάσταση ενδέχεται να προκαλέσει διάρρηξη των σωληνών ή τραυματισμό.
- **Κατά την εκκένωση του ψυκτικού, σταματήστε το συμπιεστή πριν αποσυνδέσετε τις ψυκτικές σωληνώσεις.**
Αν οι ψυκτικές σωληνώσεις αποσυνδεθούν ενώ λειτουργεί ο συμπιεστής και η ανασταλτική βαλβίδα είναι ανοιχτή, ενδέχεται να εισρεύσει αέρας και η πίεση στον κύκλο ψύξης να γίνει υπερβολικά υψηλή. Κάτι τέτοιο ενδέχεται να προκαλέσει διάρρηξη των σωληνών ή τραυματισμό.
- **Κατά την εγκατάσταση της μονάδας, συνδέστε με ασφάλεια τους ψυκτικούς σωληνούς πριν βάλετε σε λειτουργία το συμπιεστή.**
Αν ο συμπιεστής τεθεί σε λειτουργία πριν συνδεθούν οι ψυκτικοί σωληνούς και η ανασταλτική βαλβίδα είναι ανοιχτή, ενδέχεται να εισρεύσει αέρας και η πίεση στον κύκλο ψύξης να γίνει υπερβολικά υψηλή. Κάτι τέτοιο ενδέχεται να προκαλέσει διάρρηξη των σωληνών ή τραυματισμό.
- **Σφίξτε το ταξιμάδι εκχείλωσης με ροπόκλειδο, όπως ορίζεται στο παρόν εγχειρίδιο.**
Εάν το σφίξτε πολύ, το ταξιμάδι εκχείλωσης μπορεί να σπάσει μετά από μεγάλο χρονικό διάστημα και να προκαλέσει διαρροή ψυκτικού μέσου.
- **Η εγκατάσταση της μονάδας θα γίνει σύμφωνα με τους εθνικούς κανονισμούς περί καλωδίωσης.**
- **Γειώστε σωστά τη μονάδα.**
Μην συνδέετε τη γείωση σε σωλήνα αερίου, νερού, σε αλεξίκερανο ή στη γείωση του τηλεφώνου. Η ελαττωματική γείωση μπορεί να προκαλέσει ηλεκτροπληξία.
- **Φροντίστε να εγκαταστήσετε έναν ασφαλειοδιακόπτη διαφυγής γείωσης.**
Εάν δεν εγκατασταθεί ασφαλειοδιακόπτης διαφυγής γείωσης, μπορεί να προκληθεί ηλεκτροπληξία ή πυρκαγιά.

⚠️ ΠΡΟΣΟΧΗ (Λανθασμένος χειρισμός ίσως προκαλέσει σοβαρό τραυματισμό σε συγκεκριμένα περιβάλλοντα.)

- **Εκτελέστε τις εργασίες αποστράγγισης/σωληνώσεων με ασφάλεια σύμφωνα με το εγχειρίδιο εγκατάστασης.**
Αν υπάρχει κάποια κακοτεχνία στις εργασίες αποστράγγισης/σωληνώσεων, ενδέχεται να στάξει νερό από τη μονάδα και τα οικιακά είδη να βραχούν και να καταστραφούν.
- **Μην αγγίζετε το στόμιο εισόδου αέρα ή τα πτερύγια αλουμινίου της εξωτερικής μονάδας.**
Κάτι τέτοιο μπορεί να προκαλέσει τραυματισμό.
- **Μην εγκαθιστάτε την εξωτερική μονάδα σε μέρος όπου μπορεί να ζουν μικρά ζώα.**
Αν μικρά ζώα μπουν και αγγίσουν τα ηλεκτρικά εξαρτήματα μέσα στη μονάδα, μπορεί να προκληθεί δυσλειτουργία, εκπομπή καπνού ή πυρκαγιά. Επίσης, συμβουλευτείτε τους χρήστες να διατηρούν καθαρή την περιοχή γύρω από τη μονάδα.

1-2. ΠΡΟΔΙΑΓΡΑΦΕΣ

Μοντέλο	Παροχή ρεύματος *1			Προδιαγραφές καλωδίων *2		Διαφορά μήκους και ύψους σωληνών *3, *4, *5, *6, *7, *8				Επίπεδο εξωτερικού θορύβου	
	Ονομαστική τάση	Συχνότητα	Ισχύς ασφαλειοδιακόπτη	Παροχή ρεύματος	Καλώδιο σύνδεσης εσωτερικής/ εξωτερικής μονάδας	Μέγ. μήκος σωλήνα για εσωτερική μονάδα/ για πολυ-σύστημα	Μέγ. διαφορά ύψους *9	Μέγ. αρ. λυγισμάτων ανά εσωτερική μονάδα/ για πολυ-σύστημα	Ρύθμιση ψυκτικού A *10	Ψύξη	Θέρμανση
MXZ-2D33VA	220-230-240 V	50 Hz	10 A	3-κλωνο 1,0 mm ²	4-κλωνο 1,0/1,5 mm ²	15 m / 20 m	10 m	15 / 20	20 g/m	49 dB(A)	50 dB(A)
MXZ-2D42VA2			15 A	3-κλωνο 2,0 mm ²		20 m / 30 m	15 m	20 / 30		46 dB(A)	51 dB(A)
MXZ-2D53VA(H)2											50 dB(A)

Σημείωση:

Ανατρέξτε στον πίνακα για τους πιθανούς συνδυασμούς (αριθμός αναφοράς σέρβις).

Κατά τη σύνδεση εσωτερικής μονάδας της σειράς MFZ-KJ σε αυτήν την εξωτερική μονάδα, προσθέστε επιπλέον ψυκτικό σύμφωνα με τις οδηγίες του παρακάτω πίνακα.

MXZ-2D33VA

Αρ. εσωτερικών μονάδων MFZ-KJ	Μήκος σωλήνα (L)		Μέγιστη ποσότητα ψυκτικού
	~ 20 m		
1 μονάδα	100 g επιπλέον (Σύνολο 1250 g)		1250 g
2 μονάδες	Δεν διατίθεται (Μπορεί να συνδεθεί μόνο μία εσωτερική μονάδα της σειράς MFZ-KJ).		

Αρ. εσωτερικών μονάδων MFZ-KJ	Μήκος σωλήνα (L)		Μέγιστη ποσότητα ψυκτικού
	~ 20 m	~ 30 m	
1 μονάδα	100 g επιπλέον (Σύνολο 1400 g)	100 g + {(L -20) m x 20 g/m}	1600 g
2 μονάδες	200 g επιπλέον (Σύνολο 1500 g)	200 g + {(L -20) m x 20 g/m}	1700 g

- *1 Συνδέστε στο διακόπτη παροχής ρεύματος ο οποίος, όταν ανοίγει για να διακόψει τη φάση της πηγής τροφοδοσίας, έχει διάκενο 3 mm ή περισσότερο. (Όταν ο διακόπτης παροχής ρεύματος είναι κλειστός πρέπει να διακόπτονται όλες οι φάσεις.)
- *2 Χρησιμοποιείτε καλώδια που συμμορφώνονται προς το σχεδιασμό 60245 IEC 57. Χρησιμοποιήστε το καλώδιο σύνδεσης εσωτερικής/εξωτερικής μονάδας σύμφωνα με τις προδιαγραφές καλωδίου που αναφέρονται στο εγχειρίδιο εγκατάστασης της εσωτερικής μονάδας.
- *3 Μην χρησιμοποιείτε ποτέ σωλήνες με πάχος μικρότερο από αυτό που καθορίζεται. Η ανοχή στην πίεση δεν θα είναι αρκετή.
- *4 Χρησιμοποιήστε έναν χαλκοσωλήνα ή έναν σωλήνα από κράμα χαλκού χωρίς ραφές.
- *5 Προσέξτε να μην σπάσετε ή λυγίσετε το σωλήνα κατά την καμπύλωση των σωλήνων.

- *6 Η ακτίνα καμπύλωσης των σωλήνων ψυκτικού πρέπει να είναι 100 mm ή περισσότερο.
- *7 Μονωτικό υλικό : Θερμοανθεκτικός πλαστικός αφρός με ειδική βαρύτητα 0,045
- *8 Βεβαιωθείτε ότι χρησιμοποιείτε το κατάλληλο πάχος μόνωσης. Το υπερβολικό πάχος μπορεί να προκαλέσει εσφαλμένη εγκατάσταση της εσωτερικής μονάδας και η ανεπαρκής μόνωση μπορεί να προκαλέσει δημιουργία σταγονιδίων.
- *9 Αν η εξωτερική μονάδα είναι εγκατεστημένη υψηλότερα από την εσωτερική, η μέγιστη διαφορά ύψους μειώνεται στα 10 m.
- *10 Αν το μήκος του σωλήνα υπερβαίνει τα 20 m, απαιτείται επιπρόσθετη πλήρωση ψυκτικού (R410A). (Δεν απαιτείται επιπρόσθετη πλήρωση για σωλήνα μήκους μικρότερου των 20 m.)
Πρόσθετο ψυκτικό = A × (μήκος σωλήνα (m) – 20)

1-3. ΕΠΙΛΟΓΗ ΠΡΟΑΙΡΕΤΙΚΩΝ ΕΝΩΣΕΩΝ ΔΙΑΦΟΡΕΤΙΚΩΝ ΔΙΑΜΕΤΡΩΝ

Εάν η διάμετρος του σωλήνα σύνδεσης δεν αντιστοιχεί στο μέγεθος θύρας της εξωτερικής μονάδας, χρησιμοποιήστε ενώσεις διαφορετικών διαμέτρων σύμφωνα με τον ακόλουθο πίνακα.

(Μονάδα: mm (ίντσες))

Μέγεθος θύρας εξωτερικής μονάδας		Προαιρετικές ενώσεις διαφορετικών διαμέτρων (μέγεθος θύρας εξωτερικής μονάδας → διάμετρος σωλήνα σύνδεσης)
MXZ-2D	Υγρό / Αέριο	9,52 (3/8) → 12,7 (1/2) : MAC-A454JP-E Ανατρέξτε στο εγχειρίδιο εγκατάστασης της εσωτερικής μονάδας για τη διάμετρο του σωλήνα σύνδεσης της εσωτερικής μονάδας.
A , B ΜΟΝΑΔΑ	6,35 (1/4) / 9,52 (3/8)	

1-4. ΕΠΙΛΟΓΗ ΤΗΣ ΘΕΣΗΣ ΕΓΚΑΤΑΣΤΑΣΗΣ

- Σε μέρος όπου δεν εκτίθεται σε δυνατό άνεμο.
- Σε μέρος όπου η ροή αέρα είναι ομαλή και χωρίς σκόνη.
- Σε μέρος όπου η έκθεση στη βροχή και απευθείας σε ηλιακό φως μπορεί να αποφευχθεί όσο το δυνατόν περισσότερο.
- Σε μέρος όπου δεν ενοχλούνται οι γείτονες από τον ήχο λειτουργίας ή το ζεστό αέρα.
- Σε μέρος όπου υπάρχει σκληρός τοίχος ή στήριγμα για να μην αυξάνεται ο θόρυβος λειτουργίας ή οι κραδασμοί.
- Σε μέρος όπου δεν υπάρχει κίνδυνος διαρροής εύφλεκτου αερίου.
- Κατά την εγκατάσταση της μονάδας, στερεώστε καλά τα πόδια της.
- Σε μέρος που είναι τουλάχιστον 3 m μακριά από κεραία τηλεόρασης ή ραδιοφώνου. Η λειτουργία του κλιματιστικού ενδέχεται να δημιουργεί παρεμβολές στη ραδιοφωνική ή τηλεοπτική λήψη σε περιοχές όπου το σήμα είναι ασθενές. Μπορεί να απαιτείται εγκατάσταση ενισχυτή για τη συσκευή που επηρεάζεται.
- Εγκαταστήστε τη μονάδα σε οριζόντια θέση.
- Τοποθετήστε τη μονάδα σε σημείο που δεν είναι εκτεθειμένο σε χιόνι ή χιονοθύελλα. Σε περιοχές με μεγάλη χιονόπτωση, τοποθετήστε μια μαρκίζα, μια βάση ή/και προστατευτικά διαφράγματα.

Σημείωση:

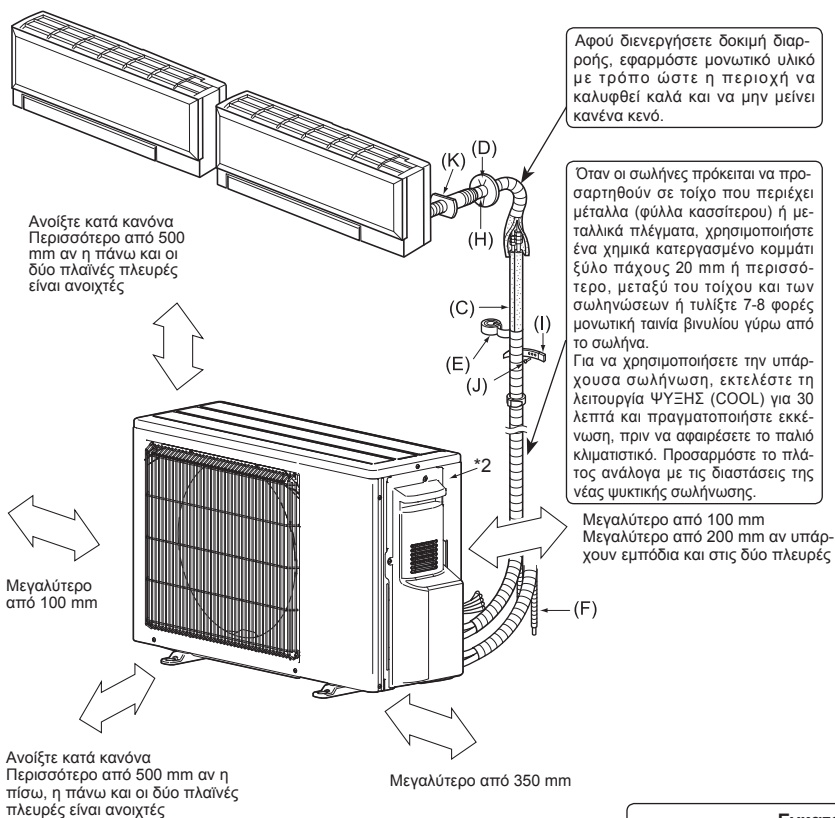
Συνιστάται η δημιουργία ενός βρόγχου στη σωλήνωση κοντά στην εξωτερική μονάδα, έτσι ώστε να μειώνονται οι κραδασμοί που μεταδίδονται από εκεί.

Σημείωση:

Όταν το κλιματιστικό λειτουργεί ενώ η εξωτερική θερμοκρασία είναι χαμηλή, βεβαιωθείτε ότι ακολουθείτε τις παρακάτω οδηγίες.

- Ποτέ μην τοποθετείτε την εξωτερική μονάδα σε μέρος όπου η πλευρά εισόδου/εξόδου αέρα είναι άμεσα εκτεθειμένη στον άνεμο.
- Για να αποτρέψετε την έκθεση στον άνεμο, τοποθετήστε την εξωτερική μονάδα με την πλευρά εισόδου αέρα στραμμένη προς τον τοίχο.
- Για να αποτρέψετε την έκθεση στον άνεμο, συνιστάται η τοποθέτηση προστατευτικού διαφράγματος στην πλευρά εξόδου αέρα της εξωτερικής μονάδας. Αποφύγετε την τοποθέτηση στα παρακάτω μέρη όπου είναι πιθανό να προκύψει βλάβη στο κλιματιστικό.
- Σε μέρος όπου μπορεί να υπάρξει διαρροή εύφλεκτων αερίων.
- Σε μέρος όπου υπάρχουν πολλά λιπαντικά μηχανικά έλαια.
- Όπου έχει πέσει λάδι ή όπου υπάρχουν αναθυμιάσεις από λάδι (όπως κουζίνες και εργοστάσια, στα οποία ενδέχεται να προκληθούν αλλοιώσεις και ζημιά στα πλαστικά μέρη).
- Σε μέρος όπου υπάρχει πολύ αλάτι, για παράδειγμα σε ακτές.
- Σε μέρος όπου παράγονται θειούχα αέρια, για παράδειγμα σε θερμές πηγές.
- Σε μέρος όπου υπάρχει εξοπλισμός υψηλής συχνότητας ή ασύρματος.
- Όπου υπάρχουν έντονες αναθυμιάσεις πτητικών οργανικών ενώσεων, όπως φθαλικές ενώσεις, φορμαλδεΐδη κ.α., που μπορούν να προκαλέσουν χημική πυρόλυση.

1-5. ΔΙΑΓΡΑΜΜΑ ΕΓΚΑΤΑΣΤΑΣΗΣ



ΕΞΑΡΤΗΜΑΤΑ

Ελέγξτε τα παρακάτω εξαρτήματα πριν την εγκατάσταση.

(1) Στόμιο αποστράγγισης	1
--------------------------	---

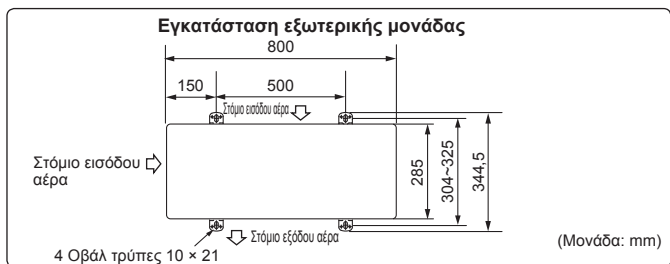
ΕΞΑΡΤΗΜΑΤΑ ΠΟΥ ΠΡΕΠΕΙ ΝΑ ΠΡΟΜΗΘΕΥΤΕΙΤΕ ΓΙΑ ΤΗΝ ΕΓΚΑΤΑΣΤΑΣΗ

(A) Καλώδιο τροφοδοσίας*1	1
(B) Καλώδιο σύνδεσης εσωτερικής/εξωτερικής μονάδας*1	1
(C) Σωλήνας προέκτασης	1
(D) Κάλυμμα τρύπας τοίχου	1
(E) Ταινία περιδέσης	1
(F) Σωλήνας αποστράγγισης προέκτασης (ή σωλήνας από μαλακό PVC, εσωτ. διαμ. 15 mm ή σκληρό PVC, VP16)	1
(G) Ψυκτικό λάδι	Μικρή ποσότητα
(H) Στόκος	1
(I) Ταινία στερέωσης σωλήνα	2 έως 3
(J) Βίδα στερέωσης για (I)	2 έως 7
(K) Συνδετικό περιβλήμα τρύπας τοίχου	1
(L) Σωλήνας από μαλακό PVC, εσωτερικής διαμέτρου 15 mm ή από σκληρό PVC, VP16 για στόμιο αποστράγγισης (1)	1

Σημείωση:

*1 Τοποθετήστε το καλώδιο σύνδεσης εσωτερικής/εξωτερικής μονάδας (B) και το καλώδιο τροφοδοσίας (A) τουλάχιστον 1 m μακριά από το καλώδιο της κεραίας τηλεόρασης.

Τα "Τμχ" για τα (B) έως (K) στον παραπάνω πίνακα είναι η ποσότητα που θα χρησιμοποιηθεί ανά εσωτερική μονάδα.



Η εγκατάσταση των μονάδων πρέπει να γίνει από εξουσιοδοτημένο εγκαταστάτη και σύμφωνα με τους ισχύοντες τοπικούς κανονισμούς.

1-6. ΣΩΛΗΝΩΣΕΙΣ ΑΠΟΣΤΡΑΓΓΙΣΗΣ ΓΙΑ ΤΗΝ ΕΞΩΤΕΡΙΚΗ ΜΟΝΑΔΑ

Εκτελέστε τις εργασίες εγκατάστασης των σωληνώσεων αποστράγγισης μόνο στην περίπτωση που η αποστράγγιση γίνεται από ένα σημείο.

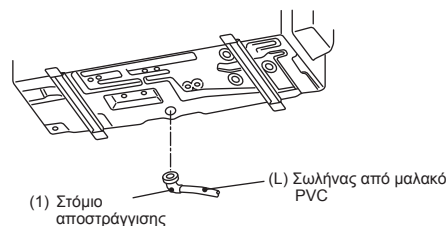
- 1) Τοποθετήστε τις σωληνώσεις αποστράγγισης πριν από τη σύνδεση των σωληνώσεων εσωτερικής και εξωτερικής μονάδας.
- 2) Συνδέστε το σωλήνα από μαλακό PVC (L), Ε.Δ. 15 mm, σύμφωνα με την εικόνα.
- 3) Βεβαιωθείτε ότι οι σωληνώσεις αποστράγγισης έχουν φορά προς τα κάτω για να διευκολύνεται η ροή των υγρών αποστράγγισης.

Σημείωση:

Εγκαταστήστε τη μονάδα σε οριζόντια θέση.

Μη χρησιμοποιείτε το στόμιο αποστράγγισης (1) στις ψυχρές περιοχές. Τα υγρά αποστράγγισης ενδέχεται να παγώσουν και να διακοπή η λειτουργία του ανεμιστήρα.

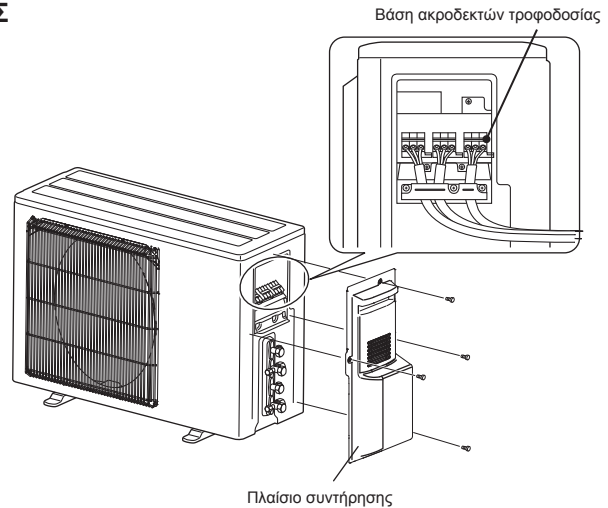
Η εσωτερική μονάδα παράγει συμπύκνωμα κατά τη διάρκεια της λειτουργίας θέρμανσης. Επιλέξτε το χώρο εγκατάστασης προκειμένου να διασφαλίσετε την προστασία της εξωτερικής μονάδας ή/και το πάτωμα από το νερό αποστράγγισης ή να εμποδίσετε την πρόκληση ζημιών από το παγωμένο νερό αποστράγγισης.



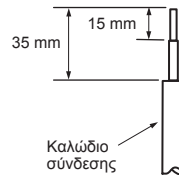
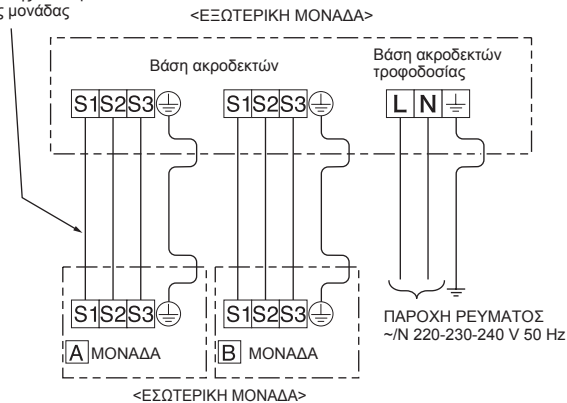
2. ΕΓΚΑΤΑΣΤΑΣΗ ΤΗΣ ΕΞΩΤΕΡΙΚΗΣ ΜΟΝΑΔΑΣ

2-1. ΣΥΝΔΕΣΗ ΚΑΛΩΔΙΩΝ ΕΞΩΤΕΡΙΚΗΣ ΜΟΝΑΔΑΣ

- 1) Αφαιρέστε το πλαίσιο συντήρησης.
- 2) Χαλαρώστε τη βίδα στερέωσης και συνδέστε σωστά τα καλώδια σύνδεσης εσωτερικής/εξωτερικής μονάδας (B) που προέρχεται από την εσωτερική μονάδα στη βάση ακροδεκτών. Προσέξτε να μην κάνετε λάθος συνδέσεις. Στερεώστε καλά τη βάση ακροδεκτών έτσι ώστε να μην είναι εμφανές κανένα μέρος από το κυρίως τμήμα και να μην ασκείται εξωτερική πίεση στο σημείο σύνδεσης της βάσης ακροδεκτών.
- 3) Βιδώστε σφιχτά τις βίδες των ακροδεκτών για να αποφύγετε το ξεβίδωμά τους. Αφού βιδώσετε, τραβήξτε ελαφρά τα καλώδια για να βεβαιωθείτε ότι δεν κινούνται.
- 4) Εκτελέστε τα βήματα 2) και 3) για όλες τις εσωτερική μονάδα.
- 5) Συνδέστε το καλώδιο τροφοδοσίας (A).
- 6) Στερεώστε το καλώδιο σύνδεσης εσωτερικής/εξωτερικής μονάδας (B) και το καλώδιο τροφοδοσίας (A) με το σφιγκτήρα καλωδίων.
- 7) Κλείστε καλά το πλαίσιο συντήρησης. Βεβαιωθείτε ότι το βήμα 3-2. ΣΥΝΔΕΣΗ ΣΩΛΗΝΑ έχει ολοκληρωθεί.
 - Αφού ολοκληρωθούν οι συνδέσεις μεταξύ του καλωδίου τροφοδοσίας (A) και του καλωδίου σύνδεσης εσωτερικής/εξωτερικής μονάδας (B), στερεώστε καλά όλα τα καλώδια με το σφιγκτήρα καλωδίων.



Καλώδιο σύνδεσης εσωτερικής/εξωτερικής μονάδας



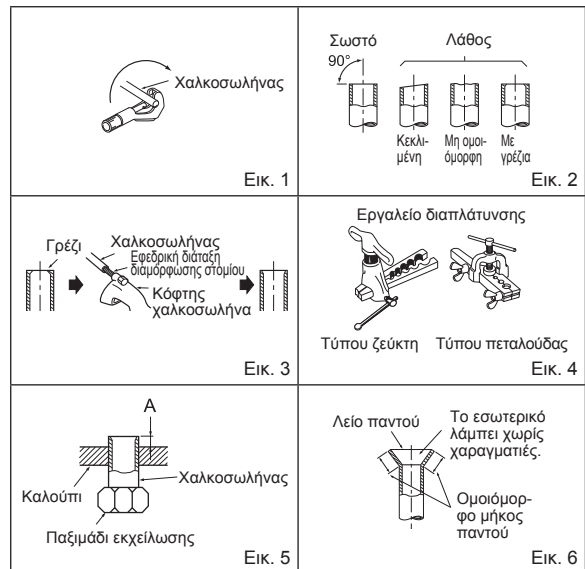
- Βεβαιωθείτε ότι έχετε στερεώσει όλες τις βίδες στους αντίστοιχους ακροδέκτες όταν στερεώνετε το σύρμα και/ή το καλώδιο στον πίνακα ακροδεκτών.
- Το καλώδιο γείωσης θα πρέπει να είναι λίγο μακρύτερο από τα υπόλοιπα. (Περισσότερο από 35 mm)
- Αφήστε μεγαλύτερο μήκος στα καλώδια σύνδεσης, για μελλοντική συντήρηση.

3. ΕΡΓΑΣΙΑ ΕΚΧΕΙΛΩΣΗΣ ΚΑΙ ΣΥΝΔΕΣΗΣ ΣΩΛΗΝΑ

3-1. ΕΚΧΕΙΛΩΣΗ

- 1) Κόψτε σωστά το σωλήνα με ένα κόφτη σωλήνα. (Εικ. 1, 2)
- 2) Καθαρίστε εντελώς όλα τα γρέζια από την κομμένη διατομή του σωλήνα. (Εικ. 3)
 - Ενώ καθαρίζετε τα γρέζια, τοποθετήστε τον χάλκινο σωλήνα με φορά προς τα κάτω, για να αποφύγετε να πέσουν γρέζια μέσα στο σωλήνα.
- 3) Αφαιρέστε τα περικόχλια εκχέλιωσης που υπάρχουν στην εσωτερική και την εξωτερική μονάδα και κατόπιν τοποθετήστε τα στους σωλήνες που έχετε ήδη καθαρίσει καλά από τα γρέζια. (Είναι αδύνατο να τα τοποθετήσετε μετά τη διαπλάτυνση.)
- 4) Εκχέλιωση (Εικ. 4, 5). Κρατήστε σταθερά το χαλκοσωλήνα στις διαστάσεις που υποδεικνύονται στον πίνακα. Επιλέξτε A mm από τον πίνακα, ανάλογα με το εργαλείο που χρησιμοποιείτε.
- 5) Έλεγχος
 - Συγκρίνετε την εκχέλιωση με την Εικ. 6.
 - Εάν η εκχέλιωση βρεθεί ελαττωματική, αποκόψτε αυτό το κομμάτι και επαναλάβετε τη διαδικασία.

Διάμετρος σωλήνα (mm)	Παξινόμοτος (mm)	A (mm)			Κλειδί ροπής στρέψης	
		Εργαλείο τύπου συμπλέκτη για R410A	Εργαλείο τύπου συμπλέκτη για R22	Εργαλείο τύπου πεταλούδας για R22	N•m	kgf•cm
ø6,35 (1/4")	17	0 - 0,5	1,0 - 1,5	1,5 - 2,0	13,7 - 17,7	140 - 180
ø9,52 (3/8")	22			34,3 - 41,2	34,3 - 41,2	350 - 420
ø12,7 (1/2")	26			49,0 - 56,4	49,0 - 56,4	500 - 575
ø15,88 (5/8")	29			73,5 - 78,4	73,5 - 78,4	750 - 800



3-2. ΣΥΝΔΕΣΗ ΣΩΛΗΝΑ

- 1) Αλείψτε μια λεπτή επίστρωση από ψυκτικό λάδι (G) στα εκχειλιωμένα άκρα των σωλήνων και στις συνδέσεις των σωλήνων της εξωτερικής μονάδας.
- 2) Ευθυγραμμίστε το κέντρο του σωλήνα με το κέντρο των συνδέσεων των σωλήνων της εξωτερικής μονάδας και έπειτα βιδώστε σφιχτά 3 με 4 στροφές το παξιμάδι εκχείλιωσης με το χέρι.
- 3) Σφίξτε το παξιμάδι εκχείλιωσης με κλειδί ροπής στρέψης όπως καθορίζεται στον παρακάτω πίνακα.
 - Το υπερβολικό σφίξιμο μπορεί να προκαλέσει βλάβη στο παξιμάδι εκχείλιωσης, με αποτέλεσμα τη διαρροή ψυκτικού υγρού.
 - Βεβαιωθείτε ότι τυλίξατε με μονωτικό υλικό τις σωληνώσεις. Η άμεση επαφή με σωληνώσεις χωρίς μόνωση ενδέχεται να προκαλέσει εγκαύματα ή κρουπαγήματα.

ΠΡΟΕΙΔΟΠΟΙΗΣΗ

Κατά την εγκατάσταση της μονάδας, συνδέστε με ασφάλεια τους ψυκτικούς σωλήνες πριν θέσετε σε λειτουργία το συμπιεστή.

3-3. ΜΟΝΩΣΗ ΚΑΙ ΠΕΡΙΔΕΣΗ

- 1) Καλύψτε τις ενώσεις των σωληνώσεων με κάλυμμα.
- 2) Για την εξωτερική μονάδα, μονώστε καλά κάθε σωληνώση, συμπεριλαμβανομένων των βαλβίδων.
- 3) Χρησιμοποιώντας ταινία περιδέσεως (E), εφαρμόστε την ταινία αρχίζοντας από την είσοδο της εξωτερικής μονάδας.
 - Καλύψτε το τέλος της ταινίας περιδέσεως (E) με κολλητική ταινία.
 - Όταν η διάταξη των σωληνώσεων πρέπει να γίνει διαμέσου ταβανίων, ντουλαπιών ή οπουδήποτε η θερμοκρασία και η υγρασία είναι μεγάλη, περιτυλίξτε επιπλέον μόνωση του εμπορίου για την αποφυγή συμπυκνώσεων.

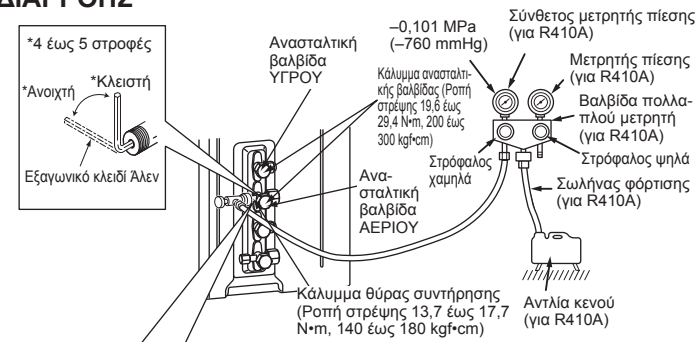
ΠΡΟΣΟΧΗ

Στην περίπτωση που υπάρχουν θύρες που δεν χρησιμοποιούνται, βεβαιωθείτε ότι τα παξιμάδια τους είναι καλά σφιγμένα.

4. ΔΙΑΔΙΚΑΣΙΕΣ ΚΑΘΑΡΙΣΜΟΥ, ΔΟΚΙΜΗ ΔΙΑΡΡΟΗΣ ΚΑΙ ΕΛΕΓΧΟΣ ΛΕΙΤΟΥΡΓΙΑΣ

4-1. ΔΙΑΔΙΚΑΣΙΕΣ ΚΑΘΑΡΙΣΜΟΥ ΚΑΙ ΔΟΚΙΜΗ ΔΙΑΡΡΟΗΣ

- 1) Αφαιρέστε το κάλυμμα της θύρας συντήρησης της ανασταλτικής βαλβίδας από την πλευρά των σωλήνων της εξωτερικής μονάδας. (Στην αρχική τους κατάσταση, οι ανασταλτικές βαλβίδες είναι πλήρως κλειστές και καλυμμένες με καπάκι.)
- 2) Συνδέστε τη βαλβίδα του πολλαπλού μετρητή και την αντλία κενού στη θύρα συντήρησης της ανασταλτικής βαλβίδας στην πλευρά του σωλήνα αερίου της εξωτερικής μονάδας.
- 3) Λειτουργήστε την αντλία κενού. (Λειτουργήστε για περισσότερα από 15 λεπτά.)
- 4) Ελέγξτε το κενό με τη βαλβίδα πολλαπλού μετρητή, κλείστε την και διακόψτε τη λειτουργία της αντλίας κενού.
- 5) Αφήστε την όπως είναι για ένα με δύο λεπτά. Βεβαιωθείτε ότι η βελόνα της βαλβίδας του πολλαπλού μετρητή παραμένει στην ίδια θέση. Επιβεβαιώστε ότι ο μετρητής δείχνει -0,101 MPa [Μετρητής] (-760 mmHg).
- 6) Αφαιρέστε γρήγορα τον πολλαπλό μετρητή βαλβίδας από τη θύρα συντήρησης της ανασταλτικής βαλβίδας.
- 7) Ανοίξτε πλήρως όλες τις ανασταλτικές βαλβίδες στο σωλήνα αερίου και στο σωλήνα υγρού. Η λειτουργία χωρίς να είναι ανοικτές οι βαλβίδες μειώνει την απόδοση και δημιουργεί προβλήματα.
- 8) Ανατρέξτε στα βήματα 1-2. και, εάν χρειάζεται, πληρώστε με την υποδεικνυόμενη ποσότητα ψυκτικού. Βεβαιωθείτε ότι η πλήρωση με υγρό ψυκτικό πραγματοποιείται σε αργό ρυθμό. Διαφορετικά, ενδέχεται να αλλάξει η σύνθεση του ψυκτικού στο σύστημα και να επηρεαστεί η απόδοση του κλιματιστικού.
- 9) Σφίξτε το κάλυμμα της θύρας συντήρησης ώστε να επανέλθει στην αρχική κατάσταση.
- 10) Δοκιμή διαρροής



Προφυλάξεις κατά τη χρήση της βαλβίδας ελέγχου

Εάν, κατά την προσάρτηση της βαλβίδας ελέγχου στη θύρα συντήρησης, ασκηθεί υπερβολική πίεση, υπάρχει κίνδυνος το κυρίως τμήμα της βαλβίδας να παραμορφωθεί ή να χαλαρώσει. Στην περίπτωση αυτή μπορεί να προκληθεί διαρροή αερίου. Όταν συνδέετε τη βαλβίδα ελέγχου στη θύρα συντήρησης, βεβαιωθείτε ότι το κυρίως τμήμα της βαλβίδας βρίσκεται στην κλειστή θέση και, στη συνέχεια, σφίξτε το εξάρτημα Α. Μην σφισίγγετε το εξάρτημα Α και μην στρέψετε το κυρίως σώμα όταν το κυρίως τμήμα της βαλβίδας βρίσκεται στην ανοικτή θέση.

Labels in diagram: Θύρα επισκευής, Βαλβίδα ελέγχου, Ανοικτή, Κλειστή, Α, Κυρίως σώμα, Σωλήνας φόρτισης (για R410A).

4-2. ΠΛΗΡΩΣΗ ΜΕ ΑΕΡΙΟ

Γεμίστε με αέριο τη μονάδα.

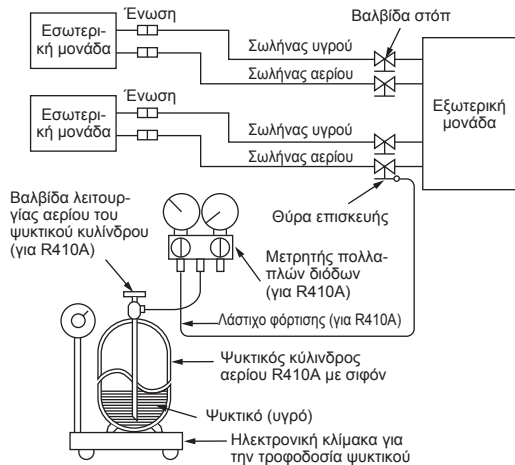
- 1) Συνδέστε τον κύλινδρο αερίου στην υποδοχή συντήρησης της ανασταλτικής βαλβίδας.
- 2) Εκτελέστε καθαρισμό με αέρα της σωλήνας (ή λάστιχο), που βγαίνει από τον ψυκτικό κύλινδρο αερίου.
- 3) Ξαναγεμίστε την καθορισμένη ποσότητα ψυκτικού, ενώ λειτουργείτε το κλιματιστικό στην ψύξη.

Σημείωση:

Στην περίπτωση που θα προσθέσετε ψυκτικό μέσο, να τηρήσετε την ποσότητα που προσδιορίζεται για τον ψυκτικό κύκλο.

ΠΡΟΣΟΧΗ:

Όταν φορτίζετε το ψυκτικό σύστημα με πρόσθετο ψυκτικό, βεβαιωθείτε ότι χρησιμοποιείτε ψυκτικό υγρό. Αν προσθέσετε ψυκτικό αέριο μπορεί να αλλάξει η σύνθεση του ψυκτικού στο σύστημα και να επηρεάσει δυσμενώς την κανονική λειτουργία του κλιματιστικού. Επίσης, κάντε αργά την πλήρωση του υγρού ψυκτικού, αλλιώς ο συμπιεστής θα μπλοκάρει. Κατά την διάρκεια των ψυχρών μηνών για να διατηρήσετε την υψηλή πίεση στον κύλινδρο αερίου, ζεσταντέ τον με χλιαρό νερό (κάτω των 40°C). Ποτέ όμως μην χρησιμοποιήσετε φωτιά ή ατμό.

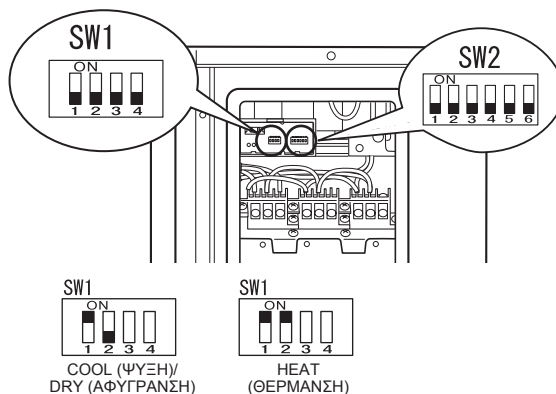


4-3. ΚΛΕΙΔΩΜΑ ΤΗΣ ΚΑΤΑΣΤΑΣΗΣ ΛΕΙΤΟΥΡΓΙΑΣ ΤΟΥ ΚΛΙΜΑΤΙΣΤΙΚΟΥ (ΨΥΞΗ, ΑΦΥΓΡΑΝΣΗ, ΘΕΡΜΑΝΣΗ)

- Περιγραφή της λειτουργίας:
Με αυτήν τη λειτουργία, μόλις τεθεί σε κατάσταση COOL/DRY (ΨΥΞΗ/ΑΦΥΓΡΑΝΣΗ) ή HEAT (ΘΕΡΜΑΝΣΗ), το κλιματιστικό θα λειτουργεί μόνο σε αυτή την κατάσταση.
- * Για να ενεργοποιήσετε αυτήν τη λειτουργία θα πρέπει να αλλάξετε τη ρύθμιση. Εξηγήστε αυτή τη λειτουργία στους πελάτες σας και ρωτήστε τους εάν θέλουν να την χρησιμοποιήσουν.

[Διαδικασία κλειδώματος κατάστασης λειτουργίας]

- 1) Βεβαιωθείτε ότι έχετε διακόψει την τροφοδοσία ρεύματος του κλιματιστικού πριν κάνετε τη ρύθμιση.
- 2) Για να ενεργοποιήσετε αυτήν τη λειτουργία, τοποθετήστε το διακόπτη "1" του SW1 που βρίσκεται στην εξωτερική πλακέτα ενδείξεων στη θέση ON (ΕΝΕΡΓΟΠΟΙΗΣΗ).
- 3) Για να κλειδώσετε τη λειτουργία στην κατάσταση COOL/DRY (ΨΥΞΗ/ΑΦΥΓΡΑΝΣΗ), τοποθετήστε το διακόπτη "2" του SW1 που βρίσκεται στην εξωτερική πλακέτα ενδείξεων στη θέση OFF (ΑΠΕΝΕΡΓΟΠΟΙΗΣΗ). Για να κλειδώσετε τη λειτουργία στην κατάσταση HEAT (ΘΕΡΜΑΝΣΗ), τοποθετήστε τον ίδιο διακόπτη στη θέση ON (ΕΝΕΡΓΟΠΟΙΗΣΗ).
- 4) Ανοίξτε την τροφοδοσία ρεύματος για το κλιματιστικό.



4-4. ΜΕΙΩΣΗ ΤΟΥ ΕΠΙΠΕΔΟΥ ΘΟΡΥΒΟΥ ΛΕΙΤΟΥΡΓΙΑΣ ΤΗΣ ΕΞΩΤΕΡΙΚΗΣ ΜΟΝΑΔΑΣ

- Περιγραφή της λειτουργίας:
Με αυτήν τη λειτουργία, μπορεί να μειωθεί ο θόρυβος λειτουργίας της εξωτερικής μονάδας μέσω της μείωσης του φόρτου λειτουργίας, όπως για παράδειγμα, κατά τη διάρκεια της νύχτας στην κατάσταση ΨΥΞΗΣ. Ωστόσο, έχετε υπόψη σας ότι με την ενεργοποίηση αυτής της λειτουργίας, ενδέχεται να μειωθεί η ένταση της ψύξης και της θέρμανσης.
- * Για να ενεργοποιήσετε αυτήν τη λειτουργία θα πρέπει να αλλάξετε τη ρύθμιση. Εξηγήστε αυτή τη λειτουργία στους πελάτες σας και ρωτήστε τους εάν θέλουν να την χρησιμοποιήσουν.

[Διαδικασία μείωσης επιπέδου θορύβου λειτουργίας]

- 1) Βεβαιωθείτε ότι έχετε διακόψει την τροφοδοσία ρεύματος του κλιματιστικού πριν κάνετε τη ρύθμιση.
- 2) Για να ενεργοποιήσετε αυτήν τη λειτουργία, τοποθετήστε το διακόπτη "3" του SW1 που βρίσκεται στην εξωτερική πλακέτα ενδείξεων στη θέση ON (ΕΝΕΡΓΟΠΟΙΗΣΗ).
- 3) Ανοίξτε την τροφοδοσία ρεύματος για το κλιματιστικό.



4-5. ΔΟΚΙΜΑΣΤΙΚΗ ΛΕΙΤΟΥΡΓΙΑ

- Οι δοκιμές λειτουργίας των εσωτερικών μονάδων θα πρέπει να εκτελούνται μεμονωμένα. Ανατρέξτε στο εγχειρίδιο εγκατάστασης που συνοδεύει την εσωτερική μονάδα και βεβαιωθείτε ότι όλες οι μονάδες λειτουργούν σωστά.
- Στην περίπτωση που οι δοκιμές λειτουργίας εκτελεστούν ταυτόχρονα σε όλες τις μονάδες, δεν θα είναι δυνατός ο εντοπισμός τυχόν λανθασμένων συνδέσεων στους ψυκτικούς σωλήνες και στα καλώδια σύνδεσης της εσωτερικής/εξωτερικής μονάδας. Για αυτόν τον λόγο, θα πρέπει να εκτελέσετε τις δοκιμές λειτουργίας ξεχωριστά.

Βεβαιωθείτε ότι έχουν γίνει τα εξής:

- Υπάρχει τροφοδοσία στη μονάδα.
- Οι ανασταλτικές βαλβίδες είναι ανοιχτές.

Σχετικά με το μηχανισμό επανεκκίνησης ασφαλείας

Αφού σταματήσει ο συμπιεστής, ο μηχανισμός ασφαλείας επανεκκίνησης συνεχίζει να λειτουργεί έτσι ώστε ο συμπιεστής να μη λειτουργήσει για 3 λεπτά προστατεύοντας το κλιματιστικό.

4-6. ΔΙΕΥΚΡΙΝΙΣΕΙΣ ΓΙΑ ΤΟ ΧΡΗΣΤΗ

- Στις ΟΔΗΓΙΕΣ ΛΕΙΤΟΥΡΓΙΑΣ διευκρινίζεται ο τρόπος χρήσης του κλιματιστικού (χρήση του τηλεχειριστηρίου, αφαίρεση των φίλτρων αέρα, αφαίρεση ή τοποθέτηση του τηλεχειριστηρίου στη βάση στήριξης, καθαρισμός, προφυλάξεις κατά τη λειτουργία, κλπ.).
- Υποδείξτε στο χρήστη να διαβάσει προσεκτικά τις ΟΔΗΓΙΕΣ ΛΕΙΤΟΥΡΓΙΑΣ.

5. ΕΚΚΕΝΩΣΗ

Κατά την αλλαγή θέσης ή την απόρριψη του κλιματιστικού, εκκενώστε το σύστημα ακολουθώντας την παρακάτω διαδικασία έτσι ώστε να μην απελευθερωθεί ψυκτικό υγρό στην ατμόσφαιρα.

- 1) Κλείστε τον αυτόματο διακόπτη.
- 2) Συνδέστε τη βαλβίδα του πολλαπλού μετρητή στη θύρα συντήρησης της ανασταλτικής βαλβίδας στην πλευρά του σωλήνα αερίου της εξωτερικής μονάδας.
- 3) Κλείστε πλήρως την ανασταλτική βαλβίδα στην πλευρά του σωλήνα υγρού της εξωτερικής μονάδας.
- 4) Ανοίξτε τον αυτόματο διακόπτη.
- 5) Εκκινήστε τη λειτουργία ΨΥΞΗΣ (COOL) έκτακτης ανάγκης σε όλες τις εσωτερικές μονάδες.
- 6) Όταν ο μετρητής πίεσης δείξει 0,05 έως 0 MPa [Μετρητής] (περίπου 0,5 έως 0 kgf/cm²), κλείστε πλήρως την ανασταλτική βαλβίδα στην πλευρά του σωλήνα αερίου της εξωτερικής μονάδας και διακόψτε τη λειτουργία. (Για τη μέθοδο διακοπής της λειτουργίας, ανατρέξτε στο εγχειρίδιο εγκατάστασης της εσωτερικής μονάδας).
* Αν έχει προστεθεί υπερβολική ποσότητα ψυκτικού υγρού στο σύστημα του κλιματιστικού, η πίεση ενδέχεται να μην πέσει στα 0,05 MPa [Μετρητής] (περίπου 0,5 kgf/cm²) ή ενδέχεται να ενεργοποιηθεί η λειτουργία προστασίας εξαιτίας της αύξησης της πίεσης στο κύκλωμα ψυκτικού υγρού υψηλής πίεσης. Αν συμβεί κάτι τέτοιο, χρησιμοποιήστε μια συσκευή συλλογής ψυκτικού υγρού για να συλλέξετε όλο το ψυκτικό υγρό από το σύστημα και, στη συνέχεια, επαναπληρώστε το σύστημα με τη σωστή ποσότητα ψυκτικού υγρού, αφού επανατοποθετήσετε την εσωτερική και την εξωτερική μονάδα.
- 7) Κλείστε τον αυτόματο διακόπτη. Αφαιρέστε το μετρητή πίεσης και τη σωλήνωση ψυκτικού υγρού.

▲ ΠΡΟΕΙΔΟΠΟΙΗΣΗ

Κατά την εκκένωση του ψυκτικού υγρού, διακόψτε τη λειτουργία του συμπιεστή πριν αποσυνδέσετε τους σωλήνες ψυκτικού υγρού. Εάν εισχωρήσει στους σωλήνες οποιαδήποτε ξένη ουσία, όπως αέρας, ενδέχεται να προκληθεί διάρρηξη του συμπιεστή και τραυματισμός.

ÍNDICE

1. ANTES DA INSTALAÇÃO.....	1
2. INSTALAÇÃO DA UNIDADE EXTERIOR.....	4
3. TRABALHOS DE ALARGAMENTO E LIGAÇÃO DOS TUBOS.....	4
4. PROCEDIMENTOS DE PURGA, TESTE DE FUGAS E TESTE DE FUNCIONAMENTO.....	5
5. BOMBAGEM.....	6

Ferramentas Necessárias para a Instalação

Chave de parafusos Phillips	Abocardador para tubos R410A
Nível	Tubo de manómetro para R410A
Escala	R410A
Faca ou tesoura	Bomba de vácuo para R410A
Chave dinamométrica	Mangureira de abastecimento para R410A
Chave (por exemplo, chave inglesa)	Cortador de tubos com alargador
Chave hexagonal de 4 mm	

1. ANTES DA INSTALAÇÃO

1-1. POR QUESTÕES DE SEGURANÇA, CUMPRA SEMPRE AS SEGUINTE INDICAÇÕES

- Leia a secção "POR QUESTÕES DE SEGURANÇA, CUMPRA SEMPRE AS SEGUINTE INDICAÇÕES" antes de instalar o aparelho de ar condicionado.
- Cumpra as indicações de aviso e cuidado apresentadas nesta secção, pois incluem informações de segurança importantes.
- Depois de ler este manual, guarde-o juntamente com as INSTRUÇÕES DE OPERAÇÃO para referência futura.

⚠️ AVISO (Pode causar a morte, ferimentos graves, etc.)

- **Não faça você mesmo a instalação (utilizador).**
Uma instalação incompleta pode causar incêndios, choques eléctricos, ferimentos devidos à queda da unidade ou fuga de água. Consulte o seu revendedor ou um instalador autorizado.
- **A instalação deve ser efectuada de forma segura, consultando o manual de instalação.**
Uma instalação incompleta pode causar incêndios, choques eléctricos, ferimentos devidos à queda da unidade ou fuga de água.
- **Quando instalar a unidade, garanta a segurança usando equipamento de protecção e ferramentas adequados.**
Se não o fizer, poderá provocar ferimentos.
- **Instale correctamente a unidade num local que suporte o peso da mesma.**
Se o local de instalação não suportar o peso da unidade, esta pode cair e causar ferimentos.
- **A instalação eléctrica deve ser efectuada por um electricista qualificado e experiente, em conformidade com o manual de instalação. Deve utilizar um circuito exclusivo. Não ligue outros aparelhos ao circuito.**
Se a capacidade do circuito de alimentação for insuficiente ou a instalação eléctrica for incorrecta, isso pode resultar num incêndio ou choque eléctrico.
- **Não danifique os fios ao aplicar pressão excessiva com peças ou parafusos.**
Os fios danificados podem causar incêndio ou choque eléctrico.
- **Certifique-se de que corta a corrente eléctrica principal no caso de proceder à instalação da placa de circuito impresso interna ou a trabalhos de instalação eléctrica.**
O incumprimento desta recomendação pode causar choque eléctrico.
- **Utilize os fios especificados para ligar as unidades interior e exterior de forma segura e ligue bem os fios às secções de ligação do bloco de terminais, de modo a que a tensão dos fios não seja aplicada às secções. Não faça nenhuma extensão dos fios nem utilize uma ligação intermédia.**
Uma ligação ou fixação incorrecta pode provocar um incêndio.
- **Não instale a unidade em locais onde possa existir uma fuga de gás inflamável.**
Se ocorrer uma fuga de gás e este se acumular em redor da unidade pode provocar uma explosão.
- **Não utilize uma ligação intermediária do cabo de alimentação nem um cabo de extensão e não ligue muitos dispositivos à mesma tomada CA.**
Isso poderia causar um incêndio ou um choque eléctrico devido a um contacto defeituoso, isolamento defeituoso, excesso da corrente permitível, etc.
- **Utilize as peças fornecidas ou as peças especificadas para o trabalho de instalação.**
A utilização de peças defeituosas pode causar ferimentos ou a fuga de água devido a um incêndio, choque eléctrico, queda da unidade, etc.
- **Quando ligar a ficha do cabo de alimentação na tomada, verifique se não há pó, obstruções nem peças soltas na tomada e na ficha. Verifique se a ficha do cabo de alimentação está completamente inserida na tomada.**
Se houver pó, obstruções ou peças soltas na ficha do cabo de alimentação ou na tomada, poderá ocorrer choque eléctrico ou incêndio. Se detectar peças soltas na ficha do cabo de alimentação, proceda à respectiva substituição.
- **Coloque a tampa da parte eléctrica na unidade interior e o painel de serviço na unidade exterior de forma segura.**

Se a tampa da parte eléctrica da unidade interior e/ou o painel de serviço da unidade exterior não forem devidamente colocados, poderá ocorrer um incêndio ou um choque eléctrico devido à existência de pó, água, etc.

- **Quando efectuar operações de instalação, reinstalação ou manutenção, certifique-se de que não entra nenhuma substância na unidade para além do refrigerante especificado (R410A) no respectivo circuito.**
A presença de substâncias estranhas, tal como ar, pode causar um aumento anormal da pressão ou resultar em explosão ou ferimentos. A utilização de um refrigerante diferente do indicado para o sistema resultará em falha mecânica, mau funcionamento do sistema ou avaria na unidade. No pior dos cenários, poderá constituir uma ameaça grave à segurança do produto.
- **Não descarregue o refrigerante para a atmosfera. Se ocorrer fuga de refrigerante durante a instalação, ventile a divisão.**
Se o refrigerante entrar em contacto com fogo, serão libertados gases nocivos. A fuga de refrigerante pode provocar asfixia. Assegure uma ventilação adequada, em conformidade com a norma EN378-1.
- **Certifique-se de que não existem fugas de gás refrigerante depois de concluída a instalação.**
Se ocorrer uma fuga de gás refrigerante num local interior e o gás entrar em contacto com a faísca de um termoventilador, aquecedor, fogão, etc., poderão ser geradas substâncias nocivas.
- **Utilize ferramentas e materiais de canalização adequados para a instalação.**
A pressão do R410A é 1,6 vezes superior à do R22. A não utilização de ferramentas ou materiais adequados e a instalação incompleta podem causar o rebentamento dos tubos ou ferimentos.
- **Quando proceder à bombagem do refrigerante, desligue o compressor antes de desligar os tubos de refrigerante.**
Se desligar os tubos de refrigerante com o compressor em funcionamento e a válvula de retenção estiver aberta, pode entrar ar e a pressão do ciclo de refrigeração pode ficar invulgarmente elevada. Isto poderá provocar o rebentamento dos tubos e ferimentos.
- **Quando instalar a unidade, ligue os tubos de refrigerante firmemente antes de ligar o compressor.**
Se o compressor for ligado antes de os tubos de refrigerante estarem ligados e se a válvula de retenção estiver aberta, pode entrar ar e a pressão do ciclo de refrigeração pode ficar invulgarmente elevada. Isto poderá provocar o rebentamento dos tubos e ferimentos.
- **Aperte a porca de abocardamento com uma chave dinamométrica, conforme o especificado neste manual.**
Se for demasiado apertada, a porca pode partir passado um longo período de tempo e provocar a fuga de refrigerante.
- **A unidade deve ser instalada de acordo com os regulamentos nacionais relativos a instalações eléctricas.**
- **Ligue a unidade à terra correctamente.**
Não ligue o fio de terra a um tubo de gás, tubo de água, haste de pararaios ou fio de terra de um telefone. Uma ligação incorrecta à terra pode provocar choque eléctrico.
- **Não se esqueça de instalar o disjuntor de fuga para terra.**
Deixar de instalar um disjuntor de fuga para terra pode provocar choque eléctrico ou incêndio.

⚠️ CUIDADO (Poderão causar ferimentos graves em determinados ambientes se a utilização for incorrecta.)

- **Efectue os trabalhos de drenagem/tubagem de forma segura, de acordo com o manual de instalação.**
Se a drenagem/tubagem for efectuada incorrectamente, pode cair água da unidade, molhando e danificando os bens da casa.
- **Não toque na entrada de ar nem nas palhetas de alumínio da unidade exterior.**
Isto poderá provocar ferimentos.
- **Não instale a unidade exterior em locais onde possam viver pequenos animais.**
Se animais pequenos entrarem ou tocarem nos componentes eléctricos no interior da unidade, podem provocar uma avaria, emissão de fumo ou um incêndio. Deve também aconselhar o utilizador a manter a área em torno da unidade limpa.

1-2. ESPECIFICAÇÕES

Modelo	Alimentação *1			Especificações dos fios *2		Comprimento do tubo e diferença de altura *3,*4, *5, *6 *7, *8			Nível de Ruído exterior					
	Voltagem Nominal	Frequência	Capacidade do disjuntor	Alimentação	Fio de ligação da unidade interior/exterior	Comprimento máx. do tubo por unidade interior/ para sistema múltiplo	Diferença máx. de altura *9	N.º máx. de curvas por unidade interior/ para sistema múltiplo	Ajuste do refrigerante A *10	Arrefecimento	Aquecimento			
MXZ-2D33VA	220-230-240 V	50 Hz	10 A	3 condutores, 1,0 mm ²	15 m / 20 m	10 m	15 / 20	20 g/m		49 dB (A)	50 dB (A)			
MXZ-2D42VA2			15 A	3 condutores, 1,0/1,5 mm ²						20 m / 30 m	15 m	20 / 30	46 dB (A)	51 dB (A)
MXZ-2D53VA(H)2														50 dB (A)

Nota:
Consulte a tabela para possíveis combinações (núm. de ref. do serviço).

Quando ligar a unidade interior da série MFZ-KJ a esta unidade exterior, carregue o refrigerante adicional de acordo com as instruções da tabela seguinte.

N.º de unidades interiores MFZ-KJ	Comprimento do tubo (L)		Quantidade máxima de refrigerante
	~ 20 m		
1 unidade	100 g adicionais (Total de 1250 g)		1250 g
2 unidades	Não disponível (É possível ligar apenas uma unidade interior da série MFZ-KJ.)		

MXZ-2D42VA2 MXZ-2D53VA2 MXZ-2D53VAH2

N.º de unidades interiores MFZ-KJ	Comprimento do tubo (L)		Quantidade máxima de refrigerante
	~ 20 m	~ 30 m	
1 unidade	100 g adicionais (Total de 1400 g)	100 g + {(L - 20) m x 20 g/m}	1600 g
2 unidades	200 g adicionais (Total de 1500 g)	200 g + {(L - 20) m x 20 g/m}	1700 g

- *1 Ligue a um interruptor de alimentação que tenha uma folga de 3 mm ou mais quando aberto para interromper a fase da fonte de alimentação. (Quando o interruptor de alimentação for desligado, deve desligar todas as fases.)
- *2 Utilize fios em conformidade com a norma IEC 60245 - 57. Utilize o fio de ligação interior/exterior de acordo com as especificações dos fios contidas no manual de instalação da unidade interior.
- *3 Nunca utilize tubos de espessura inferior à especificada. A resistência à pressão será insuficiente.
- *4 Utilize um tubo de cobre ou de liga de cobre integral.
- *5 Tenha cuidado para não danificar o tubo quando o dobrar.
- *6 O raio de curvatura do tubo refrigerante deve ser de 100 mm ou mais.

- *7 Material de isolamento: plástico espumoso antitérmico com gravidade específica de 0,045
- *8 Certifique-se de que é utilizado o isolamento com a espessura especificada. Uma espessura excessiva pode causar a instalação incorrecta da unidade interior e uma espessura insuficiente pode provocar a queda de gotas de condensação.
- *9 Se a unidade exterior estiver instalada num ponto mais alto do que a unidade interior, a diferença de altura máxima é reduzida para 10 m.
- *10 Se o comprimento do tubo for superior a 20 m, é necessária uma carga adicional de refrigerante (R410A). (Não é necessária qualquer carga adicional se o comprimento do tubo for inferior a 20 m.)
Refrigerante adicional = A × (comprimento do tubo (m) - 20)

1-3. SELECÇÃO DAS JUNTAS OPCIONAIS PARA DIÂMETROS DIFERENTES

Se o diâmetro do tubo de ligação não corresponder ao tamanho da porta da unidade exterior, utilize juntas opcionais para diâmetros diferentes, de acordo com a tabela seguinte.

(Unidade: mm (polegadas))

Tamanho da porta da unidade exterior		Juntas opcionais para diâmetros diferentes (tamanho da porta da unidade exterior → diâmetro do tubo de ligação)
MXZ-2D	Líquido/Gás	9,52 (3/8) → 12,7 (1/2) : MAC-A454JP-E
A, B UNIDADE	6,35 (1/4) / 9,52 (3/8)	Consulte o manual de instalação da unidade interior para saber qual o diâmetro do tubo de ligação da unidade interior.

1-4. ESCOLHA DO LOCAL DE INSTALAÇÃO

- Locais onde não haja exposição a ventos fortes.
- Locais onde o fluxo de ar seja bom e não exista pó.
- Locais onde se evite o mais possível a exposição à chuva ou à luz solar directa.
- Locais onde o som de funcionamento e o ar quente não incomodem os vizinhos.
- Locais onde haja uma parede ou suporte rígido para evitar o aumento do som de funcionamento ou da vibração.
- Locais onde não haja risco de fugas de combustível ou gás.
- Ao instalar a unidade, certifique-se de que fixa os apoios da unidade.
- Locais que fiquem a uma distância mínima de 3 m do televisor e do rádio. O funcionamento do ar condicionado pode interferir com a recepção do sinal de rádio ou TV em locais onde a recepção seja fraca. Pode ser necessário um amplificador para o aparelho afectado.
- Instale a unidade na horizontal.
- Instale a unidade numa zona não afectada pela queda de neve. Em zonas de nevões intensos, instale um resguardo, um pedestal e/ou algumas protecções.

Nota:

Recomenda-se que seja efectuada uma curva na tubagem junto à unidade exterior para reduzir a vibração transmitida.

Nota:

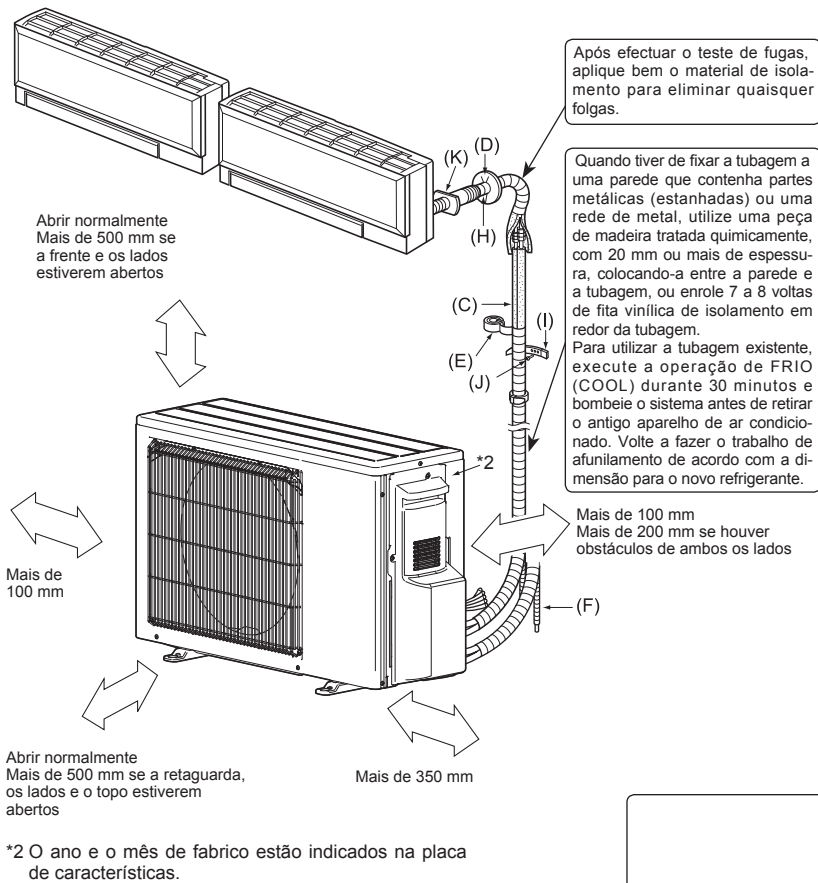
Se utilizar o aparelho de ar condicionado a uma temperatura exterior baixa, siga as instruções apresentadas em seguida.

- Nunca instale a unidade exterior num local onde a saída/entrada de ar fique directamente exposta ao vento.
- Para evitar a exposição ao vento, instale a unidade exterior com o lado da entrada de ar virado para a parede.
- Para evitar a exposição ao vento, recomenda-se a instalação de uma protecção no lado da saída de ar da unidade exterior.

Evite efectuar a instalação nos locais apresentados em seguida, pois estes são propensos à ocorrência de problemas com o aparelho de ar condicionado.

- Locais onde possam existir fugas de gás inflamável.
- Locais onde haja muito óleo de máquinas.
- Locais sujeitos a salpicos de óleo ou áreas com fumos oleosos (como, por exemplo, áreas de restauração e fábricas, nas quais as propriedades do plástico podem ser alteradas ou danificadas).
- Locais expostos a ar salgado, tais como locais à beira-mar.
- Locais onde se produza gás sulfuroso, tal como em nascentes de água quente.
- Locais onde existam equipamentos de alta frequência ou sem fios.
- Nos locais sujeitos a emissão de níveis elevados de COV, incluindo compostos de ftalato, formaldeído, etc., susceptível de causar intoxicação química.

1-5. DIAGRAMA DE INSTALAÇÃO



ACESSÓRIOS

Certifique-se de que possui as peças apresentadas em seguida antes de efectuar a instalação.

(1)	Cavidade de drenagem	1
-----	----------------------	---

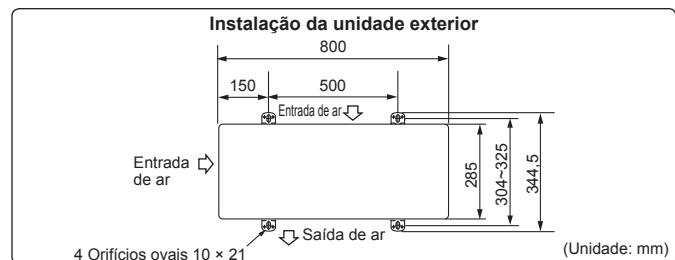
PEÇAS A SEREM FORNECIDAS NO LOCAL

(A)	Cabo de alimentação*1	1
(B)	Fio de ligação das unidades interior/ exterior*1	1
(C)	Tubo de ligação	1
(D)	Tampa para o orifício da parede	1
(E)	Fita do tubo	1
(F)	Extensão da mangueira de drenagem (ou mangueira maleável em PVC com diâmetro interno de 15 mm ou tubo rígido VP16 em PVC)	1
(G)	Óleo refrigerante	Pequeno volume
(H)	Pasta	1
(I)	Banda de fixação do tubo	2 a 7
(J)	Parafuso de fixação para (I)	2 a 7
(K)	Manga do orifício de parede	1
(L)	Mangueira flexível em PVC com diâmetro interno de 15 mm ou tubo rígido VP16 em PVC para a cavidade de drenagem (1)	1

Nota:

*1 Coloque o fio de ligação das unidades interior/exterior (B) e o cabo de alimentação (A) a, pelo menos, 1 m de distância do cabo da antena do televisor.

A "Qtd" para as peças (B) a (K) na tabela anterior é a quantidade a utilizar por unidade interior.



As unidades devem ser instaladas por pessoal autorizado de acordo com os requisitos do código local.

1-6. TUBAGEM DE DRENAGEM PARA A UNIDADE EXTERIOR

Efectue o trabalho de drenagem da tubagem apenas quando drenar a partir de um local.

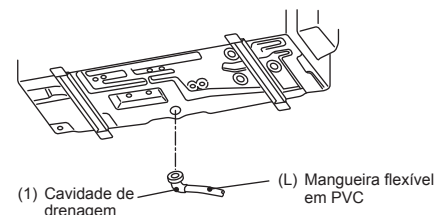
- 1) Instale a tubagem de drenagem antes de efectuar a ligação da tubagem interior e exterior.
- 2) Ligue a mangueira flexível em PVC (L) com diâmetro interno de 15 mm conforme indica a figura.
- 3) Certifique-se de que instala uma tubagem de drenagem com pendente para facilitar a drenagem.

Nota:

Instale a unidade na horizontal.

Não utilize o bocal de drenagem (1) em regiões frias. A drenagem pode congelar e parar a ventoinha.

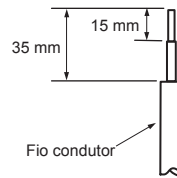
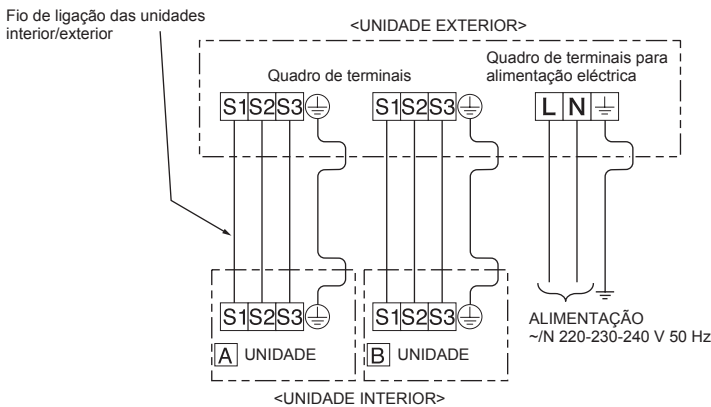
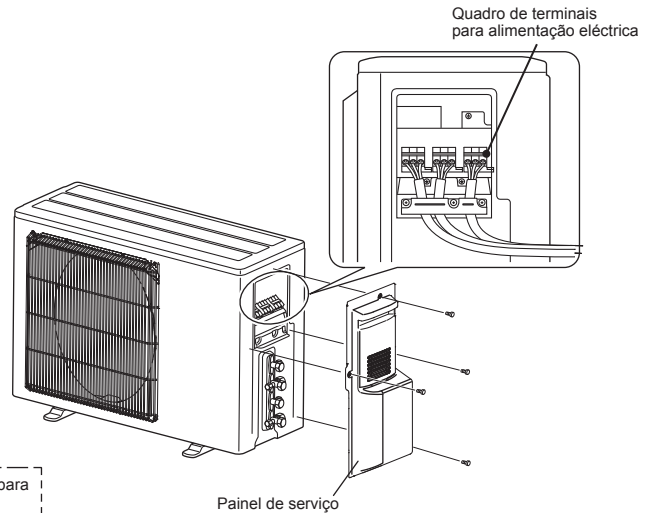
A unidade exterior produz condensação durante a operação de aquecimento. Selecione o local de instalação de forma a evitar que a unidade exterior e/ou o chão fiquem húmidos devido à água de drenagem ou danificados por água de drenagem congelada.



2. INSTALAÇÃO DA UNIDADE EXTERIOR

2-1. LIGAÇÃO DOS FIOS PARA A UNIDADE EXTERIOR

- 1) Retire o painel de serviço.
- 2) Desaperte o parafuso do terminal e ligue correctamente o fio de ligação das unidades interior/exterior (B), partindo da unidade interior, ao quadro de terminais. Tenha cuidado para não efectuar ligações incorrectas. Fixe bem o fio no quadro de terminais de forma a que nenhuma parte do núcleo fique visível e não seja exercida qualquer força externa na secção de ligação do quadro de terminais.
- 3) Aperte bem os parafusos dos terminais para evitar que se desapertem. Depois de apertar, puxe os fios ligeiramente e verifique se não se movem.
- 4) Efectue os passos 2) e 3) para cada unidade interior.
- 5) Ligue o cabo de alimentação (A).
- 6) Fixe o fio de ligação das unidades interior/exterior (B) e o cabo de alimentação (A) com as braçadeiras de cabo.
- 7) Feche o painel de serviço de forma segura. Certifique-se de que a operação 3-2. LIGAÇÃO DOS TUBOS está concluída.
 - Depois de fazer as ligações entre o cabo de alimentação (A) e o fio de ligação das unidades interior/exterior (B), certifique-se de que fixa o cabo e o fio com braçadeiras de cabo.



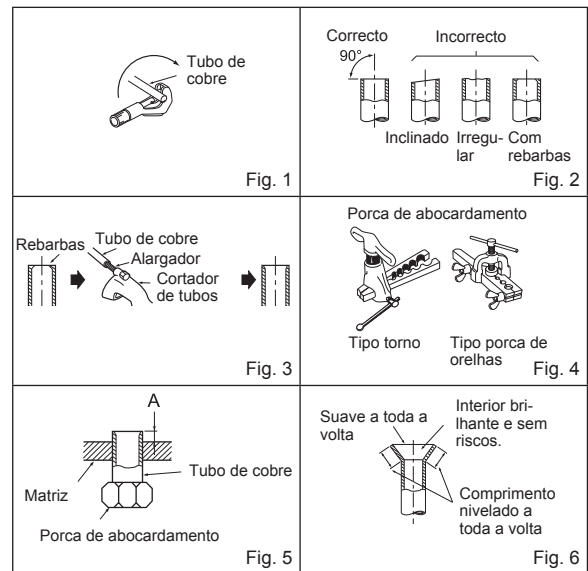
- Certifique-se de que aperta cada parafuso no respectivo terminal quando fixar o cabo e/ou o fio ao bloco de terminais.
- O fio de terra deve ser mais comprido do que os outros. (Mais de 35 mm)
- Para manutenção futura, os fios de ligação devem ficar com um comprimento extra.

3. TRABALHOS DE ALARGAMENTO E LIGAÇÃO DOS TUBOS

3-1. TRABALHO DE ABOCARDAMENTO

- 1) Corte o tubo de cobre correctamente com um cortador de tubos. (Fig. 1, 2)
- 2) Retire completamente todas as rebarbas da secção transversal de tubo. (Fig. 3)
 - Vire o tubo de cobre para baixo quando remover as rebarbas para evitar que estas caiam dentro do tubo.
- 3) Remova as porcas de abocardamento instaladas nas unidades interior e exterior e coloque-as no tubo sem nenhuma rebarba. (Não é possível colocá-las após o trabalho de abocardamento.)
- 4) Trabalho de abocardamento (Fig. 4, 5). Mantenha firmemente o tubo de cobre na dimensão apresentada na tabela. Selecione A mm na tabela de acordo com a ferramenta seleccionada.
- 5) Verifique
 - Compare o trabalho de abocardamento com a Fig. 6.
 - Se o abocardamento parecer incorrecto, corte a secção abocardada e efectue novamente o trabalho.

Diâmetro do tubo (mm)	Porca (mm)	A (mm)			Binário de aperto	
		Ferramenta tipo torno para R410A	Ferramenta tipo torno para R22	Ferramenta tipo porca de orelhas para R22	N•m	kgf•cm
ø6,35 (1/4")	17	0 - 0,5	1,0 - 1,5	1,5 - 2,0	13,7 - 17,7	140 - 180
ø9,52 (3/8")	22				34,3 - 41,2	350 - 420
ø12,7 (1/2")	26			2,0 - 2,5	49,0 - 56,4	500 - 575
ø15,88 (5/8")	29				73,5 - 78,4	750 - 800



3-2. LIGAÇÃO DOS TUBOS

- 1) Aplique uma camada fina de óleo refrigerante (G) nas extremidades de abocardamento dos tubos e das ligações dos tubos da unidade exterior.
- 2) Alinhe o centro do tubo com o centro das ligações dos tubos da unidade exterior e, em seguida, aperte manualmente a porca de abocardamento 3 a 4 voltas.
- 3) Aperte a porca de abocardamento com uma chave dinamométrica, conforme especificado na tabela.
 - Se for demasiado apertada, a porca de abocardamento pode ficar danificada e provocar uma fuga de refrigerante.
 - Certifique-se de que coloca fita isoladora em volta da tubagem. O contacto directo com tubagem não isolada pode provocar queimaduras ou ulceração.

⚠ AVISO

Quando instalar a unidade, ligue os tubos de refrigerante firmemente antes de ligar o compressor.

3-3. ISOLAMENTO

- 1) Cubra as juntas da tubagem com cobertura para tubos.
- 2) Do lado da unidade exterior, isole bem toda a tubagem, incluindo as válvulas.
- 3) Aplique fita para tubagem (E) começando na entrada da unidade exterior.
 - Termine o extremo da fita para tubagem (E) aplicando cola na fita.
 - Quando a tubagem tiver de ser posicionada através do tecto, de um armário ou em locais onde a temperatura e a humidade sejam elevadas, enrole um isolamento adicional disponível no mercado para evitar a condensação.

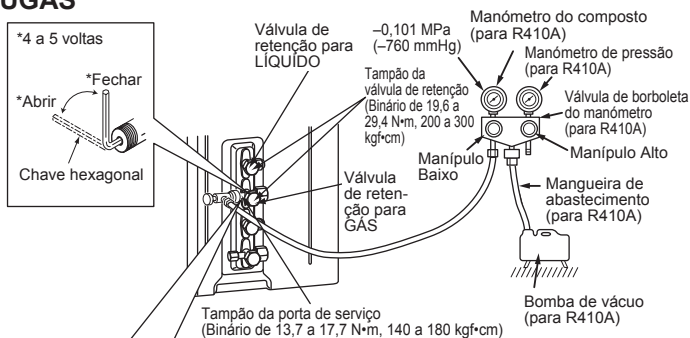
⚠ CUIDADO

Quando existirem portas que não são utilizadas, certifique-se de que as respectivas porcas estão firmemente apertadas.

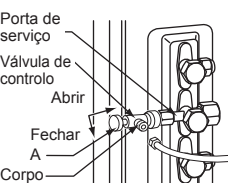
4. PROCEDIMENTOS DE PURGA, TESTE DE FUGAS E TESTE DE FUNCIONAMENTO

4-1. PROCEDIMENTOS DE PURGA E TESTE DE FUGAS

- 1) Retire o tampão da porta de serviço da válvula de retenção, do lado do tubo de gás da unidade exterior. (As válvulas de retenção encontram-se completamente fechadas e cobertas com o tampão no seu estado inicial.)
- 2) Ligue a válvula de borboleta do manómetro e a bomba de vácuo à porta de serviço da válvula de retenção, do lado do tubo de gás da unidade exterior.
- 3) Ligue a bomba de vácuo. (Aplique o vácuo durante mais de 15 minutos.)
- 4) Verifique o vácuo com a válvula de borboleta do manómetro, feche a válvula de borboleta do manómetro e pare a bomba de vácuo.
- 5) Deixe assim durante um ou dois minutos. Certifique-se de que o ponteiro do manómetro permanece na mesma posição. Confirme que o manómetro de pressão apresenta a indicação $-0,101$ MPa [Manómetro] (-760 mmHg).
- 6) Retire a válvula de borboleta do manómetro rapidamente da porta de serviço da válvula de retenção.
- 7) Abra completamente todas as válvulas de retenção do tubo de gás e do tubo de líquido. O funcionamento sem abertura total reduz o rendimento e causa problemas.
- 8) Consulte a secção 1-2. e abasteça a quantidade de refrigerante indicada, se necessário. Certifique-se de que abastece lentamente com refrigerante líquido. Caso contrário, a composição do refrigerante no sistema pode ser alterada e afectar o rendimento do aparelho de ar condicionado.
- 9) Aperte o tampão da porta de serviço para obter o estado inicial.
- 10) Efectue o teste de fugas



Precauções na utilização da válvula de controlo



Quando instalar a válvula de controlo na porta de serviço, a chapeleta da válvula pode deformar-se ou afrouxar-se por aplicação demasiada pressão. Isto pode provocar fuga de gás.

Quando instalar a válvula de controlo na porta de serviço, certifique-se de que a chapeleta da válvula está na posição fechada e, em seguida, aperte a peça A. Não aperte a peça A nem rode o corpo quando a chapeleta da válvula estiver na posição aberta.

4-2. CARGA DE GÁS

Efectue a carga de gás para a unidade.

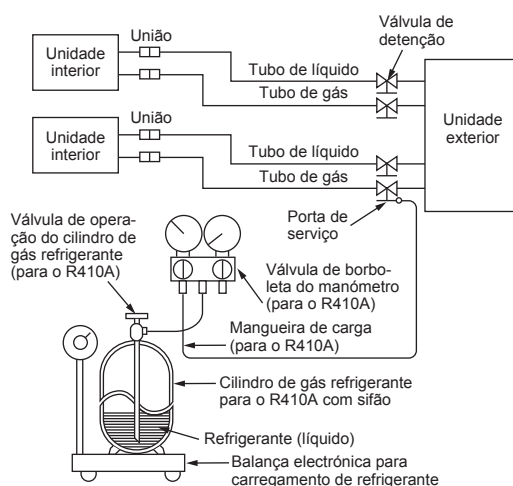
- 1) Ligue a bomba de gás à saída da válvula de detenção.
- 2) Execute o esvaziamento do ar do cano (ou da mangueira) vindo do cilindro de gás refrigerante.
- 3) Ateste novamente a quantidade especificada de refrigerante enquanto opera o aparelho de ar condicionado no modo de arrefecimento.

Nota:

No caso de adicionar refrigerante, adicione de acordo com a quantidade especificada para o ciclo de refrigerante.

CUIDADO:

Ao adicionar refrigerante ao sistema, certifique-se de que o refrigerante se encontra no estado líquido. Se o refrigerante for adicionado no estado gasoso, a sua composição poderá alterar-se no sistema e afectar o funcionamento normal do ar condicionado. Além disso, deve carregar o refrigerante líquido lentamente, caso contrário, o compressor será bloqueado. Para manter a pressão do cilindro de gás alta durante a época fria, aqueça-o com água morna (menos de 40°C). Nunca use fogo ou vapor.

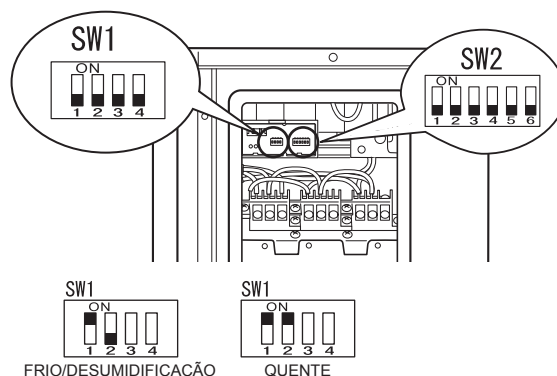


4-3. BLOQUEAR O MODO DE OPERAÇÃO DO APARELHO DE AR CONDICIONADO (FRIO, DESUMIDIFICAÇÃO, QUENTE)

- Descrição da função:
Com esta função, quando o modo de operação estiver bloqueado no modo FRIO/DESUMIDIFICAÇÃO (COOL/DRY) ou no modo QUENTE (HEAT), o aparelho de ar condicionado funciona apenas nesse modo.
- * É necessário alterar a configuração para activar esta função. Dê uma explicação aos seus clientes acerca desta função e pergunte-lhes se a querem utilizar.

[Como bloquear o modo de operação]

- 1) Certifique-se de que desliga a alimentação do aparelho de ar condicionado antes de fazer a definição.
- 2) Defina o 1.º Dip Switch de SW1 na placa de apresentação da unidade exterior para ON (ligar) para activar esta função.
- 3) Para bloquear a operação no modo de FRIO/DESUMIDIFICAÇÃO (COOL/DRY), defina o 2.º Dip Switch de SW1 na placa de apresentação da unidade exterior para OFF (desligar). Para bloquear a operação no modo de QUENTE (HEAT), coloque o mesmo interruptor em ON (ligar).
- 4) Ligue a alimentação principal para o aparelho de ar condicionado.



4-4. BAIXAR O RUÍDO DE OPERAÇÃO DA UNIDADE EXTERIOR

- Descrição da função:
Com esta função, é possível diminuir o ruído de funcionamento da unidade exterior, reduzindo a carga de funcionamento, por exemplo, durante a noite no modo de FRIO (COOL). No entanto, tenha em atenção que a capacidade de arrefecimento e de aquecimento pode diminuir se esta função estiver activada.
- * É necessário alterar a configuração para activar esta função. Dê uma explicação aos seus clientes acerca desta função e pergunte-lhes se a querem utilizar.

[Como baixar o ruído de operação]

- 1) Certifique-se de que desliga a alimentação principal do aparelho de ar condicionado antes de fazer a definição.
- 2) Defina o 3.º Dip Switch de SW1 na placa de apresentação da unidade exterior para ON (ligar) para activar esta função.
- 3) Ligue a alimentação principal para o aparelho de ar condicionado.



4-5. TESTE DE FUNCIONAMENTO

- Devem ser efectuados testes de funcionamento das unidades interiores individualmente. Consulte o manual de instalação fornecido com a unidade interior e certifique-se de que todas as unidades funcionam correctamente.
- Se o teste de funcionamento de todas as unidades for efectuado em conjunto, não será possível detectar eventuais ligações incorrectas dos tubos de refrigerante e dos fios de ligação da unidade interior/exterior. Por conseguinte, certifique-se de que efectua o teste de funcionamento uma a uma.

Certifique-se de que se verificam as seguintes condições.

- A unidade recebe alimentação eléctrica.
- As válvulas de retenção estão abertas.

Acerca do mecanismo de protecção de recolocação em funcionamento

Logo que o compressor deixe de funcionar, o dispositivo de prevenção de colocação em funcionamento é activado, de modo que o compressor não funcionará durante 3 minutos para proteger o aparelho de ar condicionado.

4-6. EXPLICAÇÃO PARA O UTILIZADOR

- Utilizando as INSTRUÇÕES DE OPERAÇÃO, explique ao utilizador de que forma deve utilizar o aparelho de ar condicionado (como utilizar o controlo remoto, como remover os filtros de ar, como retirar e colocar o controlo remoto na respectiva caixa de instalação, como limpar, as precauções a ter durante a operação, etc.).
- Recomende ao utilizador que leia com atenção as INSTRUÇÕES DE OPERAÇÃO.

5. BOMBAGEM

Quando mudar o aparelho de ar condicionado de sítio ou quando se desfizer deste, bombeie o sistema efectuando o procedimento apresentado em seguida, de modo a que não seja libertado refrigerante para a atmosfera.

- 1) Desligue o disjuntor.
- 2) Ligue a válvula de borboleta do manómetro à porta de serviço da válvula de retenção do lado do tubo do gás da unidade exterior.
- 3) Feche completamente a válvula de retenção do lado do tubo do líquido da unidade exterior.
- 4) Ligue o disjuntor.
- 5) Inicie a operação de ARREFECIMENTO (COOL) de emergência em todas as unidades interiores.
- 6) Quando manómetro de pressão apresentar a indicação 0,05 para 0 MPa [Manómetro] (aprox. 0,5 para 0 kgf/cm²), feche completamente a válvula de retenção do lado do tubo do gás da unidade exterior e pare a operação. (Consulte o manual de instalação da unidade interior acerca do método para parar a operação.)
 - * Se for adicionado demasiado refrigerante ao sistema de ar condicionado, a pressão pode não descer até aos 0,05 MPa [Manómetro] (aprox. 0,5 kgf/cm²) ou a função de protecção pode ser activada devido ao aumento de pressão no circuito de refrigeração de alta pressão. Se isto acontecer, utilize um colector de refrigerante para recolher todo o refrigerante do sistema e, em seguida, recarregue o sistema com a quantidade correcta de refrigerante depois de as unidades interior e exterior terem sido devidamente reposicionadas.
- 7) Desligue o disjuntor. Retire o manómetro e os tubos de refrigerante.

⚠ AVISO

Quando proceder à bombagem do refrigerante, desligue o compressor antes de desligar os tubos de refrigerante.
O compressor pode rebentar e provocar ferimentos se alguma substância estranha, tal como ar, entrar nos tubos.

INDHOLDSFORTEGNELSE

1. FØR INSTALLATION.....	1
2. INSTALLATION AF UDENDØRSENHED.....	4
3. OPKRAVNING SARBEJDE OG TILSLUTNING AF RØR.....	4
4. UDLUFTNINGSPROCEDURER, LÆKAGETEST OG TESTKØRSEL.....	5
5. TØMNING.....	6

Nødvendigt værktøj til installation

Stjerneskruetrækker	Opkravningsværktøj til R410A
Vaterpas	R410A
Målestok	Målemanifold til R410A
Kniv eller saks	Vakuumpumpe til R410A
Momentnøgle	Påfyldningsslange til R410A
Nøgle (eller skrue nøgle)	Rørskærer med rival
4 mm sekskantnøgle	

1. FØR INSTALLATION

1-1. FØLGENDE SIKKERHEDSFORSKRIFTER SKAL ALTID IAGTTAGES

- Læs "FØLGENDE SIKKERHEDSFORSKRIFTER SKAL ALTID IAGTTAGES", før klima anlægget installeres.
- lagtag altid de herunder nævnte advarsler og forsigtighedsregler, da de indeholder vigtige sikkerhedsforskrifter.
- Efter læsning af denne manuel, sørg da for at opbevare den sammen med BETJENINGSVEJLEDNINGEN med henblik på senere brug.

⚠ ADVARSEL (Kan medføre livsfare, alvorlig personskade, etc.)

- Installer ikke klima anlægget selv (bruger).**
Ufuldstændig installation kan føre til brand, elektriske stød, personskade pga. nedfald af enheden eller vandlækage. Henvend Dem til den forhandler, hvor De har købt anlægget eller til en fagkyndig installatør.
- Udfør installationen på forsvarlig vis i henhold til installationsmanualen.**
Ufuldstændig installation kan føre til brand, elektriske stød, personskade pga. nedfald af enheden eller vandlækage.
- Ved installation af enheden skal der af sikkerhedsårsager benyttes passende beskyttelsesudstyr og værktøjer.**
Hvis der ikke gøres det, kan det forårsage personskader.
- Installer enheden forsvarligt på et sted, der kan bære vægten af den.**
Hvis monteringsstedet ikke kan bære vægten af enheden, kan den falde ned med personskade til følge.
- Elektrisk arbejde skal udføres af en autoriseret, erfaren elektriker i overensstemmelse med installationsvejledningen. Brug altid et specielt kredsløb. Slut ikke andre elektriske apparater til kredsløbet.**
Hvis det elektriske kredsløbs kapacitet er utilstrækkeligt, eller det elektriske arbejde er ufuldstændigt, vil der være risiko for brand eller elektrisk stød.
- Undgå at beskadige ledningerne ved at udøve et for stort tryk på disse med dele eller skruer.**
Beskadigede ledninger kan forårsage brand eller elektrisk stød.
- Afbryd strømtilførslen, hvis der skal monteres PC-styrekort eller udføres ledningsarbejde på indendørsenheden.**
Ellers kan det medføre elektrisk stød.
- Brug de foreskrevne ledninger til at forbinde indendørsenheden og udendørsenheden, og sæt ledningerne godt fast på klæpladens tilslutningssektioner, uden at de udøver tryk på sektionerne. Forlæng ikke ledningerne, og brug ikke forlængerledninger.**
Ufuldstændig tilslutning og fastgørelse kan forårsage brand.
- Installer ikke enheden på et sted, hvor der er siver brændbar gas ud.**
Hvis gas siver ud i nærheden af enheden, kan der være risiko for eksplosion.
- Brug ikke indirekte tilslutning af netledningen eller en forlængerledning, og undlad at tilslutte mange anordninger til samme vægkontakt.**
Dette kan medføre risiko for brand eller elektrisk stød på grund af defekt kontakt, defekt isolation, overskridning af den tilladte spænding etc.
- Brug de medfølgende dele eller specificerede dele til installationsarbejdet.**
Anvendelse af defekte dele kan føre til personskade og/eller vandlækage forårsaget af brand, elektrisk stød eller at enheden falder ned etc.
- Sørg for, at der ikke er støv, tilstopning eller løse dele i hverken stikkontakten eller på netstikket, når netstikket sættes i stikkontakten. Kontrollér, at strømforsyningsstikket er skubbet helt ind i stikkontakten.**
Støv, tilstopning eller løse dele på strømforsyningsstikket eller i stikkontakten kan forårsage elektrisk stød eller brand. Udskift strømforsyningsstikket, hvis det har løse dele.
- Monter dækslerne over de elektriske dele på indendørsenheden og servicepanelet på udendørsenheden forsvarligt.**
Hvis disse dæksler ikke monteres forsvarligt, vil der være risiko for brand eller elektrisk stød pga. støv, vand o. lign.
- Sørg for, at der ikke kommer nogen masse udover det angivne kølemiddel (R410A) ind i kølemidlets kredsløb, når enheden installeres, omplaceres eller serviceres.**
Tilstedeværelsen af fremmede substanser, f.eks. luft, kan forårsage unormal trykstigning og forårsage eksplosion eller tilskadekomst. Brug af andre kølemidler end det, der er specificeret for systemet, vil forårsage mekanisk fejl, systemfejl eller ødelæggelse af enheden. I værste fald kan det medføre en alvorlig reduktion af produktsikkerheden.
- Kølevæsken må ikke udledes i atmosfæren. Hvis der siver kølevæske ud under installation, skal rummet udluftes.**
Hvis kølegassen kommer i kontakt med ild, kan der opstå skadelige dampe. Lækage af kølemiddel kan forårsage kvælning. Sørg for ventilation i overensstemmelse med EN378-1.
- Kontroller, at der ikke siver kølegas ud, når installationen er færdig.**
Hvis kølegassen siver ud indendørs og kommer i kontakt med varmen fra varmeblæser, varmeapparat, brændeovn el. lign., kan der opstå skadelige dampe.
- Brug egnet værktøj og rørmateriale til installationen.**
Trykket i R410A er 1,6 gange højere end i R22. Hvis der ikke bruges egnet værktøj eller materialer, kan en ufuldstændig installation medføre, at rørene springer eller tilskadekomst.
- Ved tømning af kølemiddel skal kompressoren stoppes, før kølerørene afmonteres.**
Hvis kølerørene afmonteres, mens kompressoren kører, og stopventilen er åben, kan der trækkes luft ind, og trykket i kølesystemet blive unormalt højt. Dette kan få rørene til at springe eller medføre tilskadekomst.
- Tilslut omhyggeligt rørene, før kompressoren startes, når enheden installeres.**
Hvis kompressoren startes, før kølerørene er tilsluttet, og stopventilen er åben, kan der trækkes luft ind, og trykket i kølesystemet blive unormalt højt. Dette kan få rørene til at springe eller medføre tilskadekomst.
- Monter en brystmøtrik med en momentnøgle som specificeret i denne manual.**
Hvis en brystmøtrik spændes for stramt, kan den blive ødelagt efter en lang periode og forårsage lækage af kølemiddel.
- Enheden skal installeres i overensstemmelse med internationale lovbestemmelser for elektrisk installation.**
- Jordforbind enheden korrekt.**
Forbind aldrig jordenheden til et gasrør, et vandrør, et en lynafleder eller en telefons jordledning. Forkert jordtilslutning kan give årsag til elektrisk stød.
- Husk at installere en fejlstrømsafbryder.**
Hvis der ikke er installeret en fejlstrømsafbryder, er der risiko for elektrisk stød eller brand.

⚠ FORSIGTIG (Kan medføre alvorlig personskade under særlige omstændigheder og ved forkert anvendelse.)

- Udfør afløbs/rørføringsarbejde på korrekt vis i henhold til installationsmanualen.**
Hvis dette arbejde ikke udføres korrekt, kan der dryppe vand fra enheden og beskadige evt. artikler under enheden.
- Rør ikke ved luftindtaget eller aluminiumlamellerne på udendørsenheden.**
Det kan forårsage tilskadekomst.
- Installer ikke udendørsenheden, hvor der kan leve små dyr.**
Hvis små dyr trænger ind i og rører ved de elektriske dele inde i enheden, kan det forårsage fejlfunktion, røgemission eller brand. Instruér også brugerne om at holde området omkring enheden rent.

1-2. SPECIFIKATIONER

Model	Strømforsyning *1			Ledningsspecifikationer *2		Rørlængde og højdeforske *3, *4, *5, *6, *7, *8				Udendørs Støjniveau	
	Mærkespænding	Frekvens	Afbryderkapacitet	Strømforsyning	Forbindelsesledning til indendørs-/udendørsenhed	Maks. rørlængde pr. indendørsenhed / til multisystem	Maks. højdeforskel *9	Maks. antal buk pr. indendørsenhed / til multisystem	Justering af kølevæske A *10	Afkøling	Opvarmning
MXZ-2D33VA	220-230-240 V	50 Hz	10 A	3-trådet 1,0 mm ²	4-trådet 1,0/1,5 mm ²	15 m / 20 m	10 m	15 / 20	20 g/m	49 dB(A)	50 dB(A)
MXZ-2D42VA2			15 A	3-trådet 2,0 mm ²		20 m / 30 m	15 m	20 / 30		46 dB(A)	51 dB(A)
MXZ-2D53VA(H)2											50 dB(A)

Bemærk:

Se mulige kombinationer i tabellen (servicereferencenr.).

Når indendørsenheden fra MFZ-KJ-serien forbindes med denne udendørsenhed, påfyldes yderligere kølemiddel i henhold til instruktionerne i skemaet herunder.

MXZ-2D33VA

Antal MFZ-KJ-indendørsenheder	Rørlængde (L)		Maks. mængde kølemiddel
	~ 20 m		
1 enhed	Yderligere 100 g (1250 g i alt)		1250 g
2 enheder	Ikke muligt (der kan kun tilsluttes én indendørsenhed fra MFZ-KJ-serien)		

Antal MFZ-KJ-indendørsenheder	Rørlængde (L)		Maks. mængde kølemiddel
	~ 20 m	~ 30 m	
1 enhed	Yderligere 100 g (1400 g i alt)	100 g + {(L -20) m x 20 g/m}	1600 g
2 enheder	Yderligere 200 g (1500 g i alt)	200 g + {(L -20) m x 20 g/m}	1700 g

- *1 Slut den til en stikkontakt, som har et mellemrum på 3 mm eller mere i åben tilstand, for at afbryde strømmen. (Når der er slukket for kontakten, skal alle poler være afbrudt.)
- *2 Brug ledninger i overensstemmelse med design 60245 IEC 57. Brug indendørs-/udendørs forbindelseskablet i overensstemmelse med kabelspecifikationerne i installationshåndbogen til indendørsenheden.
- *3 Brug aldrig rør med en tykkelse, der er mindre end den angivne. Trykstyrken er ikke tilstrækkelig.
- *4 Brug et kobberør eller et sømløst rør af kobberlegering.
- *5 Pas på ikke at klemme røret sammen eller bukke det i rørbøjningen.

- *6 Bøjningsradius for røret til kølevæske skal være 100 mm eller større.
- *7 Isolationsmateriale: Varmeresistent skumplast, vægtykkelse 0,045
- *8 Husk at anvende isolering af den foreskrevne tykkelse. For tykt isoleringsmateriale forhindrer korrekt installation af indendørsenheden, og for tyndt isoleringsmateriale skaber kondens.
- *9 Hvis udendørsenheden installeres højere end indendørsenheden, reduceres den maksimale højdeforskel til 10 m.
- *10 Hvis rørlængden overstiger 20 m, er yderligere kølevæske (R410A) påkrævet. (Der kræves ikke ekstra kølevæske for rørlængder under 20 m.)
Ekstra kølemiddel = A × (rørlængde (m) – 20)

1-3. VALG AF EKSTRA SAMLINGER MED FORSKELLIG DIAMETER

Hvis forbindelsesrørets diameter ikke passer til åbningsstørrelsen på udendørsenheden, bruges rørsamlinger med forskellige diametre i overensstemmelse med nedenstående tabel.

(Enhed: mm (tommer))

Åbningsstørrelse på udendørsenheden		Ekstra samlinger med forskellig diameter (åbningsstørrelse på udendørsenheden → diameter af forbindelsesrør)
MXZ-2D	Væske / gas	9,52 (3/8) → 12,7 (1/2) : MAC-A454JP-E Se installationsvejledningen for indendørsenheden vedrørende diameter af forbindelsesrøret til indendørsenheden.
A, B ENHED	6,35 (1/4) / 9,52 (3/8)	

1-4. VALG AF INSTALLATIONSSTED

- Hvor den ikke er udsat for kraftig blæst.
- Hvor luftstrømmen er god og støvfri.
- Hvor den så vidt muligt ikke udsættes for regn eller direkte sol.
- Hvor eventuelle naboer ikke generes af lyd eller varm luft fra anlægget.
- Hvor der forefindes en solid væg, der forebygger støj og vibrationer.
- Hvor der ikke er risiko for brandfarlig gasudsivning.
- Husk at fastgøre enhedens ben, når den installeres.
- Hvor der er mindst 3 m til TV- eller radioantenne. Betjeningen af klimaanlægget kan påvirke radio- og TV-modtagelsen i områder, hvor modtagelsen er svag. Det kan være nødvendigt at installere en forstærker til påvirkede apparat.
- Installer enheden i vandret stilling.
- Monter enheden på et sted, der ikke påvirkes af snefald eller snefygning. I områder med kraftigt snefald skal der monteres et tag over, en sokkel og/eller nogle skærmlader.

Bemærk:

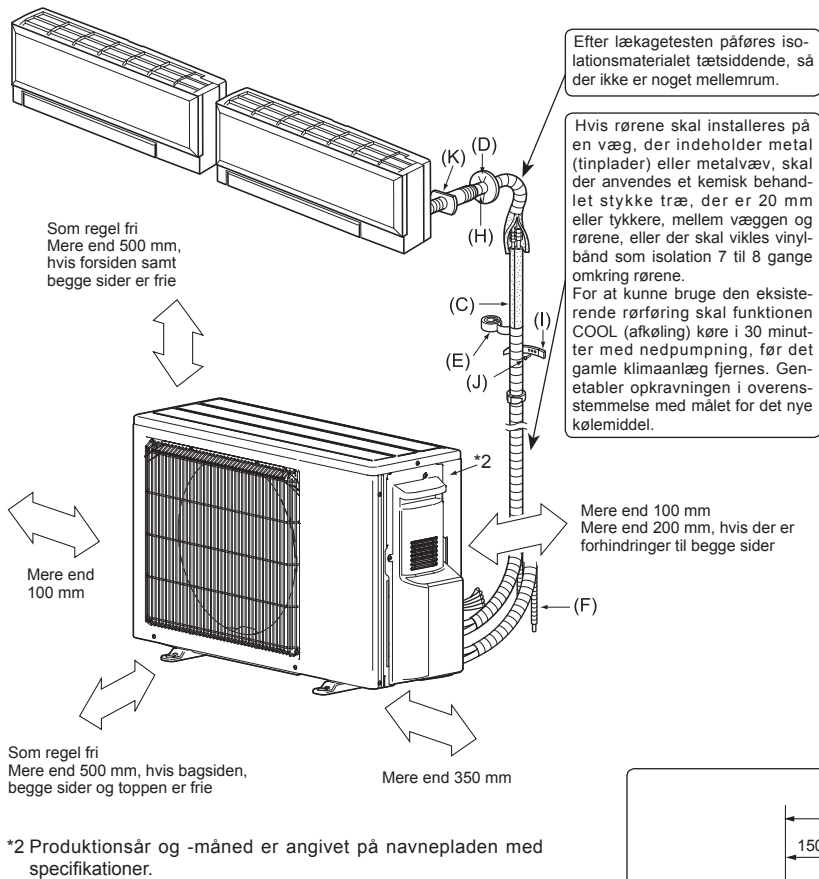
Det er tilrådeligt at udføre en rørløje i nærheden af den udendørs enhed for at reducere den vibration, der transmitteres fra denne.

Bemærk:

Følg nedenstående instruktioner, når airconditionanlægget bruges ved lave udetemperaturer.

- Udendørsenheden må aldrig monteres på et sted, hvor luftindtags-/udgangssiden er direkte udsat for blæst.
 - For at forhindre at udendørsenheden udsættes for blæst, skal den monteres med luftindtagssiden mod væggen.
 - For at forhindre at udendørsenheden udsættes for blæst, anbefales det at montere en skærmlade på luftudgangssiden.
- Undgå installation på følgende steder, hvor der nemt kan opstå problemer med klima-anlægget.
- Hvor der er risiko for udsivning af brændbar gas.
 - Hvor der er meget maskinolie.
 - Hvor olie spildes, eller hvor området er fyldt med olieholdig os eller røg (f.eks. madlavningsområder og fabrikker, hvor plastikegenskaberne kunne blive ændret og dermed beskadiget).
 - Hvor salt forekommer, f.eks. i kystområder.
 - Hvor der frembringes sulfidgas som f.eks. i områder med varme kilder.
 - Hvor der er højfrekvensapparater eller trådløse apparater.
 - Hvor der er en emission af høje niveauer af VOC, inklusive phthalatblandinger, formaldehyd, etc., som kan forårsage kemisk spaltning.

1-5. INSTALLATIONSDIAGRAM



TILBEHØR

Kontroller følgende dele før installation.

(1) Afløbsmuffe	1
-----------------	---

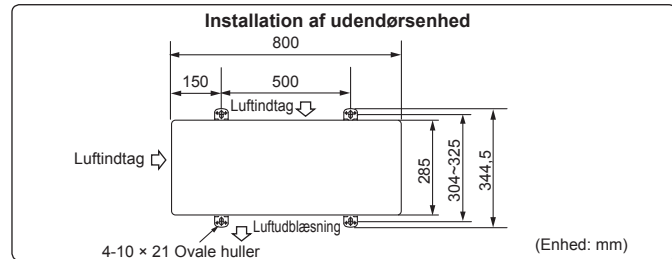
DELE, DER LEVERES LOKALT

(A) Strømforsyningskabel*1	1
(B) Forbindelsesledning til indendørs/udendørsenhed*1	1
(C) Forlængerrør	1
(D) Dæksel til væghul	1
(E) Rørtape	1
(F) Forlænger afløbsslange (eller blød PVC-slange, 15 mm indvendig diameter eller hårdt PVC-rør VP16)	1
(G) Køleolie	Lille mængde
(H) Kit	1
(I) Fastgørelsesbånd til rør	2-7
(J) Fastgørelsesskrue til (I)	2-7
(K) Manchet til væghul	1
(L) Blød PVC-slange, 15 mm indvendig diameter, eller hårdt PVC-rør VP16 til afløbsmuffe (1)	1

Bemærk:

*1 Placer forbindelsesledningen til indendørs-/udendørsenheden (B) og strømforsyningskablet (A) med mindst 1 m afstand til TV-antennens kabel.

"Antal" for (B) til (K) i ovenstående tabel er det antal, der skal bruges pr. indendørsenhed.



Klimaanlægget skal monteres af en autoriseret fagmand i henhold til de lokale bestemmelser.

1-6. AFLØBSLANGER TIL UDENDØRSENHED

Udfør kun afløbsslangearbejdet ved dræning fra ét sted.

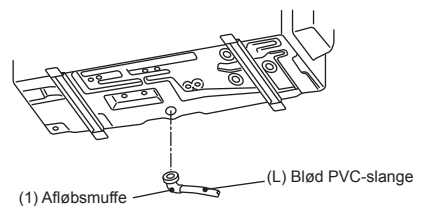
- 1) Monter afløbsslangerne, før indendørs- og udendørsenhedernes rør forbindes.
- 2) Tilslut den bløde PVC-slange (L), indvendig diameter 15 mm, som vist på illustrationen.
- 3) Monter afløbsslangerne med et fald for at opnå et hurtigt afløb.

Bemærk:

Installer enheden i vandret stilling.

Brug ikke afløbsmuffen (1) i kolde egne. Afløbet kan fryse til og få ventilatoren til at stoppe.

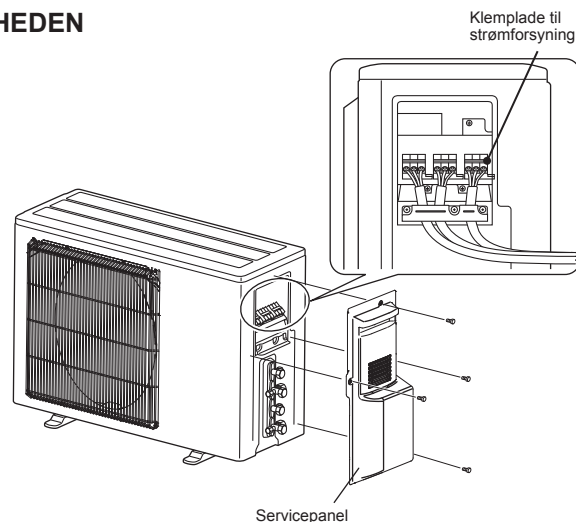
Udendørsenheden producerer kondensat under opvarmingsfunktionen. Vælg et installationssted, hvor det sikres, at udendørsenheden og/eller jorden under den ikke bliver våd af drænvand eller beskadiget af frosset drænvand.



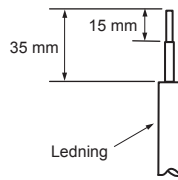
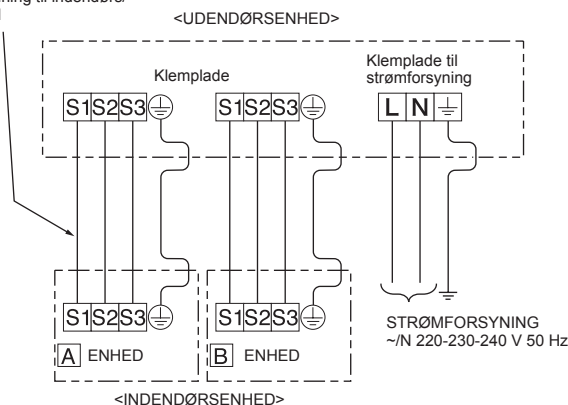
2. INSTALLATION AF UDENDØRSENHED

2-1. TILSLUTNING AF LEDNINGER TIL UDENDØRSENHEDEN

- 1) Afmonter servicepanelet.
- 2) Løsn klemmskruerne, og tilslut forbindelsesledningen til indendørs/udendørsenheden (B) fra indendørsenheden til klempladen på korrekt vis. Vær omhyggelig, så ledningsføringen ikke udføres forkert. Fastgør ledningen på klempladen, så intet af kabelkernen er synligt, og der ikke tilføres nogen ekstern kraft til klempladens forbindelsesdel.
- 3) Stram klemmskruerne godt til for at forhindre at de løsnes. Træk til sidst forsigtigt i ledningerne for at bekræfte, at de ikke går løs.
- 4) Udfør 2) og 3) for hver indendørsenhed.
- 5) Forbind strømforsyningskablet (A).
- 6) Montér forbindelsesledningen til indendørs/udendørsenheden (B) og strømforsyningskablet (A) med ledningsklemmerne.
- 7) Luk servicepanelet omhyggeligt. Kontroller, at 3-2. RØRFORBINDELSE er udført.
 - Når der er foretaget forbindelser mellem både strømforsyningskablet (A) og forbindelsesledningen til indendørs/udendørsenheden (B), skal både kabel og ledning fastgøres med ledningsklemmer.



Forbindelsesledning til indendørs/udendørsenhed



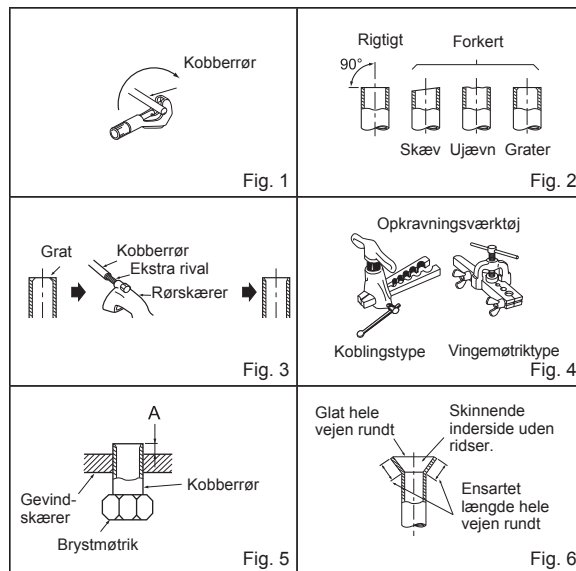
- Sørg for at montere hver skrue på dens tilsvarende klemme, når ledningen og/eller kablet fastgøres til klemkassen.
- Gør jordledningen lidt længere end de andre. (Længere end 35 mm)
- Lad ikke forbindelsesledningerne være for korte. Det gør vedligeholdelsen nemmere.

3. OPKRAVNING SARBEJDE OG TILSLUTNING AF RØR

3-1. OPKRAVNING SARBEJDE

- 1) Skær kobberøret på korrekt vis med en rørskærer. (Fig. 1, 2)
- 2) Fjern alle grater helt fra tværsnittet af røret. (Fig. 3)
 - Vend kobberøret nedad mens alle grater fjernes, for at forhindre at grater falder ned i røret.
- 3) Fjern brystmøtrikkerne, der sidder på indendørs- og udendørsenheden, og sæt dem på røret, når graterne er fjernet. (De kan ikke sættes på efter udført opkravningsarbejde.)
- 4) Opkravningsarbejde (Fig. 4, 5). Hold kobberøret i den størrelse, der er vist i skemaet. Vælg A (mm) fra skemaet i henhold til det valgte værktøj.
- 5) Kontrollér
 - Sammenlign opkravningsarbejdet med Fig. 6.
 - Hvis opkravningsarbejdet ser ud til at være forkert, skal den opkravede sektion skæres af, og arbejdet skal udføres forfra.

Rørdiameter (mm)	Møtrik (mm)	A (mm)			Spændingsmoment	
		Værktøj af koblingstypen til R410A	Værktøj af koblingstypen til R22	Værktøj af fløj møtrikstypen til R22	N•m	kgf•cm
ø6,35 (1/4")	17	0 - 0,5	1,0 - 1,5	1,5 - 2,0	13,7 - 17,7	140 - 180
ø9,52 (3/8")	22			34,3 - 41,2	350 - 420	
ø12,7 (1/2")	26			49,0 - 56,4	500 - 575	
ø15,88 (5/8")	29			73,5 - 78,4	750 - 800	



3-2. RØRFORBINDELSE

- 1) Påfør et tyndt lag køleolie (G) på rørens opkravede ender og rørtilslutningerne på udendørs enheden.
- 2) Ret rørets midte ind efter midten på rørtilslutningen på udendørs enheden, og stram brystmøtrikken 3 til 4 omdrejninger med hånden.
- 3) Tilspænd brystmøtrikken med en momentnøgle som specificeret i skemaet.
 - Overstramning kan forårsage beskadigelse af brystmøtrikken og dermed lækage af kølemiddel.
 - Sørg for at sikre isolering omkring rørene. Direkte kontakt med rørene kan medføre forbrændinger eller forfrysninger.

ADVARSEL
 Tilslut omhyggeligt rørene, før kompressoren startes, når enheden installeres.

3-3. ISOLATION OG TAPEOMVIKLING

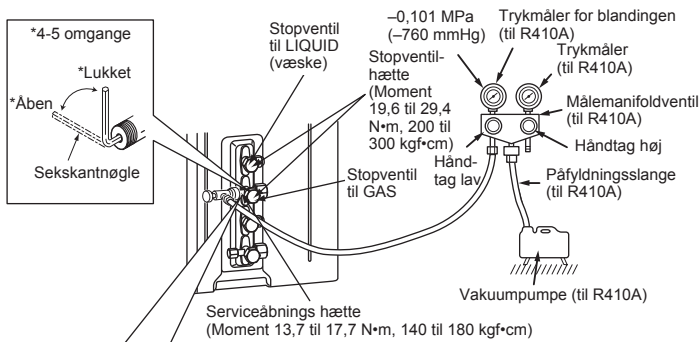
- 1) Dæk rørsamlingerne med rørbelægning.
- 2) Udendørsenhed: Isolér alle rør, inkl. ventiler, godt.
- 3) Sæt rørtape (E) på, og begynd fra udendørsenhedens indgang.
 - Fastgør enden af rørtapen (E) med tape (selvklæbende).
 - Hvis rørene skal føres over lofter, gennem skabe eller andre steder med høj temperatur og fugtighed, bør man omvikle rørene med ekstra isolationsmateriale for at forhindre kondensation.

FORSIGTIG
 Sørg for, når der er åbninger der ikke bruges, at deres møtrikker strammes forsvarligt.

4. UDLUFTNINGSPROCEDURER, LÆKAGETEST OG TESTKØRSEL

4-1. UDLUFTNINGSPROCEDURER OG LÆKAGETEST

- 1) Fjern serviceåbningshætten på stopventilen på siden af gasrøret på udendørsenheden. (Stopventilerne er helt lukkede og dækket med hætter fra starten.)
- 2) Forbind manometermanifoldventilen og vakuumpumpen til stopventilens serviceåbning på gasrørssiden på udendørsenheden.
- 3) Sæt vakuumpumpen i gang. (Udtøm i mere end 15 minutter.)
- 4) Kontroller vakuum med manometermanifoldventilen, luk derefter denne, og stop vakuumpumpen.
- 5) Gør ingenting i et par minutter. Sørg for, at manometermanifoldventilens viser forbliver i den samme stilling. Kontroller, at trykmåleren viser $-0,101$ MPa [Manometer] (-760 mmHg).
- 6) Fjern hurtigt manometermanifoldventilen fra stopventilens serviceåbning.
- 7) Åben alle stopventilerne på gasrøret og væskerøret helt. Uden fuld åbning vil effektiviteten mindskes, og der kan opstå problemer.
- 8) Se 1-2, og påfyld den anførte mængde kølemiddel, hvis det er nødvendigt. Sørg for at påfylde det flydende kølemiddel langsomt. Ellers kan kølemidlets sammensætning i systemet ændre sig og påvirke klimaanlæggets præstation.
- 9) Stram hættten på serviceåbningen for at opnå den oprindelige status.
- 10) Lækagetest



Forholdsregler ved brug af reguleringsventilen

Ved montering af reguleringsventilen på serviceåbningen, kan ventilindsatsen blive deformet eller løsne sig, hvis der bruges for højt tryk. Dette kan forårsage en gaslækage.

Ved montering af reguleringsventilen på serviceåbningen skal det kontrolleres, at ventilindsatsen er lukket, hvorefter del A kan spændes. Spænd ikke del A, og drej ikke huset, når ventilindsatsen er åben.

4-2. PÅFYLDNING AF GAS

Fyld gas på enhed.

- 1) Tilslut gaspatronen til stopventilens serviceåbning.
- 2) Tøm luften ud af røret (eller slangen) fra kølevæskencylinderen.
- 3) Påfyld den foreskrevne mængde kølevæske, mens klimaanlægget kører med afkøling.

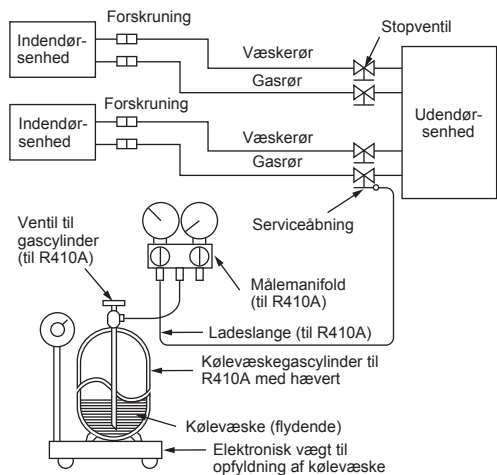
Bemærk:

Hvis der tilføjes kølemiddel, skal den mængde, der er specificeret for kølekredsløbet, overholdes.

FORSIGTIG:

Der må kun anvendes flydende kølemiddel til påfyldning af ekstra kølemiddel på kølemiddelsystemet. Ved påfyldning af kølemiddel som gas kan sammensætningen af kølemidlet i systemet blive ændret og påvirke den normale funktion af klimaanlægget. Desuden skal det flydende kølemiddel påfyldes langsomt, ellers bliver kompressoren låst.

For at cylindern til stadighed kan holde et højt tryk, skal den varmes i varmt vand (under 40°C) om vinteren. Der må aldrig anvendes åben ild eller damp.

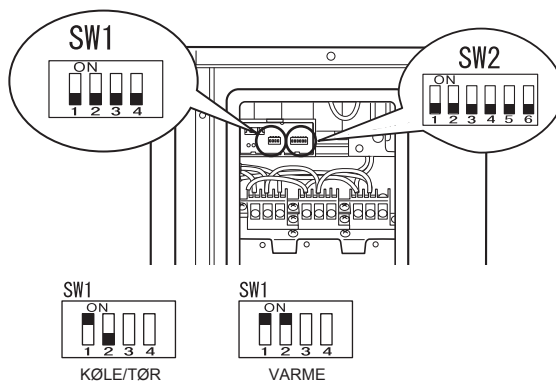


4-3. LÅSNING AF KLIMAANLÆGGETS DRIFTSMODUS (KØLE, TØR, VARME)

- Beskrivelse af funktionen:
Ved denne funktion, når driftsfunktionen er låst på enten COOL/DRY-funktion (KØLE/TØR-funktion) eller HEAT-funktion (VARME funktion), fungerer klimaanlægget kun i den funktion.
- Det er nødvendigt at ændre indstillingen for at aktivere denne funktion. Forklar kunderne denne funktion og spørg, om de ønsker at bruge den.

[Sådan låses driftsmodus]

- Sørg for at afbryde strømforsyningen til klimaanlægget, inden indstillingen foretages.
- Indstil nr. "1" på SW1 på udendørsenhedens displaykort til ON for at aktivere denne funktion.
- For at låse driftstilstanden fast i COOL/DRY-funktion (KØLE/TØR-funktion) indstilles nr. "2" på SW1 på udendørsenhedens displaykort til OFF. For at låse driftstilstanden fast i HEAT-funktion (VARME-funktion) indstilles samme dipswitch til ON.
- Tænd for strømforsyningen til klimaanlægget.

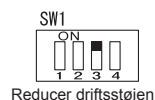


4-4. REDUKTION AF DRIFTSSTØJEN FRA UDENDØRSENHEDEN

- Beskrivelse af funktionen:
Med denne funktion kan støjen ved driften af den udendørsenhed mindskes, ved at reducere driftsbelastningen, for eksempel om natten på funktionen COOL (KØLING). Bemærk dog at køle- og varmekapaciteten kan blive mindre, hvis denne funktion aktiveres.
- Det er nødvendigt at ændre indstillingen for at aktivere denne funktion. Forklar kunderne denne funktion og spørg, om de ønsker at bruge den.

[Sådan reduceres driftsstøjen]

- Sørg for at afbryde strømforsyningen til klimaanlægget, inden indstillingen foretages.
- Indstil nr. "3" på SW1 på udendørsenhedens displaykort til ON for at aktivere denne funktion.
- Tænd for strømforsyningen til klimaanlægget.



4-5. PRØVEDRIFT

- Testkørsler af indendørsenheden skal udføres individuelt. Se installationshåndbogen, der leveres med indendørsenheden, for at kontrollere at enheden fungerer korrekt.
- Hvis testkørslen bliver udført med alle enheder samtidig, kan mulige fejlagtige forbindelser i kølerørene og indendørs-/udendørsenhedens forbindelseskabler ikke registreres. Udfør derfor altid testkørslerne en for en.

Kontroller, at følgende er udført.

- Enheden forsynes med strøm.
- Stopventilerne er åbne.

Om genstartsbeskyttelsen

Beskyttelsesenheden aktiveres, når kompressoren stopper - kompressoren kører ikke i tre minutter, og dette beskytter airconditionenheden.

4-6. FORKLARING TIL BRUGER

- Benyt BETJENINGSVEJLEDNINGEN, og forklar brugeren, hvordan klimaanlægget skal benyttes (hvordan fjernbetjeningen benyttes, hvordan luftfiltrene fjernes, hvordan fjernbetjeningen tages ud eller sættes i fjernbetjeningsholderen, hvordan rengøring udføres, forholdsregler ved drift osv.).
- Anbefal brugeren at læse BETJENINGSVEJLEDNINGEN grundigt.

5. TØMNING

Ved flytning eller bortskaffelse af klimaanlægget skal systemet tømmes ved hjælp af følgende procedure, så der ikke udledes kølemiddel til atmosfæren.

- Sluk for afbryderen.
- Forbind målermanifoldventilen til stopventilens serviceåbning på gasrørssiden af udendørsenheden.
- Luk stopventilen helt på udendørsenhedens væskerør.
- Tænd for afbryderen.
- Start nøddrift i funktionen COOL (køling) på alle indendørsenheder.
- Når trykmåleren viser 0,05 til 0 MPa [Manometer] (ca. 0,5 til 0 kgf/cm²), skal du lukke stopventilen på gasrørssiden af udendørsenheden helt og stoppe driften. (Du kan læse, hvordan man stopper driften, i manualen til installation af indendørsenheden).
 - Hvis der er fyldt for meget kølemiddel på klimaanlægget, må trykket ikke falde til 0,05 MPa [Manometer] (ca. 0,5 kgf/cm²), da beskyttelsesfunktionen så kan aktiveres pga. trykstigningen i højtrykskølemiddelkredslobet. Hvis dette sker, skal du bruge en enhed til opsamling af kølemiddel for at tømme alt kølemiddel af systemet og derefter fylde det igen med den korrekte mængde kølemiddel efter flytning af indendørs- og udendørsenhederne.
- Sluk for afbryderen. Fjern trykmåleren og rørene til kølemidlet.

⚠ ADVARSEL

Ved nedpumpning af kølemiddel skal kompressoren stoppes, før kølerørene afmonteres. Kompressoren kan revne og forårsage personskade, hvis der kommer fremmede substanser som f.eks. luft ind i rørene.

INNEHÅLL

1. FÖRE INSTALLATION	1
2. INSTALLATION AV UTMHUSENHET	4
3. FLÄNSNING OCH RÖRANSLUTNING	4
4. TÖMNINGSRUTINER, LÄCKPROV OCH TESTKÖRNING	5
5. URPUMPNING	6

Verktyg som krävs för installation

Phillips skruvmejsel	Flänsverktyg för R410A
Vattenpass	Manometer med förgreningsrör för R410A
Mätsticka	Vakuumpump för R410A
Kniv eller sax	Påfyllningsslång för R410A
Momentnyckel	Rörledningskapare med brotsch
Skiftnyckel (eller blocknyckel)	
4 mm sexkantnyckel	

1. FÖRE INSTALLATION

1-1. FÖLJANDE SKALL ALLTID IAKTTAS AV SÄKERHETSSKÄL

- Var noga med att läsa "FÖLJANDE SKALL ALLTID IAKTTAS AV SÄKERHETSSKÄL" före installation av luftkonditioneraren.
- Var noga med att iaktta de varningar och försiktighetsföreskrifter som anges här eftersom de innehåller viktig information rörande säkerheten.
- När du har läst denna anvisning ska du förvara den tillsammans med BRUKSANVISNINGEN för framtida referens.

⚠ VARNING

(Kan leda till dödsfall, allvarliga personskador, o.s.v.)

- **Installera inte enheten själv (kunden).**
En ofullständig installation kan orsaka brand, elektriska stötar, skador på grund av att enheten faller eller vattenläckage. Rådfråga den återförsäljare som sålde enheten eller en behörig installatör.
- **Utför installationen på ett säkert sätt enligt installationsanvisningen.**
En ofullständig installation kan orsaka brand, elektriska stötar, skador på grund av att enheten faller eller vattenläckage.
- **Använd lämplig skyddsutrustning och verktyg när enheten installeras.**
Du kan skadas om du inte följer dessa anvisningar.
- **Installera enheten på ett säkert sätt på ett ställe som klarar enhetens tyngd.**
Om installationsstället inte klarar av enhetens vikt kan enheten falla och orsaka skador.
- **Elektriska arbeten ska utföras av en kvalificerad och erfaren elektriker i enlighet med installationsanvisningarna. Kom ihåg att använda en särskild krets. Anslut inte andra elektriska anordningar till kretsen.**
Om spänningskapaciteten är otillräcklig eller elarbetena ofullständiga, kan detta orsaka brand eller elektriska stötar.
- **Skada inte kablarna genom att trycka överdrivet hårt på dem med delar eller skruvar.**
Skadade ledningar kan leda till brand eller elektriska stötar.
- **Var noga med att slå av huvudströmmen om du skall installera inomhuskretskortet, liksom vid ledningsdragning.**
I annat fall kan du få en elektrisk stöt.
- **Använd de angivna kablarna för att ansluta inomhus- och utomhusenheten på ett säkert sätt och fäst kablarna ordentligt i kopplingsplinten så att kablarna blir dragavlastade. Förläng inte ledningar och använd inte mellanliggande anslutningar.**
Ofullständig anslutning och fästning kan orsaka brand.
- **Installera inte enheten på en plats där lättantändlig gas kan läcka ut.**
Om gas läcker ut och ansamlas runt enheten, kan detta orsaka en explosion.
- **Använd ej mellankoppling för nätsladd eller förlängningssladd och anslut inte flera enheter till ett och samma vägguttag.**
Detta kan orsaka brand eller elektriska stötar på grund av dålig kontakt, dålig isolering, att tillfälligt ström överskrider o.s.v.
- **Använd endast medföljande eller specifikt angivna delar vid installationen.**
Om du använder felaktiga delar kan det orsaka personskada eller vattenläckage på grund av brand, elektriska stötar, att enheten faller o.s.v.
- **När du sätter i väggkontakten ska du se till att varken uttag eller kontakt innehåller damm eller lösa delar, eller är igentäppta. Kontrollera att väggkontakten sitter ordentligt inskjuten i uttaget.**
Kontakt eller uttag som innehåller damm eller lösa delar eller är igentäppta kan orsaka elstötar eller brand. Om du hittar lösa delar på kontakten ska du byta den.
- **Fäst skyddet över de elektriska delarna på inomhusenheten och servicepanelen på utomhusenheten ordentligt.**
Om skyddet över de elektriska delarna på inomhusenheten och/eller servicepanelen på utomhusenheten inte fästs ordentligt, kan detta orsaka brand eller elektriska stötar på grund av damm, vatten o.s.v.
- **Vid installation, flytt eller service av enheten, säkerställ att inget annat ämne än det specificerade köldmediet (R410A) kommer in i kylledningarna.**
Närvaron av en främmande substans som t.ex. luft kan orsaka en onormal tryckökning och leda till explosion eller skador. Användning av något annat köldmedium är det som anges för systemet kan ge upphov till mekanisk skada, fel i systemet eller att systemet slutar fungera. I värsta fall kan de leda till allvarliga problem med att säkerställa produktens säkerhet.
- **Släpp inte ut köldmedium i atmosfären. Om köldmedium läcker ut under installationen skall rummet vädras ut.**
Om köldmedium kommer i kontakt med eld kan skadliga gaser bildas. Köldmedel som läcker ut kan orsaka kvävning. Tillhandahåll ventilation enligt EN378-1.
- **Kontrollera att köldmediumgasen inte läcker ut efter att installationen har slutförts.**
Om köldmediumgas läcker ut inomhus och kommer i kontakt med lågorna i en fläktförvärmare, en rumsuppvärmare, kamin el.dyl., bildas skadliga ämnen.
- **Använd lämpliga verktyg och rörledningsmaterial vid installation.**
Trycket i R410A är 1,6 gånger högre än i R22. Fel verktyg eller material och ofullständig installation kan leda till brustna rörledningar eller skador.
- **Vid utpumpning av köldmedium ska kompressorn stoppas innan kylningsrören kopplas bort.**
Om kylningsrören kopplas bort medan kompressorn är igång och spärrventilen är öppen kan luft komma in, och trycket i kylningscykeln kan bli onormalt högt. Detta kan leda till brustna rörledningar eller skador.
- **Vid installation av enheten ska kylningsrören anslutas ordentligt innan kompressorn startas.**
Om kompressorn startas innan kylningsrören anslutits och medan spärrventilen är öppen kan luft komma in, och trycket i kylningscykeln kan bli onormalt högt. Detta kan leda till brustna rörledningar eller skador.
- **Flänsmuttrar ska dras åt med momentnyckel i enlighet med denna anvisning.**
Om dem dras åt för hårt, kan flänsmuttern gå sönder efter lång tid och orsaka läckage av köldmedium.
- **Enheten ska installeras i enlighet med nationella bestämmelser rörande ledningsdragning.**
- **Jorda enheten korrekt.**
Anslut inte jordledningen till ett gasrör, vattenrör, en åskledare eller till telefonens jordledning. Felaktig jordning kan ge upphov till elektriska stötar.
- **Installera en läckströmsbrytare.**
Om ingen läckströmsbrytare installeras finns det risk för elstötar och brand.

⚠ FÖRSIKTIGHET

(Kan orsaka allvarliga personskador vid felaktig användning i vissa miljöer.)

- **Utför dränerings-/rördragningsarbetet på ett säkert sätt enligt installationsanvisningen.**
Om något är fel i dräneringen/rördragningen kan vatten droppa från enheten, och blöta ned och skada hushållsutrustning.
- **Rör inte utomhusenhetens luftintag eller aluminiumflänsar.**
Det kan leda till skador.
- **Installera inte utomhusenheten där det kan finnas smådjur.**
Om smådjur kommer in och vidrör de elektriska delarna inne i enheten kan felfunktioner, rökutveckling eller brand uppstå. Uppmana även kunden att hålla rent på området runt enheten.

1-2. SPECIFIKATIONER

Modell	Strömtillförsel *1		Kabelspecifikationer *2		Rörlängd och höjdskillnad *3, *4, *5, *6, *7, *8				Bullernivå, Utomhus		
	Märkspänning	Frekvens	Brytar-kapacitet	Strömtillförsel	Anslutningskabel för inomhus-/utomhusenhet	Max. rörlängd per inomhusenhet / för multisystem	Max. höjdskillnad *9	Max. antal knärör per inomhusenhet / för multisystem	Anpassning av mängd köldmedium A *10	Kyla	Värme
MXZ-2D33VA	220-230-240 V	50 Hz	10 A	3-ledare 1,0 mm ²	4-ledare 1,0/1,5 mm ²	15 m / 20 m	10 m	15 / 20	20 g/m	49 dB(A)	50 dB(A)
MXZ-2D42VA2			15 A	3-ledare 2,0 mm ²		20 m / 30 m	15 m	20 / 30		46 dB(A)	51 dB(A)
MXZ-2D53VA(H)2											50 dB(A)

Obs:

Se möjliga kombinationer i tabellen (servicereferensnummer).

När du ansluter inomhusenheten i MFZ-KJ-serien till den här utomhusenheten ska du fylla på med ytterligare kylmedel enligt uppgifterna i nedanstående tabell.

MXZ-2D33VA

Antal MFZ-KJ-inomhusenheter	Rörlängd (L)		Maximal mängd kylmedel
	Ca 20 m		
1 enhet	Ytterligare 100 g (totalt 1250 g)		1250 g
2 enheter	Ej tillämpligt (endast en inomhusenhet i MFZ-KJ-serien kan anslutas)		

MXZ-2D42VA2 MXZ-2D53VA2 MXZ-2D53VAH2

Antal MFZ-KJ-inomhusenheter	Rörlängd (L)		Maximal mängd kylmedel
	Ca 20 m	Ca 30 m	
1 enhet	Ytterligare 100 g (totalt 1400 g)	100 g + {(L - 20) m x 20 g/m}	1600 g
2 enheter	Ytterligare 200 g (totalt 1500 g)	200 g + {(L - 20) m x 20 g/m}	1700 g

- *1 Anslut strömbrytare som har ett gap om 3 mm eller mer då den är öppen för att bryta källans strömfas. (När strömbrytaren slås av, måste den bryta alla faser.)
- *2 Använd kablar i enlighet med design 60245 IEC 57. Använd en anslutningskabel för inomhus-/utomhusenheter som uppfyller specifikationerna som anges i inomhusenhetens installationshandbok.
- *3 Använd aldrig rörledningar med en tjocklek som understiger specifikationen. Tryckåligheten blir otillräcklig.
- *4 Använd kopparrör eller heldragna rör av en kopparlegering.
- *5 Var försiktig så att rören inte kläms eller böjs vid rörböckning.

- *6 Böckningsradien på kylningsrören måste vara minst 100 mm.
- *7 Isoleringsmaterial : Värmebeständig skumplast, densitetstal 0,045
- *8 Tillse att isolering av angiven tjocklek används. För väl tilltagen tjocklek kan orsaka felaktig installation av inomhusenheten, och otillräcklig tjocklek kan orsaka fuktdropp.
- *9 Den maximala höjdskillnaden minskar till 10 m om utomhusenheten installeras högre upp än inomhusenheten.
- *10 Om rörlängden är längre än 20 m måste extra köldmedium (R410A) fyllas på. (Ingen extra påfyllning krävs för rörlängd som är kortare än 20 m.)
Extra köldmedel = A x (rörlängd (m) - 20)

1-3. VÄLJA KOPPLINGAR MED EN ANNAN DIAMETER

Om anslutningsrörets diameter inte motsvarar portstorleken på utomhusenheten ska du välja kopplingar med en annan diameter genom att följa tabellen nedan.

(Enhet: mm (tum))

Utomhusenhetens portstorlek		Kopplingar med annan diameter (utomhusenhetens portstorlek → anslutningsrörets diameter)
MXZ-2D	Vätska / Gas	9,52 (3/8) → 12,7 (1/2) : MAC-A454JP-E
A , B ENHET	6,35 (1/4) / 9,52 (3/8)	Information om diametern på inomhusenhetens anslutningsrör finns i inomhusenhetens bruksanvisning.

1-4. VAL AV PLATS FÖR INSTALLATIONEN

- Där den inte utsätts för kraftig vind.
- Där luftflödet är tillräckligt och fritt från damm.
- Där regn och direkt solljus kan undvikas så mycket som möjligt.
- Där grannarna inte störs av driftsjud eller varm luft.
- Där det finns en stabil vägg eller ett stabilt stöd som förhindrar förstärkning av driftsjud och vibrationer.
- Där det inte finns någon risk för att brännbara gaser läcker ut.
- Kom ihåg att fästa enhetens ben när enheten installeras.
- Minst 3 m från TV- och radioantennerna. Luftkonditioneraren kan vid drift störa radio- eller TV-mottagningen i områden med dåliga mottagningsförhållanden. En signalförstärkare kan komma att behövas för den utrustning som störs.
- Installera enheten horisontellt.
- Installera den på en plats som ej utsätts för snö. I områden där det förekommer snöfall, sätt upp en markis, en sockel och/eller några baf-felbrädor.

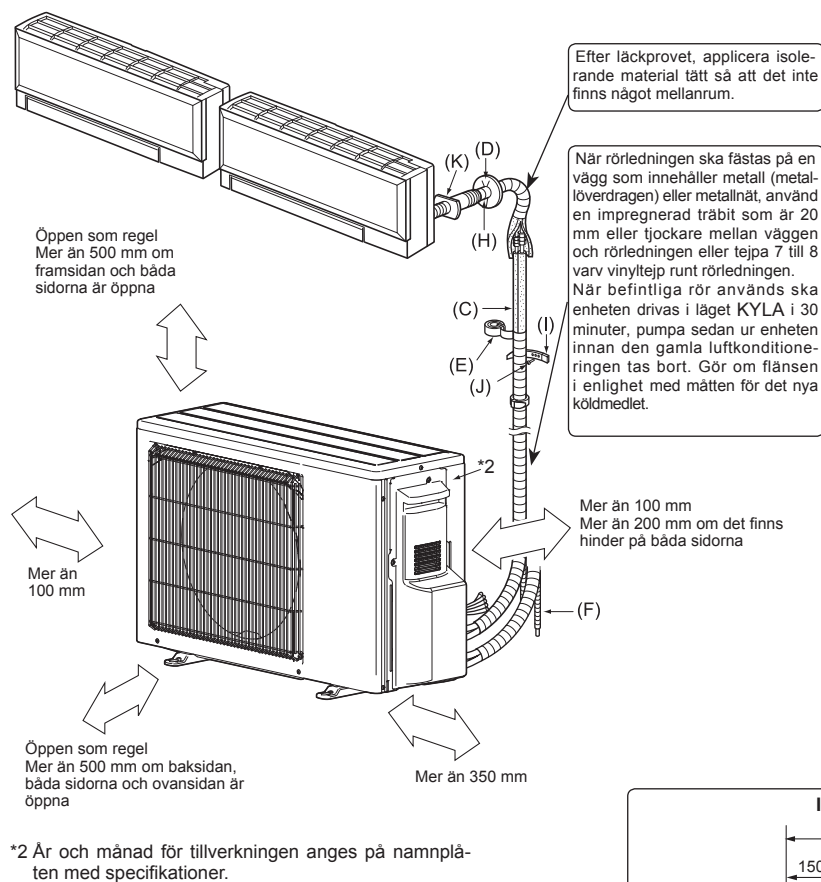
Obs:

Det rekommenderas att man gör en rörledningsögla nära utomhusenheten för att minimera vibrationerna från denna.

Obs:

- När luftkonditioneraren används vid låg utomhustemperatur, se till att följa anvisningarna nedan.
- Installera aldrig utomhusenheten på en plats där dess luftintags-/luftutsläppssida kan utsättas direkt för vind.
 - För att förhindra att den utsätts för vind, installera utomhusenheten med luftintagssidan mot väggen.
 - För att förhindra att den utsätts för vind rekommenderas att en baf-felbräda installeras på utomhusenhetens luftutsläppssida.
- Undvik att installera luftkonditioneraren på följande platser, där det finns risk att det uppstår problem.
- Där brandfarliga gaser kan läcka ut.
 - På platser med mycket maskinolja.
 - Där olja kan stänka eller oljig rök finns i luften (t.ex. i kök eller fabriker, där plastens egenskaper kan förändras eller skadas).
 - Saltbemängda omgivningar som t.ex. havsstränder.
 - Där sulfidgas bildas, som t.ex. vid heta källor.
 - Där det finns högfrequensutrustning eller trådlös utrustning.
 - Där det finns höga emissionsnivåer av VOC:er, inklusive fäalatsammansättningar, formaldehyd osv., som kan orsaka kemisk sprickbildning.

1-5. INSTALLATIONSDIAGRAM



TILLBEHÖR

Kontrollera följande delar innan de installeras:

(1)	Dräneringsanslutning	1
-----	----------------------	---

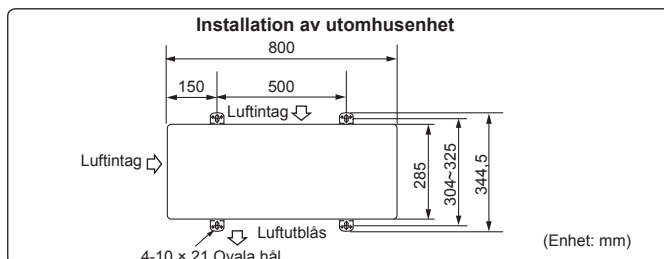
DELAR SOM SKA FINNAS TILL HANDS PÅ PLATSEN

(A)	Nätsladd*1	1
(B)	Anslutningskabel för inomhus- och utomhusenhet*1	1
(C)	Förlängningsrör	1
(D)	Kåpa för hål i vägg	1
(E)	Rörtejp	1
(F)	Förlängning för dräneringsslang (eller mjuk PVC-slang, 15 mm innerdiameter eller hårt PVC-rör VP16)	1
(G)	Kyloolja	Liten mängd
(H)	Spackel	1
(I)	Rörfästband	2 till 7
(J)	Fästskruv för (I)	2 till 7
(K)	Muff för hål i vägg	1
(L)	Mjuk PVC-slang, 15 mm innerdiameter eller hårt PVC-rör VP16 för dräneringsanslutning (1)	1

Obs:

*1 Fäst inom- och utomhusenhetens anslutningskabel (B) och nätsladden (A) minst 1 m bort från kablar för tv-antennar.

"Ant." för (B) till (K) i tabellen ovan är det antal som används per inomhusenhet.



Enheter ska installeras av en behörig installatör i enlighet med lokala föreskrifter.

1-6. DRÄNERINGSRÖR FÖR UTOMHUSENHET

Dra enbart dräneringsrör när dräneringen sker från en plats.

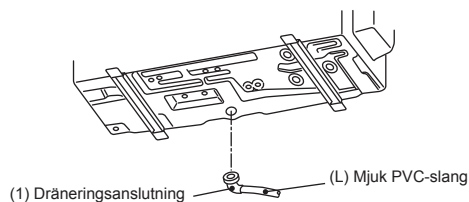
- 1) Montera dräneringsrör innan röranslutningar görs för inomhus- och utomhusenheter.
- 2) Anslut den mjuka PVC-slangen (L) i.D. 15 mm så som visas på bilden.
- 3) Se till att dräneringsröret lutar nedåt så att vattnet kan rinna ut obehindrat.

Obs:

Installera enheten horisontellt.

Använd inte dräneringsanslutningen (1) i kalla områden. Dräneringsrören kan frysa och göra så att fläkten stannar.

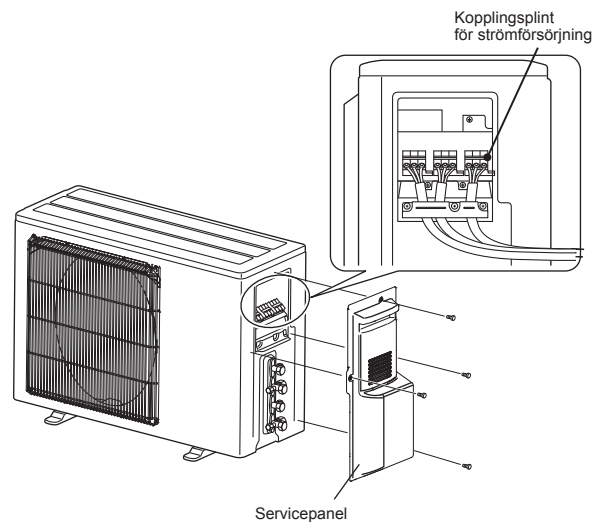
Utomhusenheten producerar kondensat under uppvärmningen. Välj en installationsplats där utomhusenheten och/eller marken inte kan blötas ned av dräneringsvattnet eller skadas av fruset dräneringsvatten.



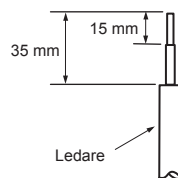
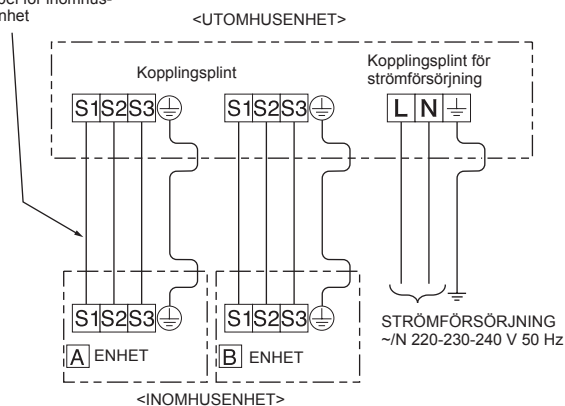
2. INSTALLATION AV UTMOHUSENHET

2-1. ANSLUTA UTMOHUSENHETENS LEDNINGAR

- 1) Ta bort servicepanelen.
- 2) Lossa kopplingskruven och anslut anslutningskabeln (B) för inom- och utomhusenheten från inomhusenheten på kopplingsplinten på rätt sätt. Se till att sladdarna inte ansluts på felaktigt sätt. Fäst kabeln i kopplingsplinten ordentligt så att ingen del av kärnan visas och ingen yttre kraft överförs till den anslutande delen på kopplingsplinten.
- 3) Dra åt kopplingskruvarna ordentligt så att de inte lossnar. Efter åtdragningen, dra lätt i kablarna för att kontrollera att de inte rör sig.
- 4) Utför 2) och 3) för varje inomhusenhet.
- 5) Anslut nätsladden (A).
- 6) Fäst inom- och utomhusenhetens anslutningskabel (B) och nätsladden (A) med kabelklämmorna.
- 7) Stäng servicepanelen ordentligt. Kontrollera att 3-2. RÖRANSLUTNING har slutförts.
 - Se till att kabeln och sladden fästs med kabelklämmorna när anslutningarna mellan nätsladden (A) och inom- och utomhusenhetens anslutningskabel (B) är klara.



Anslutningskabel för inomhus- och utomhusenhet



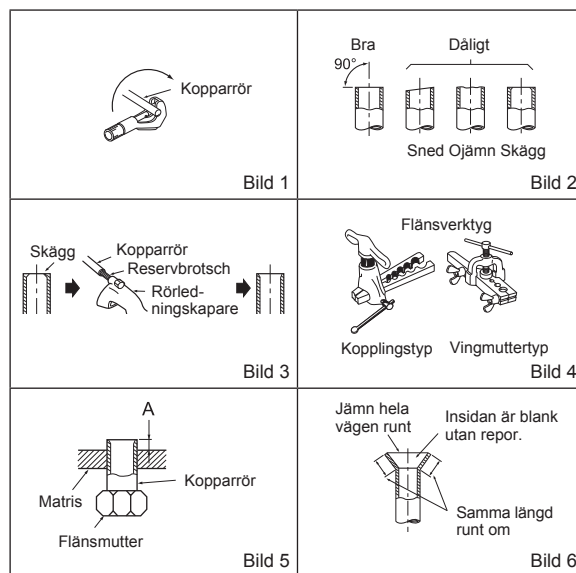
- Kom ihåg att fästa skruvarna i motsvarande uttag när sladdar och/eller kablar ansluts till kopplingsplinten.
- Gör jordledningen lite längre än de övriga. (Mer än 35 mm)
- Gör anslutningskablarna extra långa för framtida underhåll.

3. FLÄNSNING OCH RÖRANSLUTNING

3-1. UPPLÄNSNINGSPÅRBEJTE

- 1) Skär av kopparledningen med en rörledningskapare. (Bild 1, 2)
- 2) Ta bort allt skägg från de avskurna delarna. (Bild 3)
 - Rikta kopparröret nedåt när skägg avlägsnas för att förhindra att skägg trillar ned i röret.
- 3) Avlägsna flämsmuttrarna från inomhus- och utomhusenheterna och sätt dem på ledningen när du har tagit bort skägget. (Det går inte att sätta på dem efter upplänsningsarbetet.)
- 4) Upplänsningsarbete (Bild 4, 5). Håll fast kopparröret i den dimension som visas i tabellen. Välj A mm från tabellen enligt verktyget du använder.
- 5) Kontroll
 - Jämför upplänsningen med Bild 6.
 - Om upplänsningen tycks vara felaktig, skär av den flänsade delen och utför upplänsningen igen.

Rördiameter (mm)	Mutter (mm)	A (mm)			Åtdragningsmoment	
		Kopplingsverktyg för R410A	Kopplingsverktyg för R22	Vingmutterverktyg R22	N•m	kg•cm
ø6,35 (1/4")	17	0 - 0,5	1,0 - 1,5	1,5 - 2,0	13,7 - 17,7	140 - 180
ø9,52 (3/8")	22			34,3 - 41,2	350 - 420	
ø12,7 (1/2")	26			2,0 - 2,5	49,0 - 56,4	500 - 575
ø15,88 (5/8")	29				73,5 - 78,4	750 - 800



3-2. RÖRANSLUTNING

- 1) Stryk på ett tunt lager kylmedelolja (G) på de flänsade ändarna av rören och röranslutningarna på utomhusenheten.
- 2) Rikta in mitten på röret med röranslutningarna på utomhusenheten och dra åt flänsmuttern för hand 3 till 4 varv.
- 3) Dra åt flänsmuttern med en momentnyckel enligt vad som anges i tabellen.
 - Flänsmuttern kan skadas vilket gör att kylmedel läcker om muttern dras åt för mycket.
 - Kom ihåg att linda isolering runt rörledningarna. Direktkontakt med bara rör kan leda till bränn- eller köldskador.

⚠ VARNING

Vid installation av enheten ska kylningsrören anslutas ordentligt innan kompressorn startas.

⚠ FÖRSIKTIGHET

Om det finns portar som inte används ska du kontrollera att deras muttrar är ordentligt åtdragna.

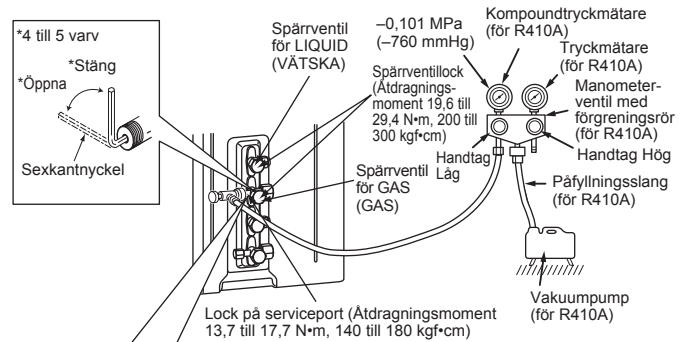
3-3. ISOLERING OCH TEJPNING

- 1) Täck över anslutningar med rörskydd.
- 2) På utomhussidan skall alla rör isoleras inklusive ventiler.
- 3) Använd röртеjp (E) och lägg på tejp från ingången på utomhusenheten.
 - Sluta tejp vid änden på röртеjp (E) (med limdel kvar).
 - Om rören måste dras ovanför innertaket, i garderob eller andra platser där temperaturen och fuktigheten är hög, ska du linda extra isolering som finns tillgänglig i handeln runt rören för att förhindra kondensation.

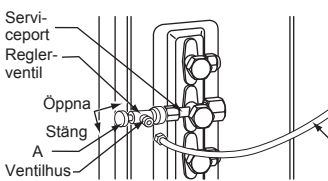
4. TÖMNINGSRUTINER, LÄCKPROV OCH TESTKÖRNING

4-1. TÖMNINGSRUTINER OCH LÄCKPROV

- 1) Ta bort locket på serviceporten på spärrventilsidan av utomhusenhetens gasrör. (Spärrventilerna är helt stängda och täckta med kåpor i ursprungligt skick.)
- 2) Anslut ingasmanometerventilen och vakuumpumpen till spärrventilens serviceport på utomhusenhetens gasrörssida.
- 3) Kör vakuumpumpen. (Vakuumisera i mer än 15 minuter.)
- 4) Kontrollera vakuum med ingasmanometerventilen, stäng sedan ingasmanometerventilen och stoppa vakuumpumpen.
- 5) Lämna det som det är under en eller två minuter. Se till att pilen på förgreningsrörets manometerventil står kvar i samma läge. Kontrollera att tryckmätaren visar $-0,101$ MPa [Mätare] (-760 mmHg).
- 6) Avlägsna snabbt ingasmanometerventilen från serviceporten på spärrventilen.
- 7) Öppna alla spärrventiler på gasröret och vätskeröret helt. Om du kör apparaten utan att öppna dem helt sänker det prestandan och orsakar problem.
- 8) Se 1-2. och fyll på föreskriven köldmediemängd vid behov. Fyll på flytande köldmedium långsamt. Annars kan köldmedieblandningen i systemet förändras och påverka luftkonditionerarens prestanda.
- 9) Dra åt locket på serviceporten får att återställa grundstatus.
- 10) Läckprov



Försiktighetsåtgärder vid användning av reglerventilen



Vid anslutning av reglerventilen till serviceporten kan ventilinsatsen deformeras eller lossna om för högt tryck ansätts. Detta kan orsaka gasläckage.

Vid anslutning av reglerventilen till serviceporten, se till att ventilinsatsen är i stängt läge och dra sedan åt del A. Dra inte åt del A eller vrid inte ventilhuset när ventilinsatsen är i öppet läge.

4-2. GASLADDNING

Ladda enhet.

- 1) Anslut gascylindern till underhålls-ingången på spärrventilen.
- 2) Avlufta röret (eller slangen) från kylgascylindern.
- 3) Fyll på specificerad mängd kylmedel medan luftkonditioneringsapparaten körs i kylfunktion.

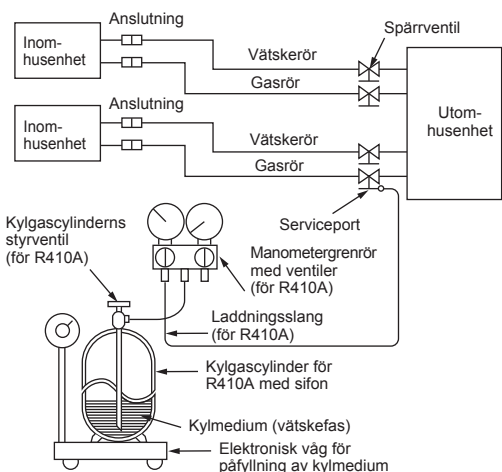
Observera:

När kylmedel tillsätts ska specificerade mängd tillsättas för varje kylningcykel.

FÖRSIKTIGHET:

Använd flytande kylmedel när kylmedel fylls på i kylsystemet. Om kylmedel i gasform fylls på kan sammansättningen för kylmedlet i systemet ändras vilket kan påverka luftkonditioneringsens normala funktion. Se även till att fylla på köldmedium långsamt, i annat fall kan kompressorn läsas.

Värm cylindern i varmt vatten (under 40°C) när det är kallt för att bibehålla ett högt tryck i cylindern. Värm den dock aldrig under öppen låga eller med ånga.

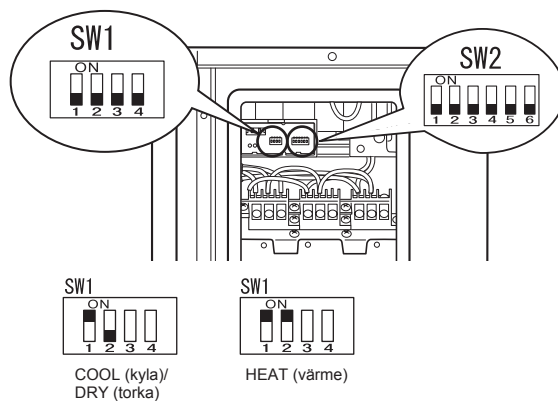


4-3. LÅSNING AV LUFTKONDITIONERARENS DRIFTLÄGE (COOL, DRY, HEAT)

- Beskrivning av funktionen:
Med den här funktionen kan driftläget spärras i läget COOL (KYLA)/DRY (TORKA) eller HEAT (VÄRME) så att luftkonditioneringen bara fungerar i det läget.
- * Inställningen måste ändras för att aktivera funktionen. Förklara denna funktion för kunden och fråga dem om de önskar att begagna sig av den.

[Hur låsning av driftläge ska utföras]

- Säkerställ att luftkonditionerarens huvudström är frånslagen innan inställningen görs.
- Aktivera funktionen genom att ställa in "1" på SW1 på utomhusenhetens displaykort på ON (PÅ).
- Ställ in "2" på SW1 på utomhusenhetens displaykort på OFF (AV) om du vill spärra driften i läget COOL/DRY (KYLA/TORKA). Ställ in bygeln på ON (PÅ) om du vill spärra driften i läget HEAT (VÄRME).
- Sätt på huvudströmmen till luftkonditioneraren.

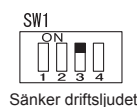


4-4. SÄNKNING AV UTMOMHUSENHETENS LJUD VID DRIFT

- Beskrivning av funktionen:
Med den här funktionen kan driftljudet från utomhusenheten sänkas genom att belastningen minskas, t.ex. på natten i läget COOL (KYLA). Observera dock att nedkylnings- och uppvärmningskapaciteten kan sänkas när funktionen är aktiverad.
- * Inställningen måste ändras för att aktivera funktionen. Förklara denna funktion för kunden och fråga dem om de önskar att begagna sig av den.

[Att sänka utomhusenhetens driftljud]

- Säkerställ att luftkonditionerarens huvudström är frånslagen innan inställningen görs.
- Aktivera funktionen genom att ställa in "3" på SW1 på utomhusenhetens displaykort på ON (PÅ).
- Sätt på huvudströmmen till luftkonditioneraren.



4-5. TESTKÖRNING

- Testkör inomhusenheterna individuellt. Se installationsanvisningen som medföljer inomhusenheten och kontrollera att alla enheter fungerar som de ska.
- Om alla enheter testkörs samtidigt går det inte att upptäcka eventuella felaktiga anslutningar i köldmedelsrör och anslutningskablar för inom- och utomhusenheterna. Därför är det bäst att testköra en enhet i taget.

Kontrollera följande.

- Ström matas till enheten.
- Spärrventilerna är öppna.

Om omstartskyddet

Skyddsensheten aktiveras när kompressorn stannar - kompressorn körs inte under tre minuter, och detta skyddar luftkonditioneringsenheten.

4-6. FÖRKLARING TILL KUNDEN

- Använd BRUKSANVISNINGEN och förklara för kunden hur man använder luftkonditioneraren (hur man använder fjärrkontrollen, hur man tar bort luftfiltren, hur man tar bort eller sätter dit fjärrkontrollen i fjärrkontrollhållaren, hur man rengör, försiktighetsåtgärder vid drift o.s.v.).
- Rekommendera kunden att noggrant läsa igenom BRUKSANVISNINGEN.

5. URPUMPNING

Vid omplacering eller avyttrande av luftkonditioneraren ska du följa nedanstående anvisningar för att pumpa ur systemet så att inte köldmedium släpps ut i atmosfären.

- Stäng av brytaren.
- Anslut manometerventilen med förgreningsrör till spärrventilens serviceport på utomhusenhetens gasrörssida.
- Stäng spärrventilen helt på utomhusenhetens vätskerörssida.
- Sätt på brytaren.
- Starta nödfallsdrift i läget COOL (KYLA) på alla inomhusenheter.
- Stäng spärrventilen helt på utomhusenhetens gasrörssida och avbryt driften när tryckmätaren visar 0,05–0 MPa [Mätare] (ca 0,5–0 kgf/cm²). (Se installationsanvisningen som medföljer inomhusenheten för instruktioner om att avbryta driften.)
 - * Om för mycket köldmedium har fyllts på i luftkonditioneraren kan det hända att trycket inte kan sjunka till 0,05 MPa [Mätare] (ca 0,5 kgf/cm²), eller att skyddsfunktionen aktiveras på grund av tryckförhöjningen i högtrycksdelen i kylkretsen. Om detta inträffar använder du en uppsamlingsenhet för att tappa ur allt köldmedium från systemet. Fyll sedan på med rätt mängd köldmedium efter att inom- och utomhusenheterna har placerats om.
- Stäng av brytaren. Avlägsna tryckmätaren och kylningsrören.

⚠ VARNING

Vid utpumpning av köldmedium ska kompressorn stoppas innan kylningsrören kopplas bort. Kompressorn kan spricka och orsaka personskador om en främmande substans, t.ex. luft, tränger in i rören.

İÇİNDEKİLER

1. TESİS ETME İŞLEMİNDEN ÖNCE	1
2. DIŞ ÜNİTENİN TESİSATI.....	4
3. DIŞ AÇMA İŞİ VE BORU BAĞLAMA	4
4. TEMİZLEME PROSEDÜRLERİ, SIZINTI TESTİ VE TEST ÇALIŞTIRMASI.....	5
5. DIŞARI POMPALAMA.....	6

Tesis Etme İşlemi İçin Gerekli Aletler

Yıldız tornavida	4 mm altı köşeli anahtar
Seviye	R410A için geçmeli alet
Ölçek	R410A için manometre mani- foldu
Bıçak ya da makas	R410A için vakum pompası
Tork anahtarı	R410A için doldurma hortumu
Anahtar (ya da somun anahtarı)	Raybalı boru kesici

1. TESİS ETME İŞLEMİNDEN ÖNCE

1-1. VERİLEN BİLGİLER GÜVENLİK İÇİN DİKKATLE GÖZDEN GEÇİRİLMELİDİR

- Klima cihazını tesis etmeden önce "VERİLEN BİLGİLER GÜVENLİK İÇİN DİKKATLE GÖZDEN GEÇİRİLMELİDİR" kısmını dikkatlice okuyunuz.
- Güvenliğinizle çok yakından ilgili olmalısınız dolayısı uyarı ve dikkat kısımlarını gözden geçirin.
- Bu kılavuzu okuduktan sonra daha sonra başvurmak üzere ÇALIŞTIRMA TALİMATLARIYLA birlikte saklayınız.

⚠ UYARI (Ölüm veya ağır yaralanma uyarısını gösterir.)

- Üniteyi kendiniz (satın alıcı) tesis etmeyiniz.**
Eksik kurulum, ünitenin düşmesi veya su sızıntısı nedeniyle yangın, elektrik şoku veya yaralanmaya neden olabilir. Klimayı satın aldığınız bayiye veya yetkili bir tesisatçıya başvurunuz.
- Tesis etme işlemini yaparken tesis etme kılavuzuna başvurunuz.**
Eksik kurulum, ünitenin düşmesi veya su sızıntısı nedeniyle yangın, elektrik şoku veya yaralanmaya neden olabilir.
- Üniteyi monte ederken, güvenlik için uygun koruyucu ekipman ve aletleri kullanın.**
Bunun yapılmaması yaralanmaya sebebiyet verebilir.
- Üniteyi, ünitenin ağırlığını taşıyabilecek sağlam yapıya yerlere tesis ediniz.**
Ünitenin tesis edileceği yer ünitenin ağırlığını taşıyamıyorsa, ünite düşebilir ve yaralanmaya neden olabilir.
- Elektrikle ilgili çalışmaların montaj kılavuzuna göre kalifiye ve deneyimli bir elektrikçi tarafından yapılması gerekir. Özel bir devre kullandığınızdan emin olun. Devreye başka elektrikli cihaz bağlamayınız.**
Devrenin kapasitesi yetmiyorsa veya elektrikle ilgili çalışmalarda bir hata varsa bu yangına veya elektrik çarpmasına sebep olabilir.
- Parçalar veya vidalarla aşırı basınç uygulayarak kabloları zarar vermeyin.**
Hasarlı kablolar yangın ya da elektrik çarpmasına neden olabilir.
- Eğer iç ünite P.C. panosu ya da kablo şebekesi kuruyorsanız, elektrikli ana şalterden kapatınız.**
Aksi halde elektrik çarparabilir.
- İç ve dış ünite kablo bağlantılarını güvenli şekilde yapmak için belirtilen kablo tiplerini kullanın ve kablo uçlarını olabilecek durumlarda yuvalarından çıkarmaları için terminal yatağındaki yerlerine sıkıca bağlayınız. Kabloları uzatmayın veya ara bağlantı kullanmayın.**
Hatalı bağlantılar ve sabitleme yangına sebep olabilir.
- Üniteyi yanıcı gaz sızıntısı olabilecek yerlere tesis etmeyiniz.**
Sızan gazların klima etrafında toplanması sonucunda bir patlama meydana gelebilir.
- Güç kablosunu orta yerinden kesip uzatma yapmayınız veya uzatma kablosu kullanmayınız ya da aynı AC çıkışında birden fazla cihaz kullanmayınız.**
Hatalı bağlantı ve hatalı izolasyon sonucu voltajın düşmesi veya artması ile yangın veya elektrik çarpması meydana gelebilir.
- Klimanın tesisi sırasında verilen veya belirtilen parçaları kullandığınızdan emin olunuz.**
Yanlış parça kullanma sonucunda su sızıntısı, yangın, elektrik çarpması, ünitenin düşmesi sonucu yaralanma gibi sonuçlar doğabilir.
- Güç kaynağını prize takarken fiş ve prize toz, tıkanma ya da gevşek parça olmamasına dikkat ediniz. Güç kaynağı fişinin prize girdiğinden emin olunuz.**
Güç kaynağı fişinde ya da prize toz, tıkanma ya da gevşek parça olması durumunda elektrik çarparabilir ya da yangın çıkabilir. Güç kaynağı fişinde gevşek parça varsa, fişi değiştirin.
- İç ünitenin elektrik devre kapağını takınız ve dış ünitenin servis kapağını sıkıca kapatınız.**
İç ünitenin elektrik devre kapağının veya dış ünitenin servis kapağının sıkıca kapatılmadığı durumlarda toz ve su gibi maddeler sebebi ile yangın veya elektrik çarpmaları meydana gelebilir.
- Üniteyi kurarken, konumunu değiştirirken ya da bakımını yaparken soğutucu devresine belirtilen soğutucudan (R410A) başka bir maddede girmemesine dikkat ediniz.**
Hava gibi yabancı maddelerin bulunması, normal olmayan basınç artışına neden olabilir ve patlama ya da yaralanmaya neden olabilir. Sistemde belirtilen haricinde soğutma sıvılarının kullanılması mekanik arızaya, sistem anzasına ya da ünitenin bozulmasına neden olacaktır. En kötüsü ise, bu durum ürün güvenliğinin sağlanmasına ciddi şekilde zarar verecektir.
- Soğutucuyu atmosfere boşaltmayın. Tesis etme işlemi sırasında soğutucu gaz sızıntı yaparsa, odayı havalandırın.**
Soğutucu gaz ateşle temas ederse zararlı gazlar çıkabilir. Soğutma sıvısı kaçağı boğulmaya neden olabilir. EN378-1 ile uyumlu şekilde havalandırma sağlayın.
- Tesis etme işlemi bittikten sonra soğutucu gaz sızıntısı olup olmadığını kontrol ediniz.**
Eğer soğutucu gaz iç mekana sızarsa ve fanlı bir ısıtıcının, elektrikli bir ısıtıcının, vb. ateşi ile temas ederse zararlı gazlar oluşur.
- Tesis etme işleminde uygun aletler ve boruları kullanınız.**
R410A'nın basıncı R22'ye göre 1,6 kez daha fazladır. Uygun aletleri ya da malzemeleri kullanmıyorsanız ve tesis etme işlemi tamamlanmamışsa borular patlayabilir ya da yaralanma meydana gelebilir.
- Soğutucu gazı pompalarken, soğutucu borularını sökmeden önce kompresörü durdurun.**
Soğutucu gaz boruları kompresör çalışırken ve kesme vanası açıkken sökülürse, hava içeriye girebilir ve soğutma döngüsü içindeki hava anormal derecede yükselebilir. Bu boruların patlamasına ya da yaralanma meydana gelebilir.
- Üniteyi tesis ederken, soğutucu borularını kompresörü çalıştırmadan önce sağlam şekilde bağlayınız.**
Kompresör soğutucu gaz boruları bağlanmadan önce ve kesme vanası açıkken çalıştırılırsa, hava içeriye girebilir ve soğutma döngüsü içindeki hava anormal derecede yükselebilir. Bu boruların patlamasına ya da yaralanma meydana gelebilir.
- Bu el kitabında belirtildiği gibi rondelalı somunu tork anahtarı ile sıkıştırın.**
Aşırı sıkıştırılırsa rondelalı somun uzun bir süre sonra kırılabilir ve soğutma sıvısı kaçağına yol açabilir.
- Cihazın takılması ulusal elektrik tesisatı yönetmeliklerine uygun olarak yapılmalıdır.**
- Üniteyi doğru biçimde topraklayın.**
Topraklama kablosunu doğal gaz borusuna, su borusuna, paratonere veya yeraltı telefon hattına bağlamayınız. Hatalı topraklama elektrik çarpmasına sebep olabilir.
- Mutlaka bir toprak kaçağı sigortası takın.**
Toprak kaçağı sigortasının takılmaması elektrik çarpması ya da yangına neden olabilir.

⚠ DİKKAT (Cihaz doğru çalıştırılmadığında ciddi yaralanmalara sebep olacak uyarıları gösterir.)

- Pis su ve diğer boru tesisi işini kılavuza göre emniyetli bir şekilde yapınız.**
Pis su ve diğer boru tesisi işleminde bir hata yapılması üniteden su damlaması sonucu etrafta bulunan eşyaların zarar görmesine sebep olur.
- Dış ünitenin hava girişine ya da alüminyum kanatçıklarına dokunmayınız.**
Aksi halde yaralanabilirsiniz.
- Dış üniteyi küçük hayvanların yaşadığı yerlere monte etmeyiniz.**
Ünitenin içindeki elektrikli parçalara küçük hayvanlar girerse ve dokunursa, arıza oluşabilir, duman yayılabilir ya da yangın çıkabilir. Ayrıca, kullanıcıya ünitenin etrafını temiz tutmalarını belirtiniz.

1-2. SPESİFİKASYONLAR

Model	Güç kaynağı *1		Kablo spesifikasyonları *2		Borunun uzunluk ve yükseklik farkı *3, *4, *5, *6, *7, *8			Dış Gürültü seviyesi		
	Tahmini Voltaj	Fre-kans	Güç kaynağı	İç ünite/dış ünite bağlantı kablosu	İç ünite başına maksimum boru uzunluğu / çoklu sistem için	Maks. yükseklik farkı *9	İç ünite başına maksimum dirsek sayısı / çoklu sistem için	Soğutucu ayarı A *10	Soğutma	Isıtma
MXZ-2D33VA	220-230-240 V	50 Hz	10 A	3-merkezli 1,0 mm ²	15 m / 20 m	10 m	15 / 20	20 g/m	49 dB(A)	50 dB(A)
MXZ-2D42VA2			15 A	3-merkezli 2,0 mm ²	20 m / 30 m	15 m	20 / 30		46 dB(A)	51 dB(A)
MXZ-2D53VA(H)2										50 dB(A)

Not:

Mümkün olan kombinasyonlar için aşağıdaki şemaya bakınız (servis referans numarası).

MFZ-KJ serisi iç üniteyi bu dış üniteye bağlarken, aşağıdaki tablodaki talimatlara göre ilave soğutucu doldurun.

MXZ-2D33VA

MFZ-KJ iç ünitelerinin sayısı	Boru uzunluğu (U)		Maksimum soğutucu miktarı
	~ 20 m		
1 ünite	100 g ek (Toplam 1250 g)		1250 g
2 ünite	Mevcut değil (Sadece bir MFZ-KJ serisi iç ünite bağlanabilir.)		

MXZ-2D42VA2 MXZ-2D53VA2 MXZ-2D53VAH2

MFZ-KJ iç ünitelerinin sayısı	Boru uzunluğu (U)		Maksimum soğutucu miktarı
	~ 20 m	~ 30 m	
1 ünite	100 g ek (Toplam 1400 g)	100 g + {(L -20) m x 20 g/m}	1600 g
2 ünite	200 g ek (Toplam 1500 g)	200 g + {(L -20) m x 20 g/m}	1700 g

*1 Güç kaynağı fazını kesmek için açıldığında en az 3 mm aralığı olan bir elektrik şalterine bağlayın. (Elektrik şalteri kapatıldığı zaman tüm fazları kesmelidir.)

*2 60245 IEC 57 tasarımı ile uyumlu kablolar kullanın. İç mekan/dış mekan bağlantı kablosunu, iç mekan ünitesinin montaj kılavuzunda belirtilen kablo teknik özelliklerine uygun şekilde kullanın.

*3 Belirtilen değerden daha düşük kalınlıkta boru kullanmayınız. Basınç direnci yetersiz kalır.

*4 Bakır ya da bakır alaşımı eksiz bir boru kullanınız.

*5 Boruları bükerken boruyu ezmemeye veya eğmemeye dikkat ediniz.

*6 Soğutma borusu eğilme yarıçapı 100 mm veya daha fazla olmalıdır.

*7 İzolasyon malzemesi: Isıya dayanıklı köpüklü plastik. 0,045 özgül ağırlık

*8 İzolasyonu belirtilen kalınlıkta yapmaya dikkat edin. Aşırı kalın izolasyon iç ünitenin yanlış montajına, kalınlığın az olması ise çığlınmaya sebep olabilir.

*9 Dış mekan ünitesi iç mekan ünitesinden daha yükseğe monte edilirse, maksimum yükseklik farkı 10 m.'ye düşer.

*10 Boru uzunluğu 20 metreyi geçtiğinde, ek soğutma maddesine (R410A) ihtiyaç vardır. (20m'den kısa boru uzunluğu için ilave ücret alınmaz.)
Ek soğutucu = A × (boru uzunluğu (m) – 20)

1-3. İSTEĞE BAĞLI FARKLI ÇAPTAKİ EK PARÇALARIN SEÇİLMESİ

Bağlantı borusunun çapı dış ünite bağlantı deliğinin boyutuna uymuyorsa, aşağıdaki tabloya göre isteğe bağlı farklı çaptaki ek parçalar kullanın.

(Birim: mm (inç))

Dış ünitenin bağlantı deliği boyutu	İsteğe bağlı farklı çaptaki ek parçalar (dış ünitenin bağlantı deliği boyutu → bağlantı borusunun çapı)
MXZ-2D	Sıvı / Gaz
A, B ÜNİTESİ	6,35 (1/4) / 9,52 (3/8)
9,52 (3/8) → 12,7 (1/2) : MAC-A454JP-E İç ünite bağlantı borusunun çapı için iç ünite kurulum kılavuzuna bakın.	

1-4. TESİS EDİLECEK BÖLGENİN SEÇİMİ

- Şiddetli rüzgarlara açık olmayan yerler.
- Tozdan arınmış temiz hava alan yerler.
- Yağmur gelebilecek veya doğrudan güneş ışığına bakan yerlerden mümkün olduğunca kaçınılmalıdır.
- Dış ünite çalışırken çıkacak olan ses ve ısıdan çevrenin rahatsız olmayacağı yerler.
- Çalışma sesi ve titreşiminin artmasını engelleyecek güçlü duvar ve desteklerin mevcut bulunduğu yerler.
- Yanıcı gaz sızıntısı riski olmayan yerler.
- Üniteyi takarken ünitenin bacalarını sabitlediğinizden emin olun.
- TV cihazı veya radyo anteninden en az 3 m uzaklıkta bulunacağı bir yer. Sinyal akış kalitesinin zayıf olduğu bölgelerde klimanın çalışması radyo veya TV'nin çalışmasını etkileyebilir. Etkilenen cihaza yükseltici takılması gerekebilir.
- Üniteyi yatay olarak monte edin.
- Lütfen kar yağışı ve kar fırtınasından etkilenmeyen bölgelere kurun. Yoğun kar yağışı olan yerlerde, lütfen tente, kaide ve/veya bazı kontrol kartları yerleştirin.

Not:

Aktarılan titreşimi azaltmak üzere dış mekan biriminin yanında borunun halka yapacak şekilde döşenmesi tavsiye edilir.

Not:

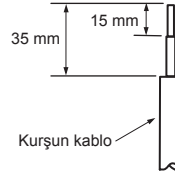
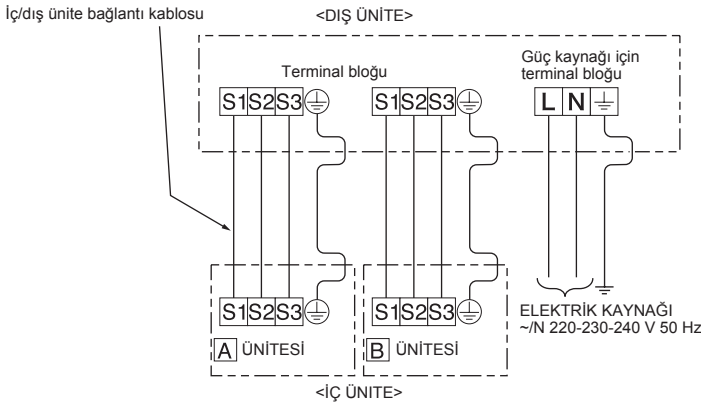
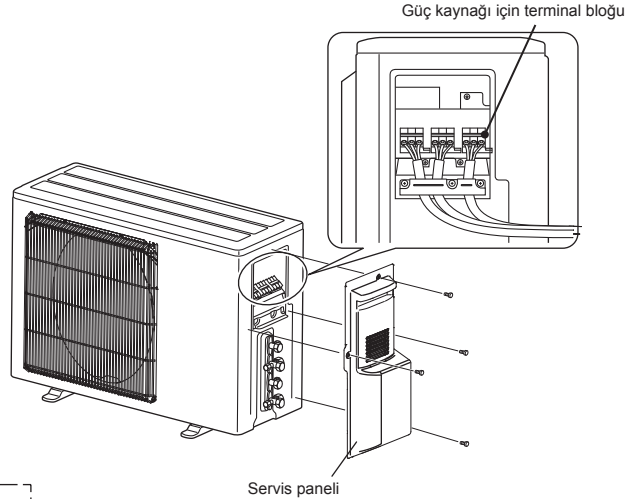
Dışarıda hava sıcaklığı düşükken klimayı çalıştırıyorsanız, aşağıda açıklanan talimatlara uyduğunuzdan emin olun.

- Dış üniteyi kesinlikle hava giriş/çıkış tarafının doğrudan rüzgar alabileceği bir yere kurmayın.
 - Rüzgar almasını önlemek için dış üniteyi, hava giriş tarafı duvara gelecek şekilde kurun.
 - Rüzgar almasını önlemek için dış ünitenin hava çıkış tarafına bir hava levhası takmanız önerilir.
- Klimayı, klimaya ilişkin arızaların ortaya çıkmasının olası olduğu aşağıdaki yerlere tesis etmekten kaçının:
- Yanıcı gaz sızıntısı olabilecek yerler.
 - Makine yağlarının çok bulunduğu yerler.
 - Yağın sıçradığı veya alanın yağlı duman ile dolu olduğu yerler (pişirme alanları ve fabrikalar, plastiğin özelliklerinin değiştirilebileceği veya zarar görebileceği yerler).
 - Deniz kıyısı gibi tuzlu yerler.
 - Kaplıcalar gibi sülfid gazlarının yoğun olduğu yerler.
 - Yüksek frekanslı veya telsiz cihazlarının bulunduğu yerler.
 - Kimyasal çatlama neden olan ftalat bileşikleri, formaldehit, vs. dahil olmak üzere yüksek seviyelerde VOC emisyonu olan yerler.

2. DIŞ ÜNİTENİN TESİSATI

2-1. KABLOLARI DIŞ ÜNİTEYE BAĞLAMA

- 1) Servis panelini çıkarın.
- 2) Terminal vidasını gevşetin ve iç üniteden gelen iç/dış ünite bağlantı kablosunu (B) terminal bloğuna doğru biçimde bağlayın. Yanlış bağlantı yapmamaya dikkat edin. Kabloyu iç kısmı hiç görünmeyecek ve terminal bloğunun bağlanma kesimine hiçbir dış kuvvet aktarılmayacak şekilde terminal bloğuna sabitleyin.
- 3) Terminal vidalarını gevşemeyecek şekilde iyice sıkıştırın. Sıkıştırdıktan sonra son bir kez kabloları hafifçe çekip hareket etmediklerinden emin olun.
- 4) 2) ve 3) no'lu adımları her iç ünite için uygulayın.
- 5) Güç kaynağı kablosunu (A) bağlayın.
- 6) İç/dış ünite bağlantı kablosunu (B) ve güç kaynağı kablosunu (A) kablo kelepçeleriyle sabitleyin.
- 7) Servis panelini sıkıca kapatın. 3-2'te belirtilen işlemleri yapın. BORU BAĞLAMA tamamlanmıştır.
 - Güç kaynağı kablosu (A) ve iç/dış ünite bağlantı kablosu (B) arasındaki bağlantıları yaptıktan sonra, her iki kabloyu ve ünite bağlantı kablosunu kablo kelepçeleriyle sabitlediğinizden emin olun.



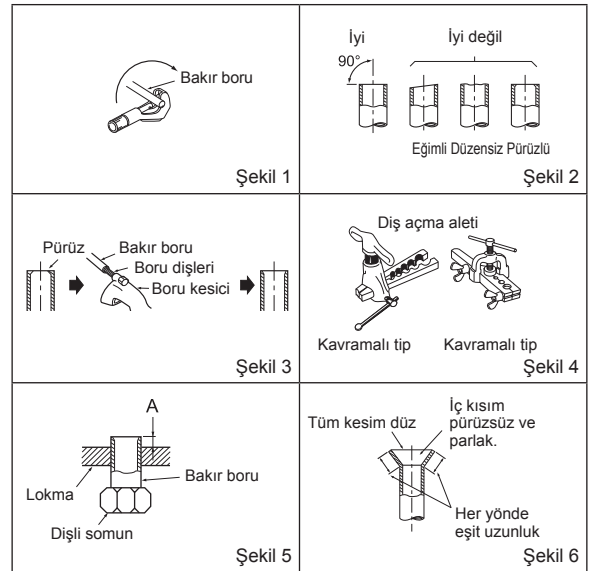
- Kabloyu ve teli terminal bloğuna sabitlerken, her vidayı ilgili terminaline bağladığınızdan emin olun.
- Topraklama kablosunu diğerlerinden biraz daha uzun tutun. (35 mm'den fazla)
- İleride yapılacak bakım işleri için bağlantı kablolarını uzun tutun.

3. DIŞ AÇMA İŞİ VE BORU BAĞLAMA

3-1. DIŞ AÇMA İŞİ

- 1) Bakır boruyu boru keskiyle doğru şekilde kesin. (Şekil 1, 2)
- 2) Boru kesitindeki pürüzleri tamamen giderin. (Şekil 3)
 - Çapakları temizlerken, temizlenen çapakların borunun içine girmesini engellemek için bakır boruyu aşağı doğru tutun.
- 3) İç ve dış üniteye takılı olan somunları sökün ve daha sonra bu somunları pürüzlerden tamamen arınmış boruya takın. (Dış açıktan sonra takmak mümkün değildir)
- 4) Dış açma işi (Şekil 4, 5). Tabloda gösterilen boyuttaki boruyu sıkıca tutun. Seçtiğiniz alete göre tablodan A mm seçin.
- 5) Kontrol
 - Dış açma işini Şekil 6 ile karşılaştırın.
 - Eğer hata yaptıysanız hatalı kısmı keserek işlemi yeniden yapın.

Boru çapı (mm)	Somun (mm)	A (mm)			Sıkma torku	
		R410A için kavrama tipi alet	R22 için kavrama tipi alet	R22 için kelebek somun tipi alet	N•m	kgf•cm
ø6,35 (1/4")	17	0 - 0,5	1,0 - 1,5	1,5 - 2,0	13,7 - 17,7	140 - 180
ø9,52 (3/8")	22			34,3 - 41,2	350 - 420	
ø12,7 (1/2")	26			2,0 - 2,5	49,0 - 56,4	500 - 575
ø15,88 (5/8")	29				73,5 - 78,4	750 - 800



3-2. BORU BAĞLAMA

- 1) Boruların genişletilmiş uçlarına ve açık hava ünitesinin boru bağlantılarına ince bir tabaka soğutucu yağ (G) sürün.
- 2) Borunun ortasını açık hava ünitesinin boru bağlantılarının ortasıyla hizalayın; ardından rondelalı somunu elinizle 3-4 tur sıkın.
- 3) Tabloda belirtildiği gibi rondelalı somunu tork anahtarı ile sıkın.
 - Rondelalı somun aşırı sıkılırsa zarar görebilir ve bunun sonucunda soğutma sıvısı kaçağı meydana gelebilir.
 - Boru tesisatının çevresini izolasyon malzemesiyle sardığınızdan emin olun. Çıplak boru tesisatına doğrudan temas etmek yanıklara veya soğuk ısırmalarına neden olabilir.

⚠ UYARI

Üniteyi tesis ederken, soğutucu borularını kompresörü çalıştırmadan önce sağlam şekilde bağlayınız.

3-3. ISI YALITIMI VE SARGILAMA

- 1) Boru bağlantılarını boru kaplayıcısı ile kaplayın.
- 2) Vanalar da dahil olmak üzere dış sistemdeki boruları izole edin.
- 3) Boru bandı (E) kullanarak, dış ünitenin girişinden başlayarak bandı sarın.
 - Boru bandının (E) uç kısmını bant kullanarak (yapışkanlı madde ile birlikte) yapıştırın.
 - Boru tesisatını ısı ve nemlilik oranının yüksek olduğu tavan, tuvalet vb. gibi yerlerden geçirirken yoğunlaşmayı önlemek için piyasadan sağlayabileceğiniz ek izole maddeleri kullanın.

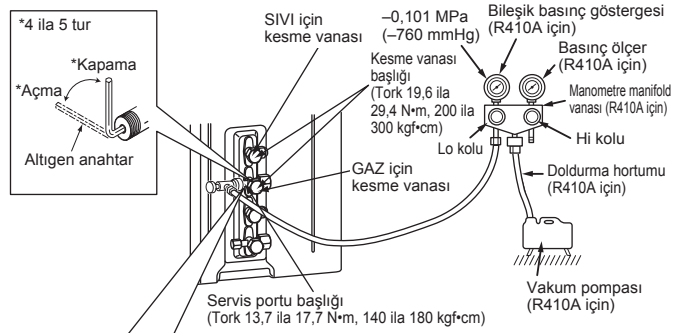
⚠ DİKKAT

Kullanılmayan bağlantı delikleri varsa, bunlara ait somunların sağlam şekilde sıkıştırıldığından emin olun.

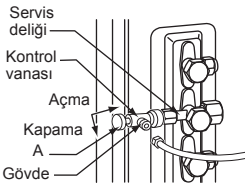
4. TEMİZLEME PROSEDÜRLERİ, SIZINTI TESTİ VE TEST ÇALIŞTIRMASI

4-1. TEMİZLEME PROSEDÜRLERİ VE SIZINTI TESTİ

- 1) Dış ünite gaz borusu üzerinde bulunan kesme vanasının kapağını çıkartın. (Kesme vanaları ilk konumlarında tamamen kapalı ve şapkaçıklı örtülüdürler.)
- 2) Manifold vanasını ve vakum pompasını dış ünite gaz borusu kısmının bağlı olduğu servis deliğine bağlayın.
- 3) Vakum pompasını çalıştırın. (15 dakika boyunca vakumize edin.)
- 4) Manifold vanası ile vakumu kontrol edip manifold vanasını kapatın ve vakum pompasını durdurun.
- 5) Bir veya iki dakika bu durumda bırakın. Manifold vana göstergesinin aynı yerde olduğundan emin olun. Basınç değeri $-0,101$ MPa [Manometre] (-760 mmHg) olmalıdır.
- 6) Kesme vanası bakım yerinden manometre manifold vanasını hızla çıkartın.
- 7) Gaz ve sıvı borusundaki tüm kesme vanalarını tamamen açın. Vanalar tam olarak açık durumda çalıştırılmadıkları zaman performans düşüklüğü ve arızaya sebep olurlar.
- 8) 1-2.'e başvurun ve gerekirse belirtilen miktarda soğutma maddesini doldurun. Soğutma sıvısını yavaşça doldurduğunuzdan emin olun. Aksi takdirde, sistemdeki soğutma sıvısı bileşimini değiştirebilir ve klimanın performansını etkileyebilir.
- 9) Başlangıçtaki duruma dönmek üzere şapkaçıkları sıkıştırın.
- 10) Sızıntı testi



Kontrol vanasını kullanırken önlemler



Kontrol vanasını servis deliğine takarken, aşırı basınç uygulanırsa vana çekirdeği deforme olur veya gevşer. Bu, gaz sızıntısına yol açabilir.

Kontrol vanasını servis deliğine takarken, vana çekirdeğinin kapalı konumunda olduğundan emin olun ve daha sonra A parçasını sıkın. Valf çekirdeği açık konumdayken A parçasını sıkmayın ve gövdeyi çevirmeyin.

4-2. GAZ DOLDURMA

Üniteye gaz doldurma işlemini yapın.

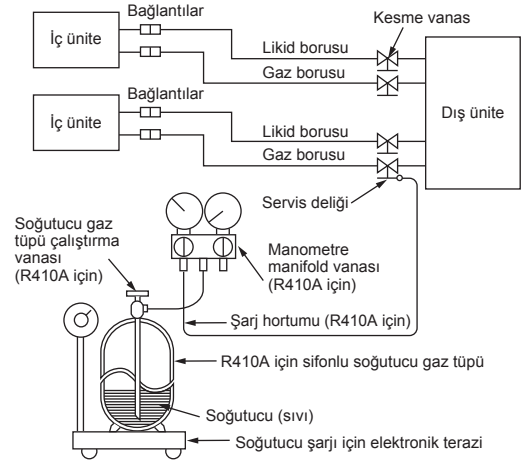
- 1) Gaz tüpünü stop valfi (üç yollu valf) servis deliğine bağlayınız.
- 2) Soğutucu tüpünden gelen boru (veya hortum) içerisinde hava kalmamasına dikkat ediniz.
- 3) Klima soğutma modunda çalışırken belirtilen oranda gaz ekleyiniz.

Not:

Soğutma sıvısı eklemek gerektiğinde, her soğutma döngüsü için belirtilen miktarları ekleyiniz.

DİKKAT:

Soğutucu sistemine soğutucu ilave ederken sıvı soğutucu kullandığınızdan emin olun. Gaz soğutucu kullanılması sistemdeki soğutucu bileşimini değiştirebilir ve klimanın normal çalışmasını etkileyebilir. Buna ek olarak, sıvı soğutucuyu yavaşça doldurun; aksi takdirde kompresör kilitlenecektir. Gaz tüpündeki basıncın yüksek kalmasını garantilemek için gerekiyorsa tüpü 40 °C'den daha düşük ısıdaki suyla dolu bir kaba yerleştiriniz. Asla buhar veya ateş ile tüpü ısıtmaya çalışmayınız.

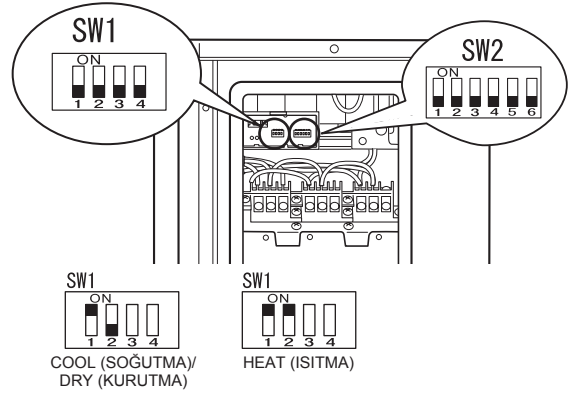


4-3. KLİMANIN ÇALIŞMA MODUNUN KİLİTLENMESİ (COOL, DRY, HEAT (SOĞUTMA, KURUTMA, ISITMA))

- Fonksiyonun açıklaması:
Bu fonksiyonla, çalışma modu SOĞUTMA/KURUTMA veya ISITMA moduna kilitletiğinde, klima yalnızca bu modda çalışır.
- Bu fonksiyonun etkinleştirilmesi ayarların değiştirilmesini gerektirir. Lütfen bu fonksiyonu müşterinize açıklayın ve kullanmak isteyip istemediklerini sorun.

[Çalışma modunun kilitletmesi]

- Ayarlamayı yapmadan önce klimanın ana gücünü kestiğinizden emin olun.
- Bu fonksiyonu devreye sokmak için dış ekran paneli üzerindeki SW1'in "1" Anahtarını ON (Açık) konuma getirin.
- Çalışma modunu COOL/DRY moduna getirmek için dış ekran paneli üzerindeki SW1'in "2" anahtarını OFF (Kapalı) konumuna getirin. Çalışma modunu ISITMA modu olarak ayarlamak için aynı anahtarı ON (Açık) konumuna getirin.
- Klimanın ana gücünü açın.

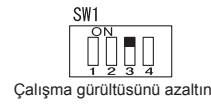


4-4. DIŞ ÜNİTE ÇALIŞMA GÜRÜLTÜSÜNÜN AZALTILMASI

- Fonksiyonun açıklaması:
Bu fonksiyonla, örneğin SOĞUTMA modunda geceleyin çalışma yükünün azaltılmasıyla dış ünitenin çalışma sesi düşürülür. Ancak, bu fonksiyonun etkinleştirilmesiyle soğutma ve ısıtma kapasitesinin düşeceğini lütfen unutmayın.
- Bu fonksiyonun etkinleştirilmesi ayarların değiştirilmesini gerektirir. Lütfen bu fonksiyonu müşterinize açıklayın ve kullanmak isteyip istemediklerini sorun.

[Çalışma gürültüsünün azaltılması]

- Ayarlamayı yapmadan önce klimanın ana gücünü kestiğinizden emin olun.
- Bu fonksiyonu devreye sokmak için dış ekran paneli üzerindeki SW1'in "3" Anahtarını ON (Açık) konuma getirin.
- Klimanın ana gücünü açın.



4-5. İŞLETME TESTİ

- İç ünite test çalıştırma işlemi bağımsız olarak gerçekleştirilmelidir. İç ünite ile birlikte gelen kurulum kılavuzuna bakın ve tüm ünitelerin uygun şekilde çalıştığından emin olun.
- Test çalıştırma işlemi tüm ünitelerde aynı anda gerçekleştirilirse, soğutucu borularında ve/veya iç/dış ünite bağlantı kablolarında yapılmış olabilecek muhtemel hatalı bağlantılar tespit edilemez. Bu yüzden test işlemini teker teker gerçekleştirdiğinizden emin olun.

Aşağıdaki işlemleri yaptığınızdan emin olun.

- Üniteye elektrik geliyor.
- Kesme vanaları açık.

Yeniden çalışmayı önleyici mekanizma üzerine:

Kompresör bir kez durduğu zaman yeniden çalışmayı önleyici araç, klimayı korumak üzere kompresörün 3 dakika içinde çalışmasını engeller.

4-6. KULLANICIYA AÇIKLAMA

- ÇALIŞTIRMA TALİMATLARINI kullanarak, kullanıcıya klimayı nasıl kullanacağını açıklayın (kumanda nasıl kullanılır, hava filtreleri nasıl çıkarılır, kumanda, kumanda tutucudan nasıl çıkarılır veya kumanda tutucuya nasıl konur, nasıl temizlenir, çalıştırma önlemler, vb.).
- Kullanıcıya ÇALIŞTIRMA TALİMATLARINI dikkatlice okumasını önerin.

5. DIŞARI POMPALAMA

Klimayı başka bir yere taşıırken ya da atarken, atmosfere soğutucu gazı salınmasını engellemek için gazı aşağıdaki prosedürü izleyerek boşaltın.

- Sigortayı kapatın.
- Manifold vanasını dış ünite gaz borusu kısmının bağlı olduğu kesme vanası servis deliğine bağlayın.
- Dış ünitenin sıvı borusu kısmındaki kesme vanasını tamamen kapatın.
- Sigortayı açın.
- Tüm kapalı mekan birimlerinde acil SOĞUTMA işlemini başlatın.
- Manometre 0,05 ila 0 MPa [Ölçüm] (yaklaşık 0,5 ila 0 kgf/cm² arası) arasında bir değer gösterdiğinde dış ünitenin gaz borusu kısmındaki kesme vanasını tamamen kapatın ve işlemi durdurun. (İşlemi durdurma yöntemi hakkında bilgi için kapalı mekan montaj kılavuzuna bakın.)
* Eğer klima sistemine çok fazla soğutucu gaz konmuşsa, basınç 0,05 MPa [Ölçüm] (yaklaşık 0,5 kgf/cm²) seviyesine düşmeyebilir veya yüksek basınçlı soğutucu gazı devresindeki basınç artışı nedeniyle koruma fonksiyonu devreye girebilir. Bunun olması durumunda, bir soğutucu gazı temizleme aracı kullanarak sistemdeki tüm gazı toplayın ve sistemi iç ve dış birimler yerleştirildikten sonra doğru miktarda gaz ile yeniden doldurun.
- Sigortayı kapatın. Manometreyi ve soğutucu gazı akışkan borusunu çıkarın.

⚠ UYARI

Soğutucu gazını dışarı pompalarken, gaz borularının bağlantısını kesmeden önce kompresörü durdurun.
Hava vb. maddelerin içine girmesi durumunda kompresör patlayabilir ve yaralanmalara yol açabilir.

Bu uyarının içeriği sadece Türkiye'de geçerlidir.

- Şirketimizdeki geliştirme faaliyetlerinden dolayı ürün özelliklerinin, haber verilmeksizin değiştirilme hakkı tarafımızda saklıdır.
- Anma değerleri için TS EN 14511 / TS EN 14825 deki iklim şartları ile tarif edilen koşullar esas alınmıştır.
- İç ve dış ortam sıcaklıklarının standartlarda esas alınan değerlerin dışına çıkması durumunda klimanızın ısıtma ve soğutma kapasitelerinin etkilenmesi doğaldır.
- Ürünün üzerinde bulunan işaretlemelerde veya ürünle birlikte verilen diğer basılı dokümanlarda beyan edilen değerler, ilgili standartlara göre laboratuvar ortamında elde edilen değerlerdir. Bu değerler, ürünün kullanım ve ortam şartlarına göre değişebilir.
- Satın almış olduğunuz ürünün kullanım ömrü 10 yıldır. Bu, ürünün fonksiyonunu yerine getirebilmesi için gerekli yedek parça bulundurma süresidir.

Ürünün montajı için Mitsubishi Electric Turkey Elektrik Ürünleri A.Ş. yetkili servisine / bayisine başvurunuz.

Servis İstasyonları ve Yedek Parça Temini :

Cihazınızın bakım, onarım ve yedek parça ihtiyaçları için klimanızı satın aldığınız yetkili satıcıya başvurunuz. Yetkili Servislerimizin listesine [URL: http://klima.mitsubishielectric.com.tr](http://klima.mitsubishielectric.com.tr) adresinden veya 444 7 500 numaralı telefondan ulaşabilirsiniz.

Ünitenin ihtiyaç duyacağı bakım ve onarım parçaları 10 yıl boyunca üretilecektir.

AEEE Yönetmeliğine Uygundur.



İthalatçı Firma:

Merkez Ofis (Head Office)

Mitsubishi Electric Turkey Elektrik Ürünleri A.Ş.

Şerifali Mah. Kale Sok. No:41 34775 Ümraniye/ İstanbul / Türkiye

Tel: + 90 216 969 25 00 Faks: + 90 216 661 44 47

klima@tr.mee.com

[URL: http://klima.mitsubishielectric.com.tr](http://klima.mitsubishielectric.com.tr)

SİCİL NO : 845150

MERSİS NO : 0 621047840100014

Üretici Firma:

Mitsubishi Electric Corporation (Head Office)

Tokyo Building, 2-7-3, Marunouchi, Chiyoda-ku, Tokyo 100-8310, Japan

Tel: +81 (3) 3218-2111

www.mitsubishielectric.com

СЪДЪРЖАНИЕ

1. ПРЕДИ МОНТАЖ.....	1
2. МОНТАЖ НА ВЪНШНОТО ТЯЛО.....	4
3. РАЗВАЛЦОВАНЕ И СВЪРЗВАНЕ НА ТРЪБА.....	4
4. ВАКУУМИРАНЕ, ТЕСТ ЗА ХЕРМЕТИЧНОСТ И ПРОБНО ПУСКАНЕ В ДЕЙСТВИЕ.....	5
5. ИЗПОМПВАНЕ.....	6

Необходими инструменти за монтаж

Отвертка Phillips	Конусна дъска за R410A
Нивелир	Манометрична станция за R410A
Рулетка	R410A
Макетен нож или ножици	Вакуум помпа за R410A
Динамометричен ключ	Заряден маркуч за R410A
Гаечен ключ	Тръборез с шабър
4 mm шестограм	

1. ПРЕДИ МОНТАЖ

1-1. ВИНАГИ СПАЗВАЙТЕ ОПИСАНОТО ПО-ДОЛУ

- Не забравяйте да прочетете „ВИНАГИ СПАЗВАЙТЕ ОПИСАНОТО ПО-ДОЛУ“, преди да инсталирате климатичната система.
- Задължително спазвайте напътствията и предупрежденията отбелязани тук, защото те съдържат важна информация, свързана с Вашата безопасност.
- След като прочетете това ръководство, съхранявайте го заедно с РЪКОВОДСТВОТО ЗА ЕКСПЛОАТАЦИЯ за лесна справка в бъдеще.

⚠ ПРЕДУПРЕЖДЕНИЕ (Може да причини смърт, сериозни травми и т.н.)

- **Не инсталирайте сами тялото (за потребители).**
Неправилният монтаж може да причини пожар или токов удар, нараняване поради падане на тялото или изтичане на вода. Консултирайте се с дилъра, от когото сте закупили тялото, или с квалифициран инсталационен техник.
- **Извършвайте инсталацията, спазвайки инструкциите в ръководството за монтаж.**
Неправилната инсталация може да причини пожар, токов удар, нараняване поради падане на тялото или изтичане на вода.
- **При инсталация използвайте подходящо защитно оборудване и инструменти за безопасност.**
Неспазването на това може да доведе до наранявания.
- **Инсталирайте тялото на надеждно място, което може да понесе неговата тежест.**
В случай че мястото, където е инсталирано климатичното тяло, не може да понесе неговата тежест, тялото може да падне, причинявайки щети.
- **Електрическите работи трябва да се изпълняват от квалифициран, опитен електротехник, съобразно ръководството за монтаж. Използвайте самостоятелна електрическа верига. Не включвайте други електрически уреди към веригата.**
В случай че капацитетът на електрическата мрежа е недостатъчен или има недовършена електрическа работа, е възможно да възникне пожар или токов удар.
- **Не нанасяйте щети на кабелите чрез прилагане на прекомерен натиск с компоненти или винтове.**
Повредените кабели могат да причинят пожар или токов удар.
- **Изключете захранването в случаи на настройка на платката на вътрешното тяло или окабеляване.**
Неспазването на това може да доведе до токов удар.
- **Използвайте изрично упоменатите кабели, за да свържете вътрешните и външните тела безопасно, и закрепете кабелите здраво към клеморедата, така че да не се предава механично напрежение към тях. Не удължавайте кабелите и не използвайте междинни връзки.**
Неправилното свързване и укрепване могат да причинят пожар.
- **Не инсталирайте тялото на места, където има опасност от изтичане на лесно запалим газ.**
Ако газ изтече и се акумулира в зоната около тялото, има риск от експлозия.
- **Не използвайте междинната връзка на захранващия кабел или удължителния шнур и не свързвайте много уреди към един електрически контакт.**
Това може да доведе до пожар или токов удар поради дефектен контакт, дефектна изолация, превишаване на допустимия ток, и т.н.
- **Използвайте предоставените Ви части или изрично упоменатите допълнителни части за инсталационните работи.**
Употребата на дефектни части може да доведе до нараняване или изтичане на вода поради пожар, токов удар, падане на тялото, и т.н.
- **При включване на щепсела в контакта, уверете се, че няма прах, запущване, или разхлабени части в контакта или щепсела. Щепселът трябва да бъде вкаран докрай в контакта.**
Ако има прах, запущване, или разхлабени части по щепсела или контакта, това може да доведе до токов удар или пожар. Ако има разхлабени части по щепсела, заменете го.
- **Стабилно свържете капака на клеморедата към вътрешното тяло, а сервисния панел - към външното тяло.**
Ако капакът на клеморедата на вътрешното тяло и/или сервисният панел на външното тяло не са добре закрепени, това може да доведе до пожар или токов удар поради прах, вода и т.н.
- **При монтаж, преместване или обслужване на тялото уверете се, че единствено изрично посоченият хладилен агент (R410A) влиза в охладителната верига.**
Наличието на чужда субстанция като въздух може да доведе до аномално повишаване на налягането, експлозия или нараняване. Употребата на хладилен агент, различен от изрично упоменатия за системата, ще доведе до механична повреда, неправилно функциониране на системата или повреда на тялото. В най-лошия случай това може сериозно да възпрепятства осигуряването на безопасността на продукта.
- **Не освобождавайте хладилния агент в атмосферата. В случай на изтичане на хладилния агент по време на монтажа проветрете стаята.**
Ако хладилният агент влезе в контакт с огън може да се произведе вреден газ. Изтичането на хладилен агент може да причини задушаване. Осигурете вентилация съобразно с EN378-1.
- **След завършване на монтажа се уверете, че няма изтичане на хладилния агент.**
Ако той изтече на закрито и влезе в контакт с пламъка на вентилаторна пелка, нагревател, пелка и т.н. ще се образуват вредни вещества.
- **Използвайте подходящи инструменти и материали, както и неправилният монтаж, могат да причинят спукване на тръбите или повреда.**
- **Когато използвате хладилния агент, спрете компресора, преди да откачите хладилните тръби.**
Ако хладилните тръби са разкачени, докато компресорът е включен, и спирателният клапан е отворен, може да влезе въздух и налягането в охладителния цикъл може да стане аномално високо. Това може да доведе до спукване на тръбите или повреда.
- **Когато монтирате тялото, закрепете здраво хладилните тръби, преди да стартирате компресора.**
Ако компресорът бъде включен преди хладилните тръби да бъдат свързани и когато спирателният клапан е отворен, може да влезе въздух и налягането в охладителния цикъл може да стане аномално високо. Това може да доведе до спукване на тръбите или повреда.
- **Затегнете конусовидната гайка с динамометричен гаечен ключ, както е обяснено в това ръководство.**
Ако е твърде здраво затегната, тя може да се счупи след време и да причини изтичане на хладилен агент.
- **Тялото трябва да бъде монтирано съобразно националните наредби за електрическа безопасност.**
- **Заземете тялото правилно.**
Не свързвайте заземяването с газопровод, водопровод, гръмотовод или телефонно заземяване. Дефектното заземяване може да доведе до токов удар.
- **Непременно монтирайте дефектнотоков прекъсвач.**
Немонтирането на дефектнотоков прекъсвач може да доведе до токов удар или пожар.

⚠ ВНИМАНИЕ (Неправилната експлоатация в определени среди може да доведе до сериозни наранявания.)

- **Отводнете внимателно тялото според ръководството за монтаж.**
Ако има дефект в дренажа/тръбите, може да протече вода от тялото и да повреди заобикалящите го предмети.
- **Не докосвайте отвора за приток на въздуха или топлообменника на външното тяло.**
Това би могло да доведе до нараняване.
- **Не монтирайте външното тяло на места, където може да живеят малки животни.**
Ако малки животни влезнат и докоснат електрическите части в устройството, това може да доведе до повреда, поява на дим или пожар. Освен това, посъветвайте потребителя да поддържа чиста зоната около тялото.

1-2. СПЕЦИФИКАЦИИ

Модел	Електрическо захранване *1			Окабеляване *2		Дължина на тръбите и разлика във височината *3, *4, *5, *6, *7, *8				Ниво на външния шум	
	Номинално напрежение	Честота	Капацитет на прекъсвача	Захранващ кабел	Кабел м/у външно/вътрешно тяло	Максимална дължина на тръбите за вътрешно тяло/за мултисистема	Максимална разлика във височината *9	Максимален брой огъвания за вътрешно тяло/за мултисистема	Допълнителен хладилен агент A *10	Охлаждане	Отопление
MXZ-2D33VA	220-230-240 V	50 Hz	10 A	3-жилен 1,0 mm ²	4-жилен 1,0/1,5 mm ²	15 m / 20 m	10 m	15 / 20	20 g/m	49 dB (A)	50 dB (A)
MXZ-2D42VA2			15 A	3-жилен 2,0 mm ²		20 m / 30 m	15 m	20 / 30		46 dB (A)	51 dB (A)
MXZ-2D53VA(H)2											50 dB (A)

Забележка:

Вижте таблицата за възможни комбинации (референтен номер за техническо обслужване).
Когато свързвате вътрешно тяло от серия MFZ-KJ към това външно тяло, заредете допълнително хладилен агент съгласно инструкциите в таблицата по-долу.

MXZ-2D33VA

Брой вътрешни тела MFZ-KJ	Дължина на тръбата (L)		Максимално количество хладилен агент
	~ 20 m		
1 тяло	100 g допълнително (общо 1250 g)		1250 g
2 тела	Не е налично (може да бъде свързано само едно вътрешно тяло от серия MFZ-KJ)		

Брой вътрешни тела MFZ-KJ	Дължина на тръбата (L)		Максимално количество хладилен агент
	~ 20 m	~ 30 m	
1 тяло	100 g допълнително (общо 1400 g)	100 g + {(L - 20) m x 20 g/m}	1600 g
2 тела	200 g допълнително (общо 1500 g)	200 g + {(L - 20) m x 20 g/m}	1700 g

- *1 Свържете към захранващ превключвател с 3 mm разстояние в изключено състояние за прекъсване на фазата. (В изключено състояние трябва да прекъсва всички фази.)
- *2 Използвайте проводници в съответствие с 60245 IEC 57. Използвайте вътрешен/външен свързващ проводник в съответствие със спецификациите на окабеляване, посочени в ръководството за монтаж на вътрешното тяло.
- *3 Не използвайте тръби с по-малка от изискваната дебелина. Устойчивостта на налягане ще бъде недостатъчна.
- *4 Използвайте тръба от мед или медна сплав.
- *5 Внимавайте да не смачкате или повредите тръбите при огъването им.

- *6 Радиусът на огъване на тръбите трябва да бъде 100 mm или повече.
- *7 Изолационен материал: топлоустойчив дунапрен 0,045 относително тегло.
- *8 Използвайте изолацията с определената дебелина. Прекомерната дебелина може да доведе до грешен монтаж на вътрешното тяло, а недостатъчната дебелина - до теч на конденз.
- *9 Ако външното тяло се монтира по-високо от вътрешното, максималната разлика във височината се намалява до 10 m.
- *10 Ако дължината на тръбите надхвърля 20 m, е необходимо допълнително зареждане с хладилен агент (R410A). (В случай че дължината на тръбата е под 20 m, допълнително зареждане не е необходимо.)
Допълнителен хладилен агент = A × (дължина на тръбата (m) - 20)

1-3. ИЗБИРАНЕ НА ДОПЪЛНИТЕЛНИ ВРЪЗКИ С РАЗЛИЧЕН ДИАМЕТЪР

Ако диаметърът на съединителната тръба не съвпада с размера на отвора на външното тяло, използвайте допълнителни връзки с различен диаметър в съответствие със следната таблица.

(Единица: mm (inch))

Размер на отвора на външното тяло		Допълнителни връзки с различен диаметър (размер на отвора на външното тяло → диаметър на съединителната тръба)
MXZ-2D	Газ / Течност	9,52 (3/8) → 12,7 (1/2) : MAC-A454JP-E
A, B ТЯЛО	6,35 (1/4) / 9,52 (3/8)	Вижте ръководството за монтаж на вътрешното тяло за диаметъра на съединителната тръба на вътрешното тяло.

1-4. ИЗБОР НА МЯСТО ЗА МОНТАЖ

- Където не е изложено на силен вятър.
- Където има свободен въздушен поток без прах.
- Където дъжд и директна слънчева светлина са сведени до минимум.
- Където шумът в работен режим и топлият въздух няма да пречат на никого.
- Където е налична устойчива стена, за да се намалят шумът и вибрацията в работен режим.
- Където няма риск от теч на запалими газове.
- Когато монтирате тялото, погрижете се да подсиригирате опората му.
- Осигурете поне 3 m разстояние от антена на телевизор или радио. Работата на климатика може да компрометира TV-/радиосигнала на места, където той е слаб. В такъв случай може да е необходим усилвател.
- Монтирайте тялото хоризонтално.
- Моля, монтирайте тялото на място, където е ограничен снеговалежът и снегонавяването. В зони с обилен снеговалеж, моля, монтирайте навес, основа или защитна преграда.

Забележка:

Препоръчително е да направите обръч с тръбна обвръзка в близост до външното тяло, за да се намалят вибрациите.

Забележка:

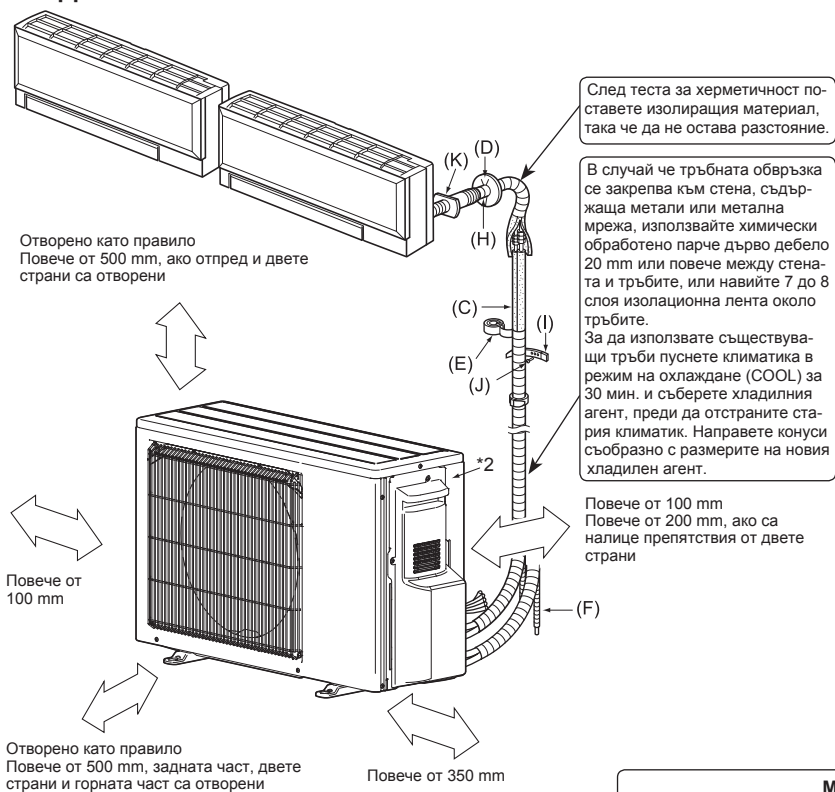
Когато ползвате климатика при ниска външна температура, моля следвайте следните инструкции:

- Не монтирайте външното тяло на място, където страната с вход/изход за въздух е изложена на директен вятър.
- За да предотвратите изпагането на вятър, монтирайте външното тяло с въздушния отвор към стената.
- За да предотвратите изпагането на вятър, монтирайте предпазна преграда откъм въздушния отвор.

Избягвайте следните места за монтаж, на които може да възникне проблем с климатика:

- Където може да има теч на запалими газове.
- Където има големи количества машинно масло.
- Където се разлива масло или има изпарения от мазнина (в близост до готварски зони и фабрики, тъй като свойствата на пластмасата може да се променят или влошат).
- Места с високо съдържание на сол като морския бряг.
- Където има серни изпарения, например горещи извори.
- Където има високочестотни или безжични устройства.
- Където има висока концентрация на летливи органични съединения, включително фталатни съединения, формалдехид и т.н., което може да причини химична реакция.

1-5. ДИАГРАМА ЗА МОНТАЖ



*2 Годишата и месецът на производство са обозначени на табелката със спецификации.

АКСЕСОАРИ

Преди монтаж проверете дали разполагате със следното:

(1) Дренажно гнездо	1
---------------------	---

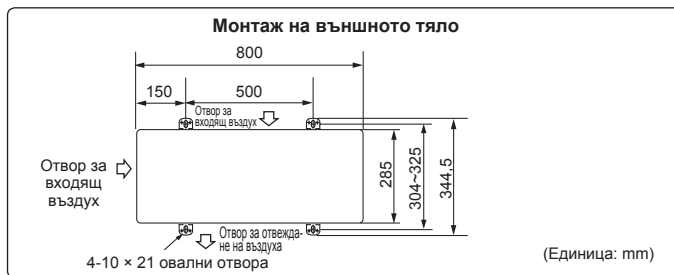
ЧАСТИ, КОИТО ОСИГУРЯВАТЕ ВИЕ

(A) Захранващ кабел*1	1
(B) Кабел за връзка между външно и вътрешно тяло*1	1
(C) Свързващи тръби	1
(D) Капак за отвор	1
(E) Бандажна лента	1
(F) Удължителен дренажен маркуч (или мек маркуч от PVC с 15 mm вътрешен диаметър или твърда PVC тръба VP16)	1
(G) Масло за компресор	Малко количество
(H) Маджун	1
(I) Фиксираща скоба за тръба	2 до 7
(J) Фиксиращ винт за (I)	2 до 7
(K) Маншон за отвор	1
(L) Мек маркуч от PVC с 15 mm вътрешен диаметър или твърда PVC тръба VP16 за дренажното гнездо (1)	1

Забележка:

*1 Монтирайте кабела за връзка между външно и вътрешно тяло (B) и захранващия кабел (A) поне на 1 m от кабела на телевизионната антена.

„Количество“ за (B) до (K) в таблицата по-горе е количеството за използване за вътрешно тяло.



Телата трябва да се инсталират от лицензирани контрактори съгласно с изискванията на местното законодателство.

1-6. ДРЕНАЖНИ ТРЪБИ ЗА ВЪНШНОТО ТЯЛО

Моля, извършвайте работата по дренажните тръби само когато източването е от едно място.

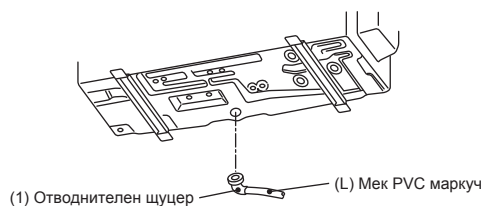
- 1) Осигурете отводнителна тръба преди свързването на външното и вътрешното тяло.
- 2) Свържете мекия PVC маркуч (L) I.D. 15 mm както е показано на илюстрацията.
- 3) Непременно осигурете отводнителна тръба с наклон за лесно оттичане.

Забележка:

Монтирайте тялото хоризонтално.

Не използвайте отводнителен щуцер (1) в студени райони. Отводнителната тръба може да замръзне и да блокира вентилатора.

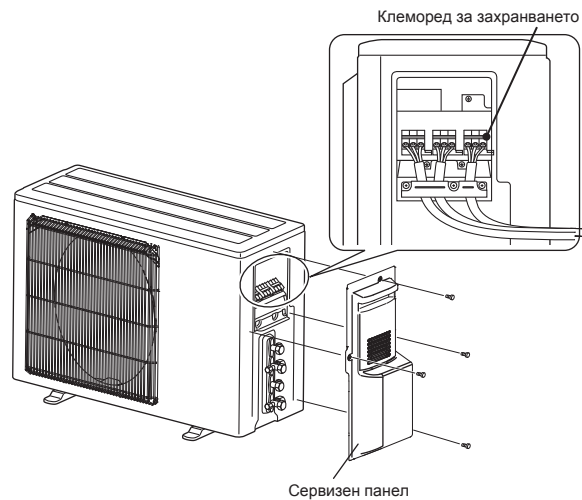
Външното тяло отделя конденз в режим на отопление. Изберете мястото за инсталация, така че външното тяло и/или земята да не бъдат намокрени от оттичаща се вода или повредени от замръзнала вода.



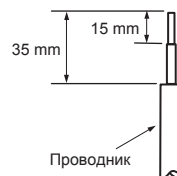
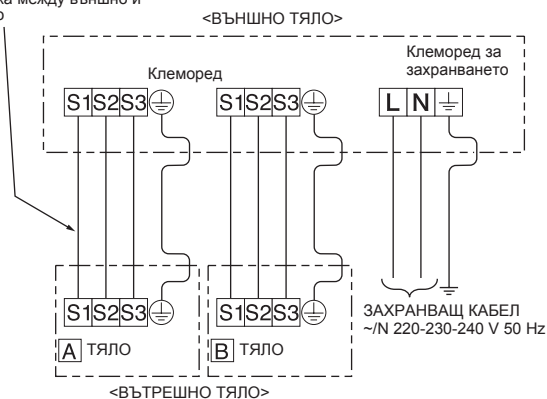
2. МОНТАЖ НА ВЪНШНОТО ТЯЛО

2-1. ОКАБЕЛЯВАНЕ НА ВЪНШНОТО ТЯЛО

- 1) Отстранете сервисния панел.
- 2) Разхлабете винтовете на клеморедата и свържете кабела за връзка между външно и вътрешно тяло (В) от вътрешното тяло правилно към клеморедата. Внимавайте да не размените последователността на проводниците. Прикрепете кабела здраво към клеморедата, така че да няма оголени проводници, и да не оказва механично напрежение върху клемите.
- 3) Здраво затегнете винтовете, за да не се разхлабят. След затягането леко дръпнете проводниците, за да се уверите, че не мърдат.
- 4) Извършете 2) и 3) за всяко вътрешно тяло.
- 5) Свържете захранващия кабел (А).
- 6) Фиксирайте кабела за връзка между външно и вътрешно тяло (В) и захранващия кабел (А) с кабелните скоби.
- 7) Внимателно затворете сервисния панел. Уверете се, че 3-2. СВЪРЗВАНЕ НА ТРЪБИТЕ е завършено.
 - След като направите връзките между захранващия кабел (А) и кабела за връзка между външно и вътрешно тяло (В), непременно закрепете кабела и проводника с кабелни връзки.



Кабел за връзка между външно и вътрешно тяло



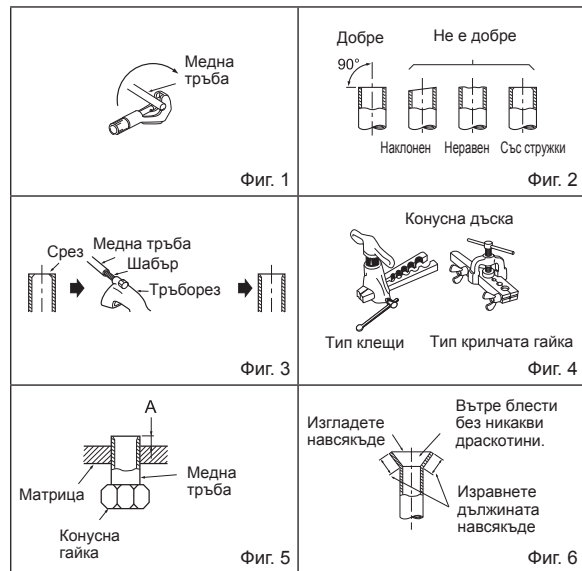
- Поставете отново всички винтове на местата им при укрепването на кабела и/или проводниците към клеморедата.
- Направете заземителния проводник малко по-дълъг от останалите. (повече от 35 mm)
- За по-лесно обслужване в бъдеще оставете допълнителна дължина на проводниците.

3. РАЗВАЛЦОВАНЕ И СВЪРЗВАНЕ НА ТРЪБА

3-1. РАЗВАЛЦОВКА

- 1) Внимателно срежете медната тръба с тръборез. (Фиг. 1, 2)
- 2) Почистете грапавините на среза с шабър. (Фиг. 3)
 - Насочете медната тръба надолу, докато премахвате грапавините, за да предотвратите попадане на замърсяване в тръбата.
- 3) Отвийте конусните гайки от външното и вътрешното тяло, после ги поставете на тръбите, след като сте приключили с почистването. (Невъзможно е да се поставят след развалцовката.)
- 4) Развалцовка (Фиг. 4, 5). Здраво фиксирайте медната тръба в съответния отвор на конусната дъска. Изберете А mm от таблицата в зависимост от инструмента, който сте избрали.
- 5) Проверете:
 - Сравнете развалцовката с Фиг. 6.
 - Ако конусът е отбелязан като дефектен, го срежете и го развалцовайте отново.

Диаметър на тръбата (mm)	Гайка (mm)	А (mm)			Сила на затягане	
		Тип клещи за R410A	Тип клещи за R22	Тип крилчатата гайка за R22	N•m	kgf•cm
ø6,35 (1/4")	17	0 до 0,5	1,0 до 1,5	1,5 до 2,0	13,7 до 17,7	140 до 180
ø9,52 (3/8")	22			34,3 до 41,2	350 до 420	
ø12,7 (1/2")	26			2,0 до 2,5	49,0 до 56,4	500 до 575
ø15,88 (5/8")	29				73,5 до 78,4	750 до 800



3-2. СВЪРЗВАНЕ НА ТРЪБИТЕ

- 1) Нанесете тънък слой хладилно масло (G) на конусните краища на тръбите и тръбните връзки на външното тяло.
- 2) Подравнете центъра на тръбата с този на тръбните връзки на външното тяло и след това затегнете на ръка конусната гайка с 3 до 4 оборота.
- 3) Затегнете конусната гайка с динамометричен ключ, както е показано в таблицата.
 - Пренатягането може да причини повреда на конусната гайка, което води до изтичане на хладилен агент.
 - Не забравяйте да поставите изолация на тръбите. Директният контакт с оголени тръби може да причини изгаряне или измръзване.

⚠ ПРЕДУПРЕЖДЕНИЕ
 Когато монтирате тялото, закрепете здраво хладилните тръби, преди да стартирате компресора.

3-3. ИЗОЛАЦИЯ И ПОСТАВЯНЕ НА БАНДАЖНА ЛЕНТА

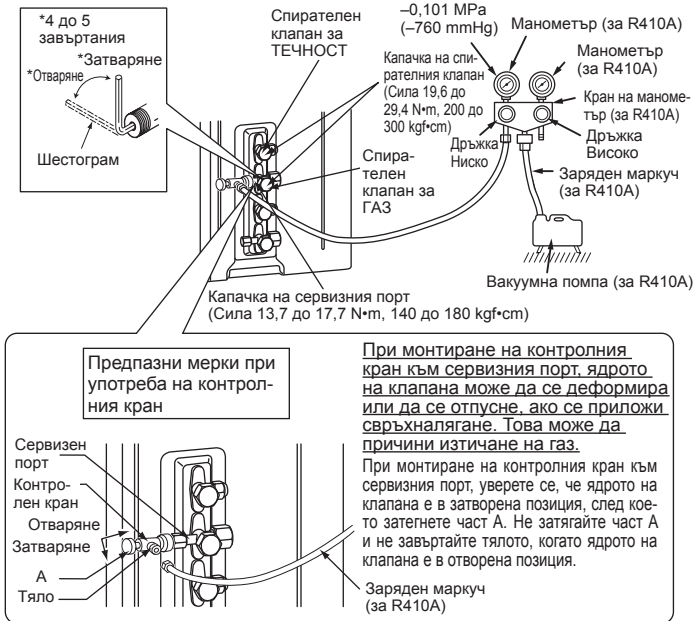
- 1) Покрийте тръбните връзки с изолация.
- 2) Изолирайте всички тръби на външното тяло, включително крановете.
- 3) С помощта на бандажна лента (E) опаковайте тръбите, като започнете от външното тяло.
 - Залепете края на лентата (E) с тиксо (с адхезивно вещество).
 - Когато тръбите трябва да бъдат прекарани през таван, гардеробна или помещение с висока температура и влажност на въздуха, поставете допълнителна изолация, за да предотвратите образуване на конденз.

⚠ ВНИМАНИЕ
 Когато има отвори, които не се използват, се уверете, че техните тапи са затегнати здраво.

4. ВАКУМИРАНЕ, ТЕСТ ЗА ХЕРМЕТИЧНОСТ И ПРОБНО ПУСКАНЕ В ДЕЙСТВИЕ

4-1. ВАКУМИРАНЕ И ТЕСТ ЗА ХЕРМЕТИЧНОСТ

- 1) Премахнете капачката на спирателния кран откъм газовата тръба на външното тяло. (Първоначално спирателните кранове са напълно затворени и покрити с капачки.)
- 2) Свържете манометричната станция и вакуум помпата към сервисния порт на спирателния кран откъм тръбата за газ на външното тяло.
- 3) Пуснете вакуум помпата. (Вакуумирайте за повече от 15 мин.)
- 4) Проверете вакуума с манометъра, след което затворете крана на манометричната станция, и спрете вакуум помпата.
- 5) Оставете всичко както е за една или две минути. Уверете се, че стрелката на манометъра остава в същата позиция. Уверете се, че показанието е $-0,101 \text{ MPa}$ [Gauge] (-760 mmHg).
- 6) Отстранете бързо крана на манометъра от сервисния порт на спирателния кран.
- 7) Напълно отворете всички спирателни кранове на тръбата за газ и тръбата за течност. Работа без пълно отваряне понижава производителността и причинява неизправности.
- 8) Обърнете внимание на 1-2. и заредете препоръчаното количество хладилен агент, ако е необходимо. Зареждайте бавно с течен хладилен агент. В противен случай, съставът на хладилния агент в системата може да се промени и да окаже негативно влияние върху работата на климатика.
- 9) Затегнете капачката на сервисния порт, за да постигнете начално състояние.
- 10) Проверка за течове



4-2. ЗАРЕЖДАНЕ С ГАЗ

Извършете зареждане с газ на тялото.

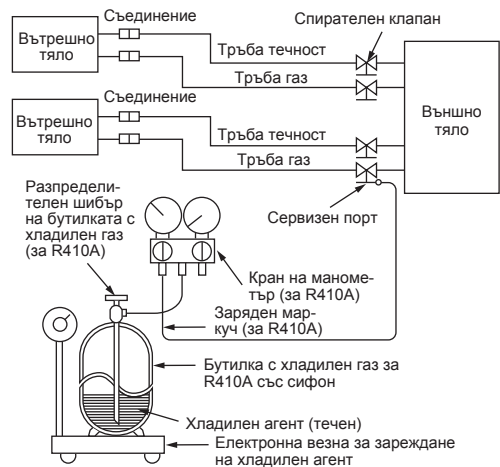
- 1) Свържете газовата бутилка със сервисния порт на спирателния клапан.
- 2) Извършете продухване на въздуха от тръбите (или маркуча), идващи от бутилката с хладилен агент.
- 3) Допълнете определеното количество хладилен агент, като в същото време климатикът работи в режим на охлаждане.

Забележка:

В случай на добавяне на хладилен агент, съобразете се с количеството, определено за хладилния цикъл.

ВНИМАНИЕ:

При зареждане на системата за хладилен агент с допълнителен хладилен агент, не забравяйте да използвате течен хладилен агент. Добавянето на хладилен газ може да промени състава на хладилния агент в системата и да повлияе на нормалната работа на климатика. Също така зареждайте техния хладилен агент бавно, в противен случай компресорът ще се изключи. За да се поддържа високо налягане на газовата бутилка, затоплете я с топла вода (при 40°C) през студения сезон. Но никога не използвайте открит огън или пара.

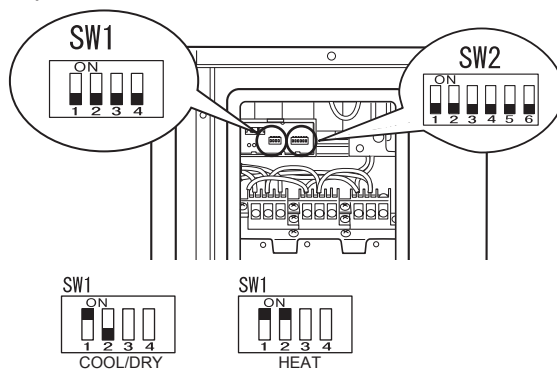


4-3. ЗАКЛЮЧВАНЕ НА РЕЖИМА НА РАБОТА НА КЛИМАТИКА (ОХЛАЖДАНЕ, ИЗСУШАВАНЕ, ОТОПЛЕНИЕ)

- Описание на функцията:
С тази функция, след като режимът на работа е заключен или в режим на охлаждане/изсушаване (COOL/DRY), или в режим на отопление (HEAT), климатикът работи само в този режим.
- * За активиране на тази функция е необходима промяна на настройката. Моля, обяснете тази функция на Вашите клиенти и ги попитайте дали искат да я използват.

[Как да се заключи режимът на работа]

- 1) Не забравяйте да изключите захранването на климатика, преди да направите настройката.
- 2) Задайте за „1“ на SW1 на платката на външния дисплей настройка ON, за да активирате тази функция.
- 3) За да заключите режима на работа в режим на охлаждане/изсушаване (COOL/DRY), задайте за „2“ на SW1 на платката на външния дисплей настройка OFF. За да заключите режима на работа в режим на отопление (HEAT), задайте за същия превключвател настройка ON.
- 4) Включете захранването на климатика.



4-4. НАМАЛЯВАНЕ НА ШУМА ПРИ РАБОТА НА ВЪНШНОТО ТЯЛО

- Описание на функцията:
С тази функция шумът от работата на външното тяло може да се намали чрез намаляване на работното натоварване, например през нощта в режим на охлаждане (COOL). Все пак, моля, имайте предвид, че ако тази функция е активирана, капацитетът на охлаждане и отопление може да се намали.
- * За активиране на тази функция е необходима промяна на настройката. Моля, обяснете тази функция на Вашите клиенти и ги попитайте дали искат да я използват.

[Как да се намали шумът при работа]

- 1) Не забравяйте да изключите захранването на климатика, преди да направите настройката.
- 2) Задайте за „3“ на SW1 на платката на външния дисплей настройка ON, за да активирате тази функция.
- 3) Включете захранването на климатика.



4-5. ПРОБНО ПУСКАНЕ В ДЕЙСТВИЕ

- Пробното пускане на вътрешните тела трябва да се извършва поотделно. Вижте ръководството за монтаж, доставено с вътрешното тяло, и се уверете, че всички тела работят правилно.
- Ако тестовото пускане на всички тела се извърши едновременно, неправилните връзки на тръбите за хладилен агент и кабелите между вътрешното/външното тяло няма да могат да бъдат открити. Поради това непременно извършете тестовото пускане самостоятелно за всяко тяло.

Уверете се, че е направено следното.

- Към тялото има захранване.
- Спирателните кранове са отворени.

Относно защитния механизъм за рестартиране

Когато компресорът спре, защитата от често стартиране работи, така че компресорът няма да функционира в продължение на 3 минути, за да предпази климатика.

4-6. ОБЯСНЕНИЕ ЗА ПОТРЕБИТЕЛЯ

- С помощта на РЪКОВОДСТВОТО ЗА ЕКСПЛОАТАЦИЯ разяснете на потребителя как да използва климатика (как да си служи с устройството за дистанционно управление, как да почиства въздушните филтри, как да поставя или изважда устройството за дистанционно управление от неговия държач, обяснете за почистването, предпазните мерки при работа и т.н.).
- Посъветвайте клиента да прочете внимателно РЪКОВОДСТВОТО ЗА ЕКСПЛОАТАЦИЯ.

5. ИЗПОМПВАНЕ

При преместване или извървяне на климатика съберете хладилния агент от системата, следвайки инструкциите долу, за да не се отдели хладилен агент в атмосферата.

- 1) Изключете прекъсвача.
- 2) Свържете манометричната станция към сервисния порт на спирателния кран откъм тръбата за газ на външното тяло.
- 3) Плътно затворете спирателния кран откъм на тръбата за течност на външното тяло.
- 4) Включете прекъсвача.
- 5) Стартирайте аварийната операция на охлаждане (COOL) на всички вътрешни тела.
- 6) Когато манометърът покаже 0,05 до 0 MPa [Gauge] (около 0,5 до 0 kgf/cm²), затворете напълно спирателния клапан откъм тръбата за газ на външното тяло и спрете работата. (Вижте ръководството за монтаж на вътрешното тяло относно метода за спиране на работата.)
* Ако в климатичната система е добавен твърде много хладилен агент, налягането може да не падне до 0,05 MPa [Gauge] (около 0,5 kgf/cm²) или функцията за защита може да се включи поради увеличаване на налягането във веригата под високо налягане на хладилния агент. Ако това се случи, използвайте устройство за събиране на хладилен агент, за да съберете целия хладилен агент в системата, и след това заредете отново системата с правилното количество хладилен агент, след като вътрешните и външните тела са били преместени.
- 7) Изключете прекъсвача. Отстранете манометъра и тръбите на хладилния агент.

⚠ ПРЕДУПРЕЖДЕНИЕ

Когато изпомпвате хладилния агент, спрете компресора, преди да откачите хладилните тръби.
Компресорът може да се спуска и да причини нараняване, ако чуждо вещество като въздух влезе в тръбите.

EC DECLARATION OF CONFORMITY
EG-KONFORMITÄTSEKTLÄRUNG
DÉCLARATION DE CONFORMITÉ CE
EG-CONFORMITEITSVERKLARING

DECLARACIÓN DE CONFORMIDAD CE
DICHIARAZIONE DI CONFORMITÀ CE
ΔΗΛΩΣΗ ΠΙΣΤΟΤΗΤΑΣ ΕΚ
DECLARAÇÃO DE CONFORMIDADE CE

EU-OVERENSSTEMMELSESEKTLÆRING
EG-DEKLARATION OM ÖVERENSSTÄMMELSE
EC UYGUNLUK BEYANI
ДЕКЛАРАЦИЯ СООТВЕТСТВИЯ НОРМАМ ЕС

CE-ERKLÆRING OM SAMSVAR
EY-VAATIMUSTENMUKAISUUSVAKUUTUS
ЕС ДЕКЛАРАЦИЯ ЗА СЪОТВЕТСТВИЕ

mitsubishi electric consumer products (thailand) co., ltd
amata nakorn industrial estate 700/406 moo 7, tambon don hua roh, amphur muang, chonburi 20000, thailand

hereby declares under its sole responsibility that the air conditioners and heat pumps described below for use in residential, commercial and light-industrial environments:
erklärt hiermit auf seine alleinige Verantwortung, dass die Klimaanlage und Wärmepumpen für das häusliche, kommerzielle und leicht-industrielle Umfeld wie unten beschrieben:
déclare par la présente et sous sa propre responsabilité que les climatiseurs et les pompes à chaleur décrits ci-dessous, destinés à un usage dans des environnements résidentiels, commerciaux et d'industrie légère :
verklaart hierbij onder eigen verantwoordelijkheid dat de voor residentiële, commerciële en licht-industriële omgevingen bestemde airconditioners en warmtepompen zoals onderstaand beschreven:
por la presente declara bajo su única responsabilidad que los acondicionadores de aire y bombas de calor descritas a continuación para su uso en entornos residenciales, comerciales y de industria ligera:
conferma con la presente, sotto la sua esclusiva responsabilità, che i condizionatori d'aria e le pompe di calore descritti di seguito e destinati all'utilizzo in ambienti residenziali, commerciali e semi-industriali:
με το παρόν πιστοποιεί με αποκλειστική της ευθύνη ότι οι τα κλιματιστικά και οι αντλίες θέρμανσης που περιγράφονται παρακάτω για χρήση σε οικιακό, επαγγελματικό και ελαφριάς βιομηχανίας περιβάλλοντα:
através da presente declara sob sua única responsabilidade que os aparelhos de ar condicionado e bombas de calor abaixo descritos para uso residencial, comercial e de indústria ligeira:
erklærer hermed under eneansvar, at de herunder beskrevne airconditionanlæg og varmepumper til brug i privat boligbyggeri, erhvervsområder og inden for let industri:
intyggar härmed att luftkonditioneringarna och värmepumparna som beskrivs nedan för användning i bostäder, kommersiella miljöer och lätta industriella miljöer:
ev, ticaret ve hafif sanayi ortamlarında kullanım amaçlı üretilen ve aşağıda açıklanan klima ve ısıtma pompalarıyla ilgili aşağıdaki hususları yalnızca kendi sorumluluğunda beyan eder:
настоящим заявляет и берет на себя исключительную ответственность за то, что кондиционеры и тепловые насосы, описанные ниже и предназначенные для эксплуатации в жилых помещениях, торговых залах и на предприятиях легкой промышленности:
erklærer et fullstendig ansvar for undernevnte klimaanlegg og varmepumper ved bruk i boliger, samt kommersielle og lettindustrielle miljøer:
vakuuttaa täten yksinomisella vastuullaan, että jäljempänä kuvatut asuinrakennuksiin, pienteollisuuskäyttöön ja kaupalliseen käyttöön tarkoitettut ilmastointilaitteet ja lämpöpumput:
декларира на своя собствена отговорност, че климатичите и термopомпите, описани по-долу, за употреба в жилищни, търговски и леки промишлени условия:

MITSUBISHI ELECTRIC, MXZ-2D33VA, MXZ-2D42VA2, MXZ-2D53VA2, MXZ-2D53VAH2

Note: Its serial number is on the nameplate of the product.
Hinweis: Die Seriennummer befindet sich auf dem Kennschild des Produkts.
Remarque : Le numéro de série de l'appareil se trouve sur la plaque du produit.
Opmerking: het serienummer staat op het naamplaatje van het product.
Nota: El número de serie se encuentra en la placa que contiene el nombre del producto.
Nota: il numero di serie si trova sulla targhetta del prodotto.
Σημείωση: Ο σειριακός του αριθμός βρίσκεται στην πινακίδα ονόματος του προϊόντος.
Nota: o número de série encontra-se na placa que contém o nome do produto.

Bemærk: Serienummeret står på produktets fabriksskilt.
Obs: Serienumret finns på produktens namnplåt.
Not: Seri numaras ürünün isim plakasında yer alır.
Примечание: серийный номер указан на паспортное табличке изделия.
Merk: Serienummeret befinner seg på navneplaten til produktet.
Huomautus: Sarjanumero on merkitty laitteen arvokilpeen.
Забелешка: Серийният му номер е на табелката на продукта.

Directives	Direktiver
Richtlijnen	Direktiv
Directives	Direktifler
Richtlijnen	Директивы
Directivas	Direktiver
Direttive	Direktivit
Οδηγίες	Директиви
Directivas	

2014/35/EU: Low Voltage Directive
2006/42/EC: Machinery Directive
2014/30/EU: Electromagnetic Compatibility Directive
2009/125/EC: Energy-related Products Directive and Regulation (EU) No 206/2012
2011/65/EU: RoHS Directive

Issued:
THAILAND

20 Apr. 2016

Akira HIDAHA
Manager, Quality Assurance Department

Importer:

Mitsubishi Electric Europe B.V.
Capronilaan 46, 1119 NS, Schiphol Rijk, The Netherlands

French Branch
25, Boulevard des Bouvets, 92741 Nanterre Cedex, France

German Branch
Mitsubishi-Electric-Platz 1, 40882 Ratingen, Germany

Belgian Branch
Autobaan 2, 8210 Loppem, Belgium

Irish Branch
Westgate Business Park, Ballymount, Dublin 24, Ireland

Italian Branch
Centro Direzionale Colleoni, Palazzo Sirio-Ingresso 1 Viale Colleoni 7, 20864 Agrate Brianza (MB), Italy

Norwegian Branch
Gneisveien 2D, 1914 Ytre Enebakk, Norway

Portuguese Branch
Avda. do Forte, 10, 2799-514, Carnaxide, Lisbon, Portugal

Spanish Branch
Carretera de Rubi 76-80 - Apdo. 420 08173 Sant Cugat del Valles (Barcelona), Spain

Scandinavian Branch
Hammarbacken 14, P.O. Box 750 SE-19127, Sollentuna, Sweden

UK Branch
Travellers Lane, Hatfield, Herts., AL10 8XB, England, U.K.

Polish Branch
Krakowska 50, PL-32-083 Balice, Poland

MITSUBISHI ELECTRIC TURKEY ELEKTRİK ÜRÜNLERİ A.Ş.
Şerifali Mah. Kale Sok. No: 41 34775 Ümraniye, İstanbul / Turkey

MITSUBISHI ELECTRIC CORPORATION

HEAD OFFICE: TOKYO BUILDING, 2-7-3, MARUNOUCHI, CHIYODA-KU, TOKYO 100-8310, JAPAN