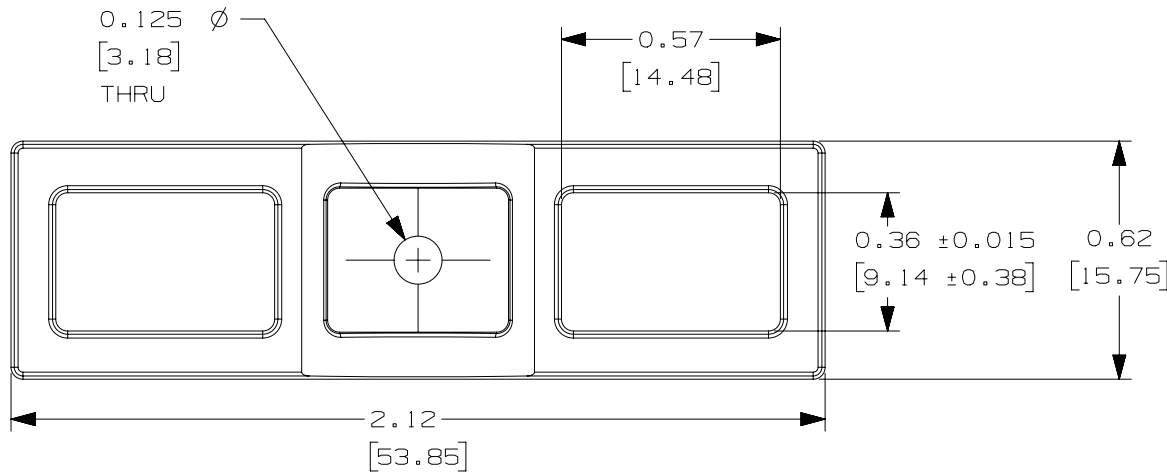


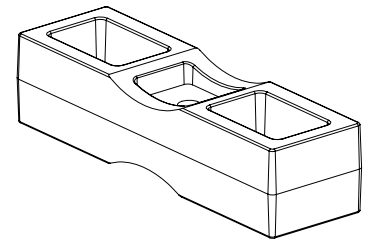
THIS COPY IS PROVIDED ON A RESTRICTED BASIS AND IS NOT TO BE USED IN ANY WAY DETRIMENTAL TO THE INTERESTS OF PANDUIT CORP.



PANDUIT PART NUMBER*	WEIGHT		USE WITH ANY OF THESE CABLE TIE	QTY.
	lbs / 100 pcs.	(g) / 100 pcs.		
CSH-***	1.52	[690]	S, H	500

NOTES:

- \*1. SEE CURRENT PRICE SHEET FOR PART NUMBER SUFFIX DESIGNATION OF PACKAGE SIZE.
- 2. CABLE TIE CROSS-SECTION CODE S-STANDARD H-HEAVY
- 3. MATERIAL - 20 PIGMENTED BLACK  
- 0 WEATHER RESISTANT BLACK



FULL SCALE

REV	DATE	BY	CHK	APR	DESCRIPTION	ECN
3	3/9/2020	RVU	DJW	JHAC	REBUILD MODEL AND RECREATED DRAWINGS. MISSING DIMENSIONS. ADDED QTY. TABLE.	GAECN05595
2	08/18/01	LGG			UPDATED FOR WEB (ADDED "REF").	GB0239ES
1	10/20/97	JAD			REVISED GEOMETRY TO REFLECT CORRECT GEOMETRICAL CONFIGURATION.	GB0239ES
R	1/23/97	CGSM			INITIAL RELEASE.	GB0239ES

TITLE <b>CSH CABLE SPACER</b> CUSTOMER DRAWING					
ITEM REVISION NAME G03597FE/01					
DATASET FILE NAME G03597FE_DC_GB0239ES_03/01					
UNLESS OTHERWISE SPECIFIED, DIMENSIONAL TOLERANCES ARE: IN [mm] .x ± 0.05 [1.3] .xxx ± 0.010 [0.25] .xx ± 0.02 [0.5] ANGLES ± 5 °					
THIRD ANGLE PROJECTION					
DRAWN BY CGSM		DATE 1/23/97		CHK JHAC	
SCALE NTS		DRAWING NUMBER: SHT 1 OF 1		SIZE A	

**PANDUIT**

MATERIAL:  
**NYLON 6/6**

DRAWING NUMBER:  
GB0239ES

D10100DA/20