



Product designation				Auxiliary contactor
Product type designation				BF00
Contact characteristics				
Number of poles	Nr.			4
Rated insulation voltage U_i IEC/EN	V			690
Rated impulse withstand voltage U_{imp}	kV			6
Operational frequency	min	Hz	25	
	max	Hz	400	
IEC Conventional free air thermal current I_{th}	A			10
Protection fuse	gG (IEC)		A	25
	Tightening torque for terminals			
	min	Nm	1.5	
	max	Nm	1.8	
	min	lbin	1.1	
	max	lbin	1.5	
Tightening torque for coil terminal	min	Nm	0.8	
	max	Nm	1	
	min	lbin	0.8	
	max	lbin	0.74	
Max number of wires simultaneously connectable	Nr.			2
Conductor section	AWG/Kcmil			
			max	10
Flexible w/o lug conductor section	min	mm ²	1	
	max	mm ²	6	
Flexible c/w lug conductor section	min	mm ²	1	
	max	mm ²	4	
Flexible with insulated spade lug conductor section	min	mm ²	1	
	max	mm ²	4	
Power terminal protection according to IEC/EN 60529				IP20 when properly wired
Mechanical features				
Operating position	normal allowable		Vertical plan $\pm 30^\circ$	
	Fixing			Screw / DIN rail 35mm
Weight			g	360

Conductor section

AWG/kcmil conductor section

max 10

Auxiliary contact characteristics

Thermal current I_{th} A 10

IEC/EN 60947-5-1 designation A600 - P600

Operating current AC15

230V	A	3
400V	A	1.9
500V	A	1.4

Operating current DC12

110V	A	5.7
------	---	-----

Operating current DC13

24V	A	5.7
48V	A	2.9
60V	A	2.3
110V	A	1.25
125V	A	1.1
220V	A	0.55
600V	A	0.2

Operations

Mechanical life cycles 20000000

Safety related data

Performance level B10d according to EN/ISO 13489-1

mechanical load cycles 20000000

Mirror contacts according to IEC/EN 60947-4-1 YES

EMC compatibility yes

AC coil operating

Rated AC voltage at 50/60Hz V 48

AC operating voltage

of 50/60Hz coil powered at 50Hz
pick-up

min	%Us	80
max	%Us	110

drop-out

min	%Us	20
max	%Us	55

of 50/60Hz coil powered at 60Hz
pick-up

min	%Us	80
max	%Us	110

drop-out

min	%Us	20
max	%Us	55

AC average coil consumption at 20°C

of 50/60Hz coil powered at 50Hz

in-rush	VA	75
holding	VA	9

of 50/60Hz coil powered at 60Hz

in-rush	VA	70
holding	VA	6.5

of 60Hz coil powered at 60Hz

in-rush	VA	75
---------	----	----

	holding	VA	9
Dissipation at holding $\leq 20^{\circ}\text{C}$ 50Hz		W	2.5

Max cycles frequency

Mechanical operation		cycles/h	3600
----------------------	--	----------	------

Operating times

Average time for U_s control
in AC

Closing NO	min	ms	8
	max	ms	24
Opening NO	min	ms	10
	max	ms	20
Closing NC	min	ms	9
	max	ms	25
Opening NC	min	ms	9
	max	ms	15

UL technical data

General USE

Auxiliary contacts

AC current	A	10
------------	---	----

Contact rating of auxiliary contacts according to UL		A600 - P600
--	--	-------------

Ambient conditions

Temperature

Operating temperature

min	$^{\circ}\text{C}$	-50
max	$^{\circ}\text{C}$	70

Storage temperature

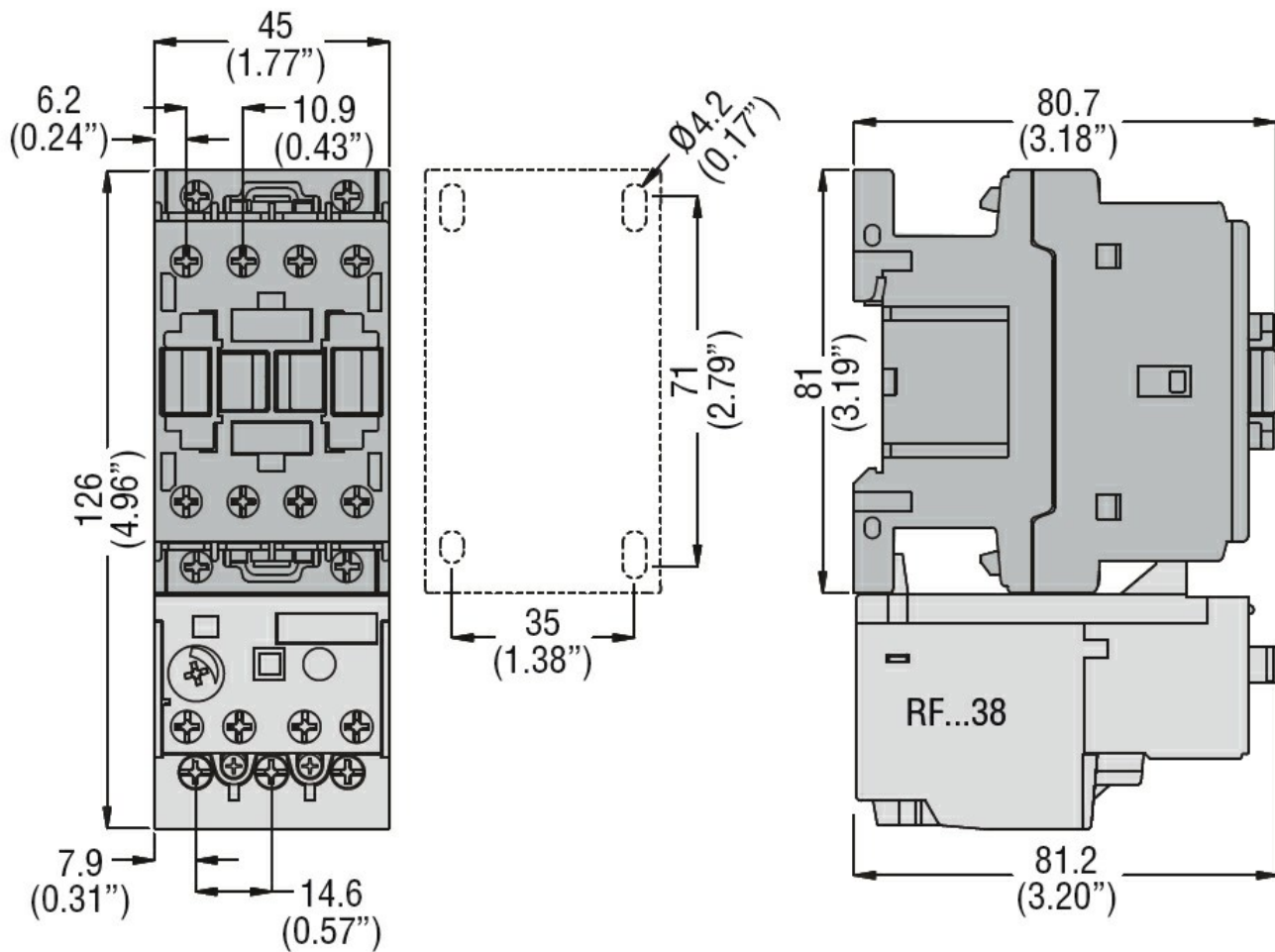
min	$^{\circ}\text{C}$	-60
max	$^{\circ}\text{C}$	80

Max altitude		m	3000
--------------	--	---	------

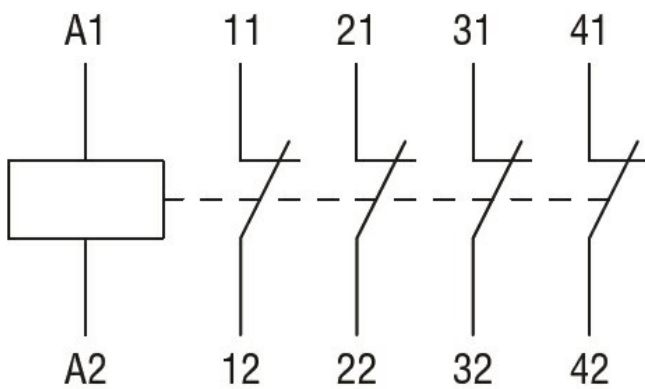
Resistance & Protection

Pollution degree		3
------------------	--	---

Dimensions



Wiring diagrams



Certifications and compliance

Compliance

CSA C22.2 n° 60947-1
CSA C22.2 n° 60947-5-1
IEC/EN 60947-1
IEC/EN 60947-5-1
UL 60947-1
UL 60947-5-1

Certificates

CCC
cULus
EAC

ETIM classification

ETIM 8.0

EC000196 -
Contactor relay