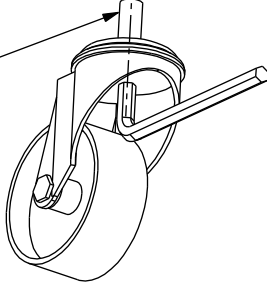
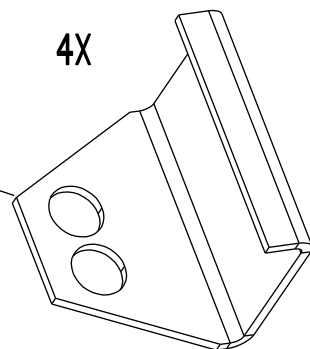


12 ± 1 Nm



4X



ENNA05349-TB