

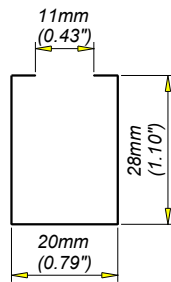
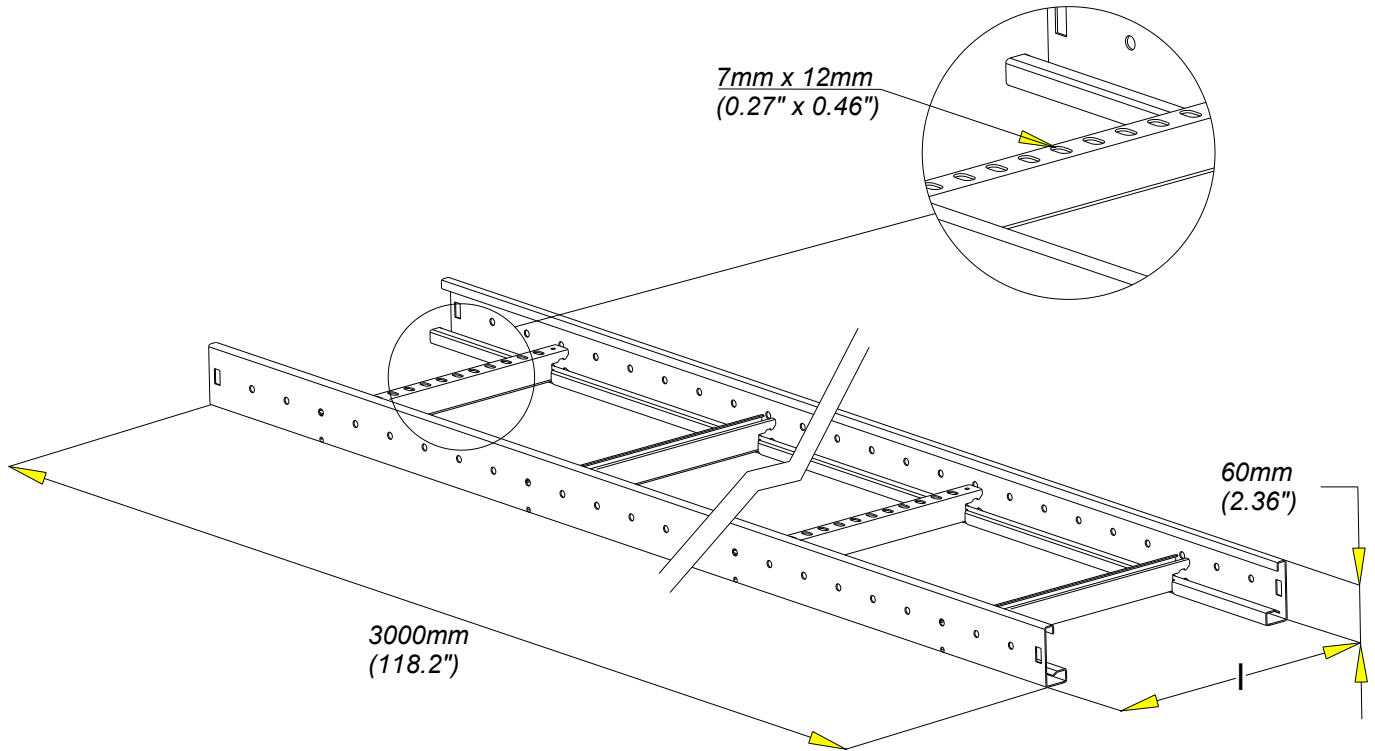
EAC GLO4M60
EAC GLO4M60

GC
HDG

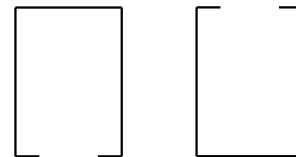
legrand | CABLE
MANAGEMENT

FT0642-3

11 13



Version moyenne
(Medium version)



Renforts alternés
(reinforcement alternated)

REF	CODE	l (mm)	l (inch)	Poids (kg)	Weight (lb)
GLO4M60/3/200	83 614 32	200	7,88	9,08	20,10
GLO4M60/3/300	83 614 33	300	11,82	9,90	21,92
GLO4M60/3/400	83 614 34	400	15,76	10,61	23,49
GLO4M60/3/500	83 614 35	500	19,70	11,40	25,24
GLO4M60/3/600	83 614 36	600	23,64	12,60	27,90

	NORMES / STANDARD
MATIERE / MATERIAL S 235 JR FN KPN	EN 10 025
PROTECTION / COATING GC / HDG	EN ISO 1461
Epaisseur / Thickness 1,25mm / 0.049"	