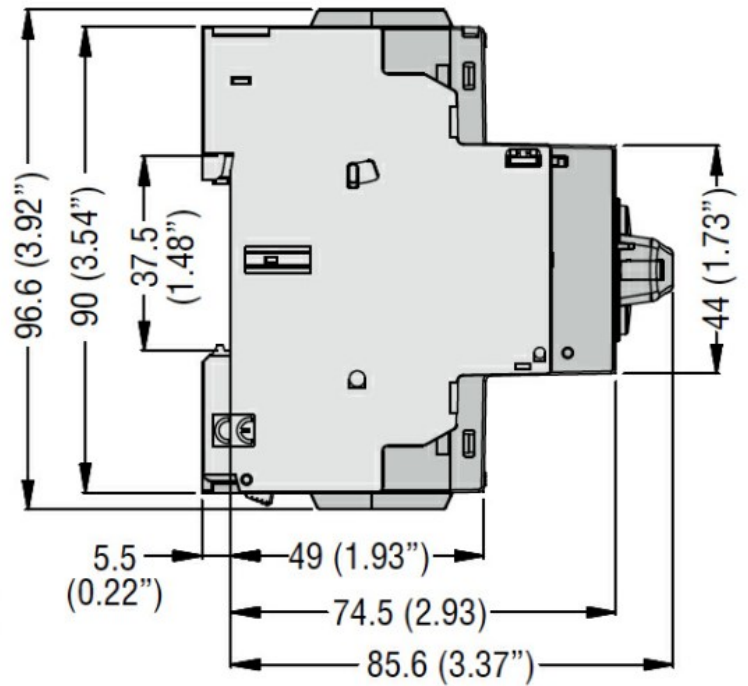
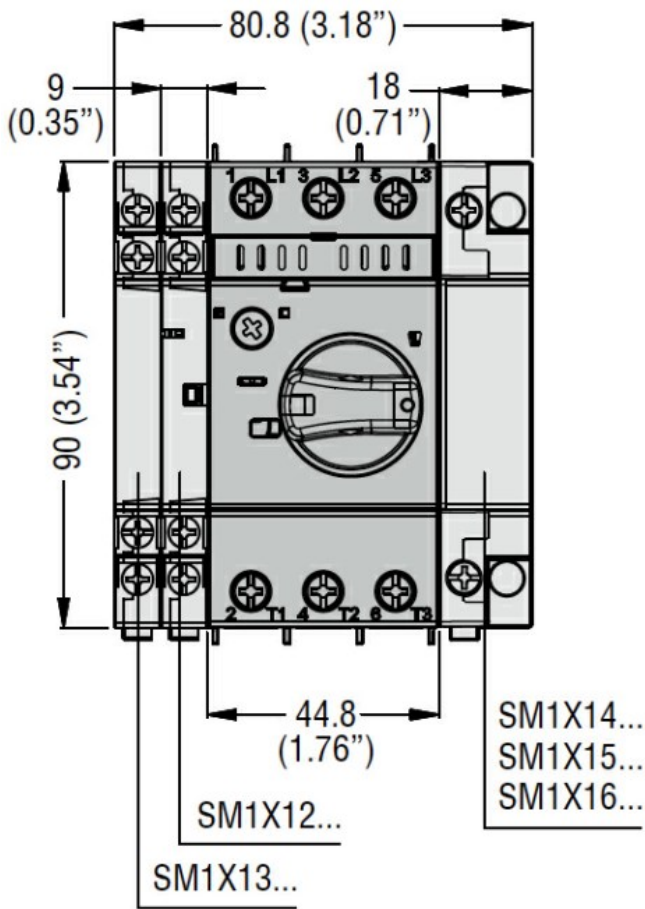


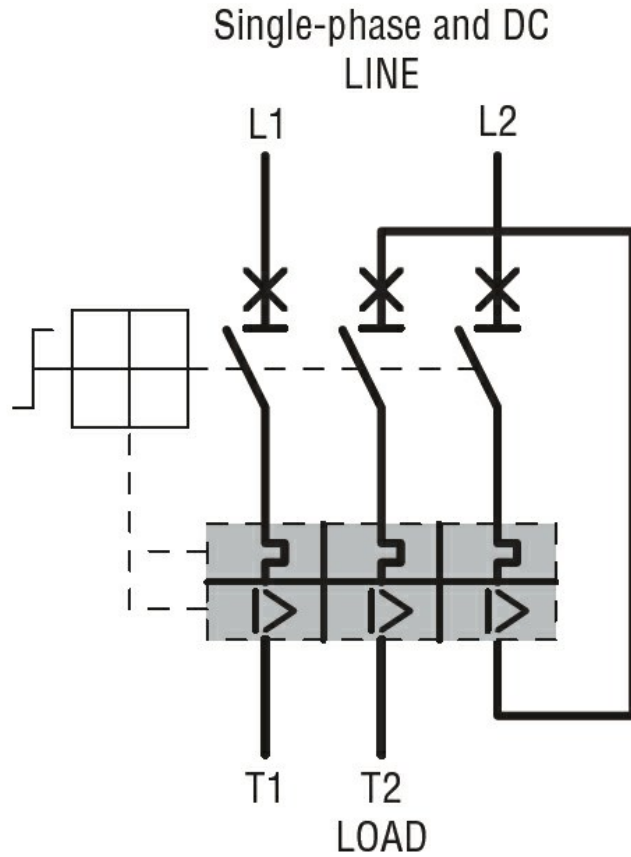
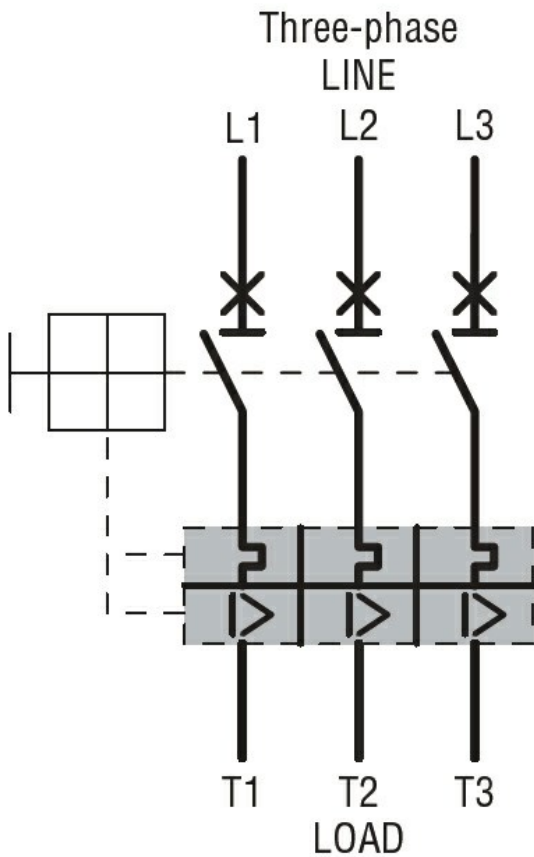


Product designation	Motor protection circuit breaker SM1RM		
Product type designation	SM1RM		
<b>Electrical features</b>			
Magnetic protection	yes		
Thermal protection	no		
Rated insulation voltage $U_i$ IEC/EN	V	690	
Rated impulse withstand voltage $U_{imp}$	kV	6	
Rated frequency	Hz	50/60	
Rated current ( $I_n$ )	A	18	
Magnetic tripping	13 x $I_n$		
Power dissipation per pole	min	W	1.34
	max	W	2.57
Operational short-circuit current breaking capacity ( $I_{cs}$ ) at AC	230V	kA	100
	400V	kA	100
	440V	kA	5
	500V	kA	5
	690V	kA	2
Maximum short-circuit current breaking capacity ( $I_{cu}$ ) at AC	230V	kA	100
	400V	kA	100
	440V	kA	10
	500V	kA	10
	690V	kA	4
IEC Utilization category	A		
<b>Operations</b>			
Mechanical life	cycles	100000	
Electrical life	cycles	100000	
<b>Mechanical features</b>			
Tightening torque for terminals	min	Nm	2.5
	max	Nm	3
	min	lbin	22
	max	lbin	26.5
Conductor section	AWG/Kcmil	min	16
		max	8
Flexible w/o lug conductor section	min	mm <sup>2</sup>	1
	max	mm <sup>2</sup>	10
Flexible c/w lug conductor section	min	mm <sup>2</sup>	1

		max	mm <sup>2</sup>	10
Flexible with insulated spade lug conductor section		min	mm <sup>2</sup>	1
		max	mm <sup>2</sup>	10
Screwdriver				PH2
Cable stripping length				
	main circuit	mm		12
<b>Ambient conditions</b>				
Temperature				
	Operating temperature			
		min	°C	-20
		max	°C	+60
	Storage temperature			
		min	°C	-50
		max	°C	+80
	Compensation temperature			
		min	°C	-20
		max	°C	+50
Max altitude			m	3000
Operating position		allowable		Any
Fixing				Screw / DIN rail 35mm
Weight			g	390
<b>UL technical data</b>				
Motor Disconnect				
		at 480V	kA	30
		at 600V	kA	30
		protection		200A class J
Group Motor Installation				
		at 480V	kA	30
		at 600V	kA	30
		protection		200A class J
Tap Conductor Protection				
		at 480Y/277V	kA	65
<b>Dimensions</b>				



**Wiring diagrams**



**Certifications and compliance**

Certifications

CSA C22.2 n° 60947-4-1

IEC/EN 60947-1

IEC/EN 60947-2

IEC/EN 60947-4-1

UL60947-4-1

Compliance

cULus

EAC

ETIM classification

ETIM 8.0

EC000074 -  
Motor protection  
circuit-breaker