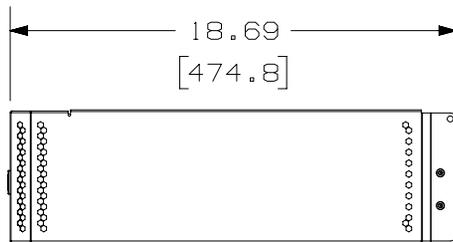
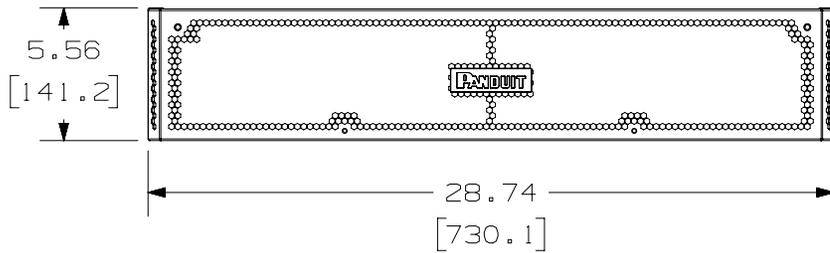
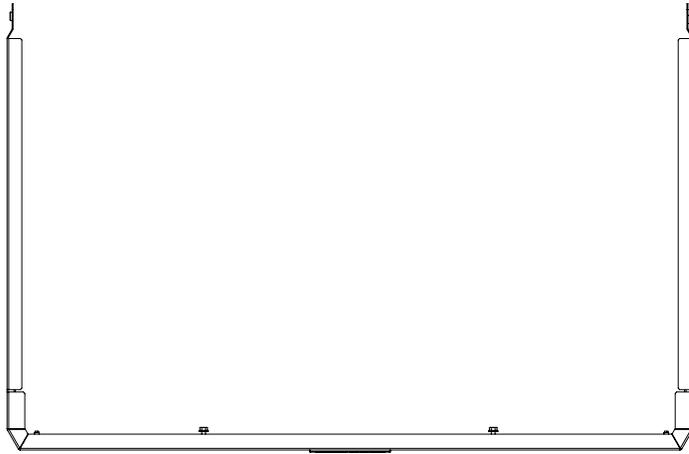


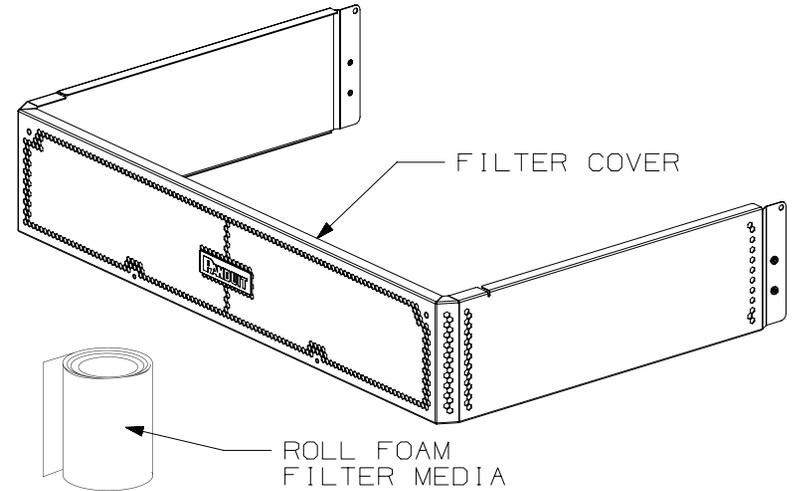
THIS COPY IS PROVIDED ON A RESTRICTED BASIS AND IS NOT TO BE USED IN ANY WAY DETRIMENTAL TO THE INTERESTS OF PANDUIT CORP.

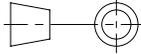
NOTES:

1. VISIT OUR ON-LINE CATALOG AT WWW.PANDUIT.COM FOR A LIST OF CURRENT PARTS APPLICABLE FOR USE WITH THIS PRODUCT.
2. DIMENSIONS IN [] ARE METRIC.
3. ALL MATERIALS AND COMPONENTS USED MEET THE MATERIAL RESTRICTIONS OF RoHS (EUROPEAN DIRECTIVE 2011/65/EU ON THE RESTRICTION OF HAZARDOUS SUBSTANCES) AS PROPOSED BY THE RoHS TECHNICAL ADAPTATION COMMITTEE.
4. WEIGHT: 3 lb [1.4 kg]
5. PART INCLUDES:
 - (1) FILTER COVER
 - (1) ROLL FOAM FILTER MEDIA
 - (4) #10-32 SCREWS
 - (2) M4 HEX NUTS



SIDE VIEW



PART NUMBER		WME9BL-FKIT		
TITLE				
9RU WALL MOUNT ENCLOSURE FILTER KIT				
CUSTOMER DRAWING				
ITEM REVISION NAME		02164NAC/02		
DATASET FILE NAME		02164NAC_DC/02A		
		THIRD ANGLE PROJECTION		
MATERIAL		STEEL, POLYURETHANE FOAM		
DRAWN BY		DATE	CHK	SCALE
T WV		5-10-21	MDJR	NONE
DRAWING NUMBER		02164NAC-DC		
REV		DATE	BY	CHK
00A		5-10-21	T WV	MDJR
DESCRIPTION		SHEET 1 OF 1		
ECN		A		

02A	8-31-21	MDJR	KZU	BETL	REMOVED WASHERS, LOCK NUTS AND ADDED HEX NUTS IN NOTE 5.	02164NAC-DC
00A	5-10-21	T WV	MDJR	BETL	INITIAL RELEASE	02164NAC-DC
REV	DATE	BY	CHK	APR	DESCRIPTION	ECN