



Product designation

Product type designation

Signal tower  
Ø70mm/2.75"  
8LT7C -  
Connection  
modules

**General characteristics**

Diameter	mm - inch	70 / 2.75
Colour		Black
IEC degree of protection		IP65

**Mechanical features**

Tightening torque for terminals max	Nm	0.5
Terminals screw		Screw clamp terminals

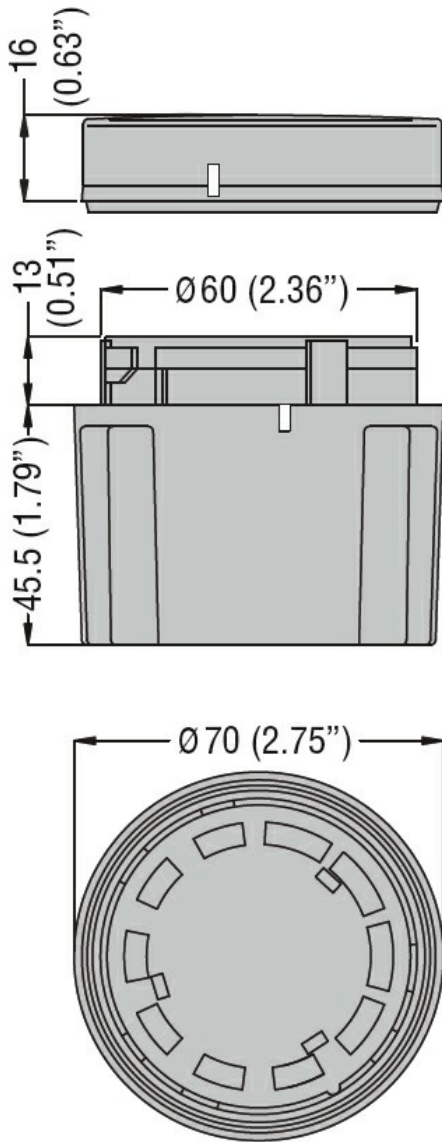
Conductor section	AWG/Kcmil		
		max	16
	IEC		
		max	mm <sup>2</sup> 1.5

Weight		g	110
--------	--	---	-----

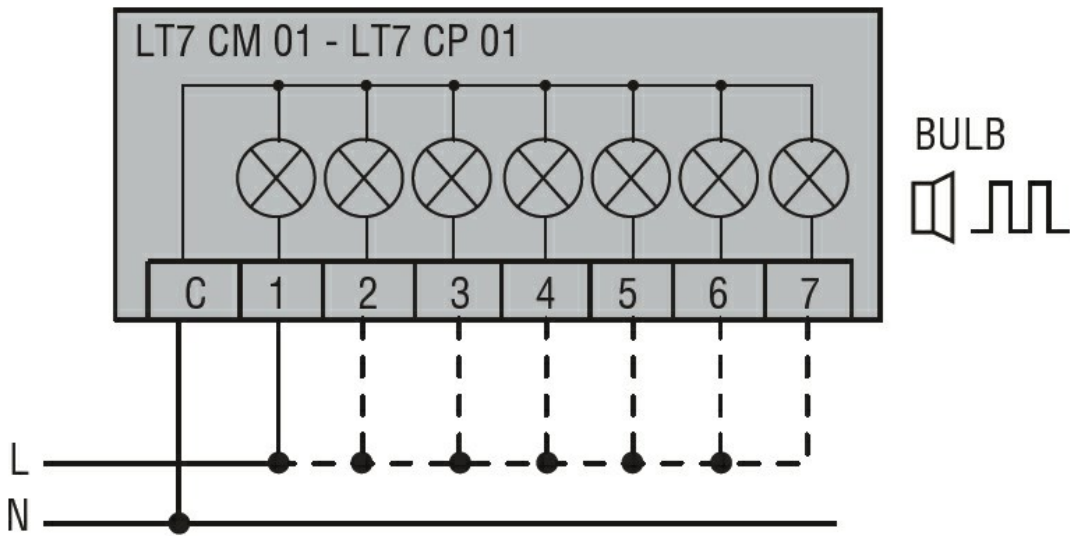
**Ambient conditions**

Temperature	Operating temperature			
		min	°C	-20
		max	°C	+50

**Dimensions**



### Wiring diagrams



Connect terminals C and 1 as indicated to power the first module. If other modules are fitted, the respective terminals must be connected accordingly.

**Certifications and compliance**

Compliance

CSA C22.2 n°14

IEC/EN 60947-1

IEC/EN 60947-5-1

UL508

Certificates

cULus

EAC

**ETIM classification**

ETIM 8.0

EC001152 -  
Connection  
module for signal  
tower