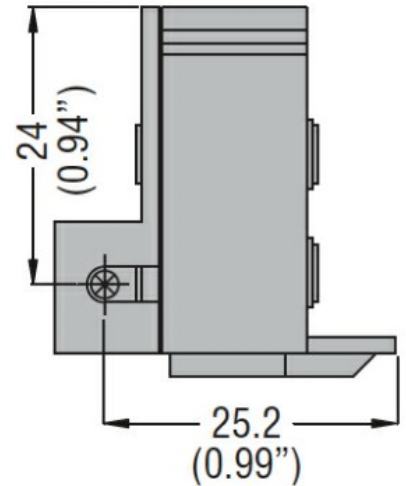
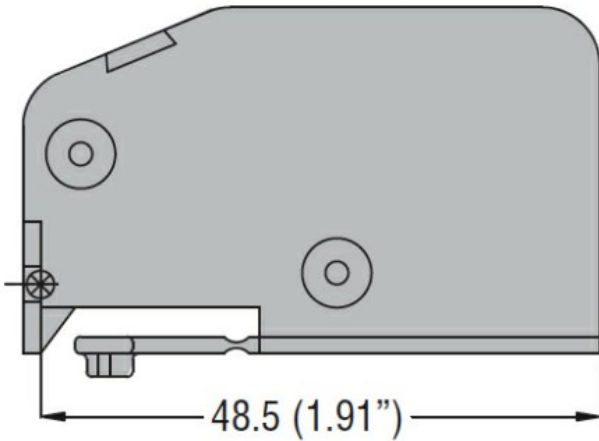




Dimensions



Wiring diagrams

Auxiliary contacts
GEX10 11 - GEX10 11M - GEX10 11N



Certifications and compliance

Compliance

IEC/EN 60947-1
IEC/EN 60947-3

Certifications

EAC

ETIM classification

ETIM 8.0

EC000041 -
Auxiliary contact
block