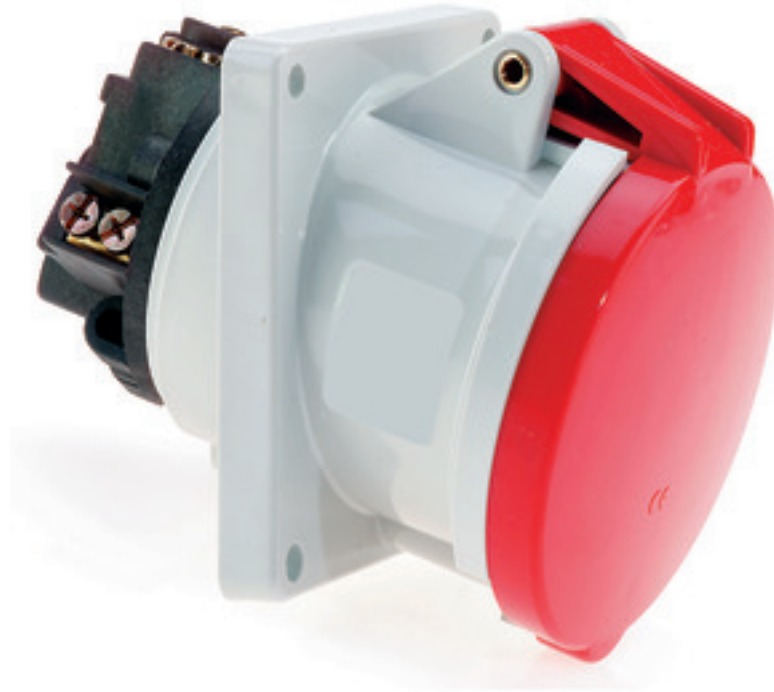


panel mounting socket outlet, angled - with pilot contact



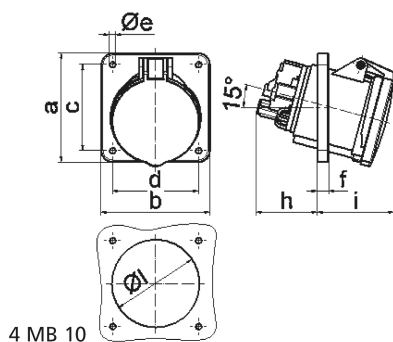
Product description	
BALS-Prd.-Nr	1201-P
EAN	4024941855037
Product category	GT panel mounting socket outlet, angled
Current	63A
Number of poles	4p
Number of poles	3P+PE
Position of earth contact	6 h
Voltage	380 up to 415V
Frequency	50 and 60Hz

Product description	
Protection degree	IP44
Colour code	red RAL 3000
Colour of appliance	Hinged lid red RAL 3000, Enclosure grey RAL 7035
Connection design	kontex contact
Maximum conductor size	25.0 qmm
Cable entry	null
Height	119mm
Width	114mm
Depth	148mm
Flange size vertical	114mm
Flange size horizontal	114mm
Drill hole distance vertical	90mm
Drill hole distance horizontal	90mm
Material of enclosure	Polyamide
Contact	The contact carrier is made of high temperature resistant material, the contacts are brass nickel plated

Additional technical information	
	with pilot contact, The inclination is 15°

Logistics data	
Weight/pcs	0.503 kg / Piece

Logistics data	
Packaging	Bag
Content amount	1 ST
EAN	4024941855037
Length	148 mm
Width	114 mm
Height	119 mm
Weight	0.504 kg
Volume	2,007.768 ccm
Packaging	Carton
Content amount	5 ST
EAN	4024941855044
Length	295 mm
Width	185 mm
Height	215 mm
Weight	2.679 kg
Volume	9,975 ccm



Ampere	63	63	63			
Polzahl	3	4	5			
a	114,0	114,0	114,0			
b	114,0	114,0	114,0			
c	90,0	90,0	90,0			
d	90,0	90,0	90,0			
e ø	6,5	6,5	6,5			
f	12,0	12,0	12,0			
h	65,0	65,0	65,0			
i	81,0	81,0	81,0			
l	92,0	92,0	92,0			
Leiter mm ² min	6	6	6			
Leiter mm ² max	25	25	25			