



Current  
transformers  
DM3TP1000  
Solid-core

Product designation

Product type designation

Type of CT

**Current inputs**

Primary current $I_{pn}$ (/5)	A	1000
Operational frequency	min	Hz 50
	max	Hz 60
Secondary output current	A	5
Overload withstand $I_{pn}$	%	120
Burden	cl. 0.5s	VA 5
	cl. 0.5	VA 10

**Insulations**

Rated insulation voltage $U_i$ IEC/EN	V	720
IEC rated short-time thermal current $I_{th}$	$I_{th}$ for s	40...60
IEC rated dynamic current $I_{dyn}$	$I_{th}$ for s	2.5
Insulation dry type		Class E

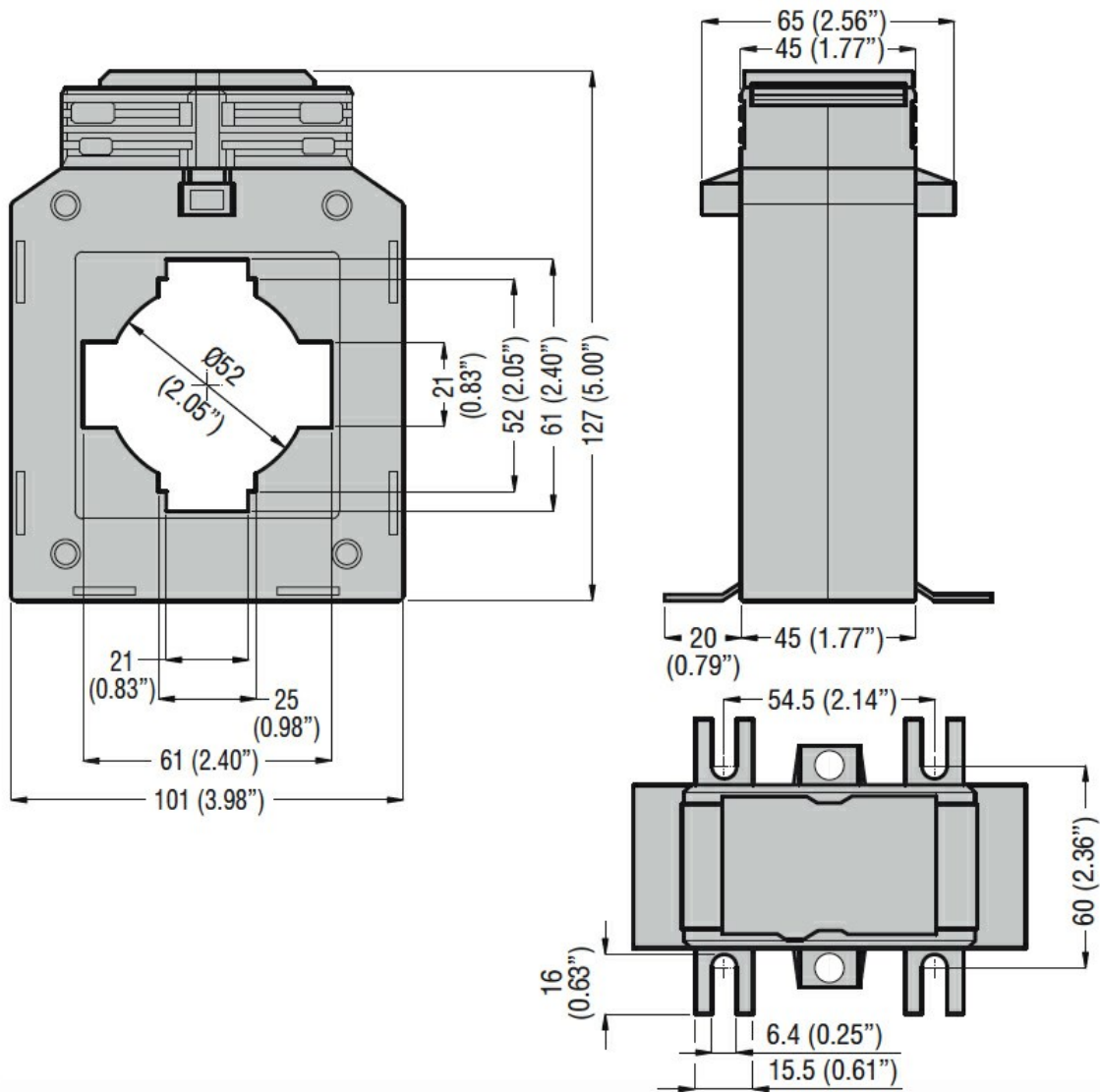
**Mechanical features**

Terminals type	Screw
Fixing	DIN rail or by Screw
Weight	g 700

**Ambient conditions**

Temperature	Operating temperature	min	°C	-25
		max	°C	+50
	Storage temperature	min	°C	-40
		max	°C	+80
Relative humidity		%	90	
Protection degree			IP30	

**Dimensions**



### Certifications and compliance

#### Certifications

IEC/EN/BS 61869-1

IEC/EN/BS 61869-2

#### Compliance

EAC

### ETIM classification

EC000066 - Power contactor, AC switching

□