

Part number

CJK 8IFT



Female RJ45 connector, CJK adapters series, size "21.21", IDC, contact coding according to T568A

Product description

Product type	Insert
Series	CJK adapters
Connection type	RJ45
Gender	Female
N. of poles	1 seat for RJ45 connector
Size	Size "21.21"
Specification	IDC RJ45, Cat. 6A, female IDC insert according to T568A

Further technical details

Weight	33,00 g
Operating temperature range (min, max)	-40°C...+70°C

Material properties

RoHs conformity	Compliant with exemption 6(c): copper alloy containing up to 4% lead by weight
China RoHs - EFUP	50
REACH SVHC substances	Yes Lead
SCIP number	5a97d67d-dd49-45fe-94c0-411f951ef5ee

Approvals / Standards

UL	ECBT2
cUL	ECBT8

General ordering information

EAN13 code	8015747223652
eCl@ss 8.1	27440205
ETIM 7.0	EC000438

Packaging Information

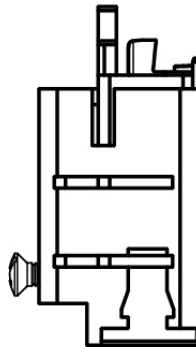
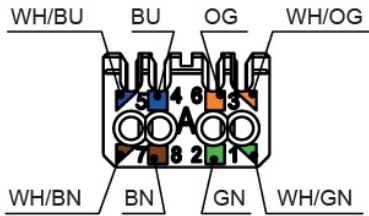
Sub-packaging weight	0,03 kg
Sub-packaging description	Plastic bag
Sub-packaging quantity	1 Pcs
Sub-packaging EAN barcode	8015747223676

Part number CJK 8IFT

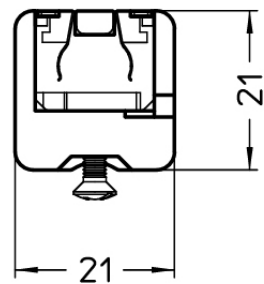
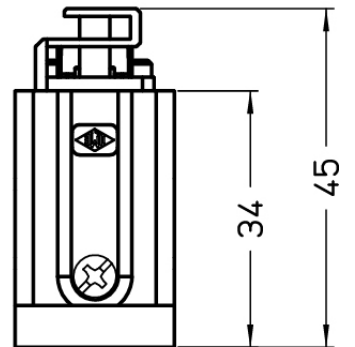
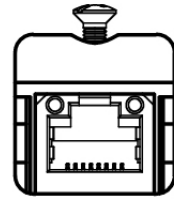


Catalogue drawings

PIN assignment T568A
according to TIA/EIA 568-C.2



Catalogue drawings



Notes

Dimensions shown in mm are not binding and may be changed without notice.