

LL3-DB08

LL3

FIBERS

SICK
Sensor Intelligence.



Ordering information

Type	Part no.
LL3-DB08	5326004

Other models and accessories → www.sick.com/LL3

Detailed technical data

Features

Device type	Fibers
Functional principle	Proximity system
For fiber-optic sensor	GLL170(T), WLL180, WLL80
Fiber length	2,000 mm
Fiber material	Polymethylmethacrylat (PMMA)
Jacket material	Polyethylen (PE)
Fiber head material	Copper-zinc alloy (CuZn)
Outer diameter, fiber-optic cable connection	1 mm
Fiber-optic cable cuttable	✓
Thread diameter (housing)	M4
Fiber-optic head design	Threaded sleeve, Long end sleeve, Bendable sleeve
Fiber arrangement	Monofiber
Core structure	2 x Ø 0,5 mm Monofiber
Angle of dispersion < 60°	No
Compatibility with infrared light (1,450 nm)	No
Diameter/thread size from 2 mm taper	≥ 1.48 mm
Length of taper	≥ 35 mm
Diameter of taper	≥ 1.48 mm
Highly flexible/elastic fibers (bend radius 1–4 mm)	No
Adapter end sleeves required	Yes
Angle of dispersion	60°
Integrated lens	No
Minimum bend radius of end sleeve	10 mm
Minimal object diameter	0.02 mm ¹⁾
Included with delivery	Mounting, 2 x M4 hexagon nut, 1 x washer, adapter sleeves, BF-WLL160-10 (1.0 mm) adapter sleeves, FC fiber cutter (5304141)
Compatibility tip adapters	No

¹⁾ Minimum detectable object was determined at optimum measuring distance and optimum setting.

Mechanics/electronics

Bend radius, fibre-optic cable	25 mm
---------------------------------------	-------

Bend radius, end sleeve	10 mm
Ambient operating temperature	-40 °C ... +70 °C

Classifications

ECLASS 5.0	27270905
ECLASS 5.1.4	27270905
ECLASS 6.0	27270905
ECLASS 6.2	27270905
ECLASS 7.0	27270905
ECLASS 8.0	27270905
ECLASS 8.1	27270905
ECLASS 9.0	27270905
ECLASS 10.0	27270905
ECLASS 11.0	27270905
ECLASS 12.0	27270905
ETIM 5.0	EC002651
ETIM 6.0	EC002651
ETIM 7.0	EC002651
ETIM 8.0	EC002651
UNSPSC 16.0901	39121528

Sensing ranges with WLL80

Operating mode 16 µs	35 mm
Operating mode 70 µs	110 mm
Operating mode 250 µs	160 mm
Operating mode 500 µs	185 mm
Operating mode 1 ms	205 mm
Operating mode 2 ms	260 mm
Operating mode 8 ms	350 mm

Sensing ranges with WLL180T

Operating mode 16 µs	17 mm
Operating mode 70 µs	55 mm
Operating mode 250 µs	107 mm
Operating mode 2 ms	200 mm
Operating mode 8 ms	220 mm
Note	Sensing ranges related to fiber-optic sensors with type of light: visible red light

Sensing ranges with GLL170

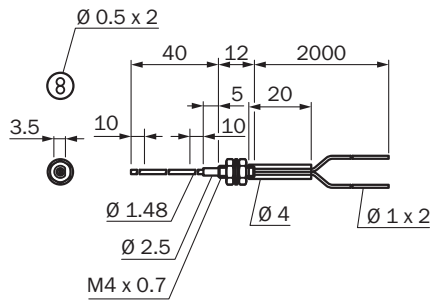
Operating mode 250 µs	60 mm
------------------------------	-------

Sensing ranges with GLL170T

Operating mode 50 µs	30 mm
Operating mode 250 µs	70 mm

Dimensional drawing (Dimensions in mm (inch))

LL3-DB08



SICK AT A GLANCE

SICK is one of the leading manufacturers of intelligent sensors and sensor solutions for industrial applications. A unique range of products and services creates the perfect basis for controlling processes securely and efficiently, protecting individuals from accidents and preventing damage to the environment.

We have extensive experience in a wide range of industries and understand their processes and requirements. With intelligent sensors, we can deliver exactly what our customers need. In application centers in Europe, Asia and North America, system solutions are tested and optimized in accordance with customer specifications. All this makes us a reliable supplier and development partner.

Comprehensive services complete our offering: SICK LifeTime Services provide support throughout the machine life cycle and ensure safety and productivity.

For us, that is “Sensor Intelligence.”

WORLDWIDE PRESENCE:

Contacts and other locations –www.sick.com