

Part number

# MZ7P 15 LS25



Surface mounting housing, CZ7 series, with 1 lever, M25 cable entry, size "49.16", with metal cover

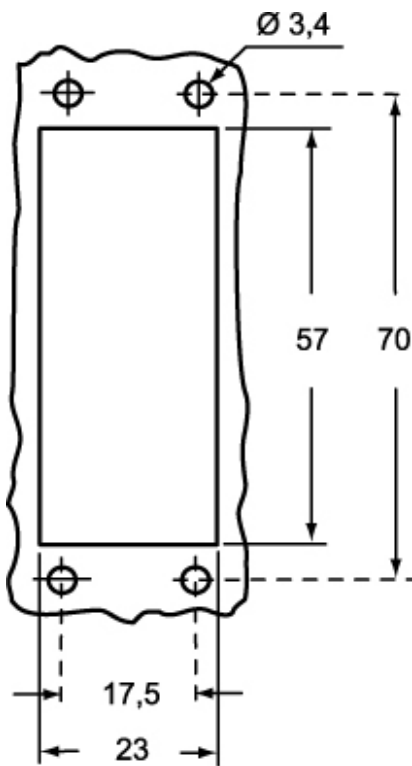
| Product description                           |                          | Material properties                 |                        |
|---|--------------------------|-------------------------------------|------------------------|
| <b>Product type</b>                           | Surface mounting housing | <b>Other materials</b>              | Lever: Stainless steel |
| <b>Series</b>                                 | CZ7                      | <b>Colour</b>                       | RAL 7040 grey          |
| <b>Closing type</b>                           | With 1 lever             | <b>RoHs conformity</b>              | Compliant              |
| <b>Size</b>                                   | Size 49.16               | <b>China RoHs - EFUP</b>            | E                      |
| <b>Cable entry</b>                            | With cable entry<br>M25  | <b>REACH SVHC substances</b>        | No                     |
| <b>Specification</b>                          | With metal cover         | <b>Approvals / Standards</b>        |                        |
| <b>Technical data</b>                         |                          | <b>UL</b>                           | ECBT2                  |
| <b>IP degree of protection</b>                | IP66 / IP67 / IP69       | <b>cUL</b>                          | ECBT8                  |
| <b>Further technical details</b>              |                          | <b>General ordering information</b> |                        |
| <b>Weight</b>                                 | 159,00 g                 | <b>EAN13 code</b>                   | 8015747239981          |
| <b>Operating temperature range (min, max)</b> | -40°C...+125°C           | <b>eCl@ss 8.1</b>                   | 27440202               |
|   |                          | <b>ETIM 7.0</b>                     | EC000437               |
|   |                          | <b>Packaging Information</b>        |                        |
|   |                          | <b>Packaging length</b>             | 190,00 mm              |
|   |                          | <b>Packaging height</b>             | 125,00 mm              |
|   |                          | <b>Packaging width</b>              | 330,00 mm              |
|   |                          | <b>Packaging weight</b>             | 1,74 kg                |
|   |                          | <b>Packaging volume</b>             | 7,84 dm <sup>3</sup>   |
|   |                          | <b>Packaging description</b>        | Carton box             |
|   |                          | <b>Packaging quantity</b>           | 10 Pcs                 |
|   |                          | <b>Packaging EAN code</b>           | 8015747193597          |
|   |                          | <b>Sub-packaging weight</b>         | 0,87 kg                |
|   |                          | <b>Sub-packaging description</b>    | Plastic packaging      |
|   |                          | <b>Sub-packaging quantity</b>       | 5 Pcs                  |
|   |                          | <b>Sub-packaging EAN barcode</b>    | 8015747193603          |

Part number

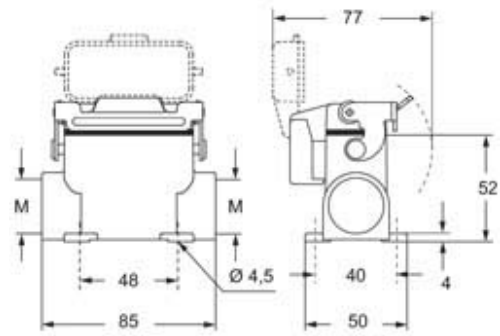
# MZ7P 15 LS25



Catalogue drawings



Catalogue drawings



## Notes

Dimensions shown in mm are not binding and may be changed without notice.