

**DALLE P31 TP50 50 à 200**  
**Tray P31 perf 50x50 to 200**

**GS  
PG**

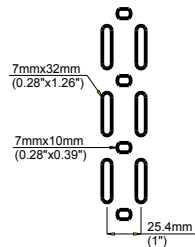


**CABLE  
MANAGEMENT**

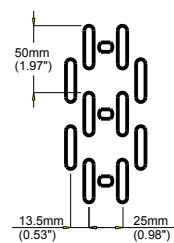
**FT0518-0**

**11 13**

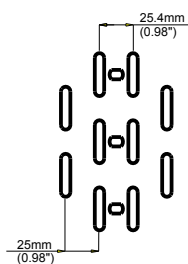
**P31 TP 50x50**



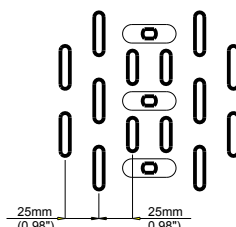
**P31 TP 50x75**



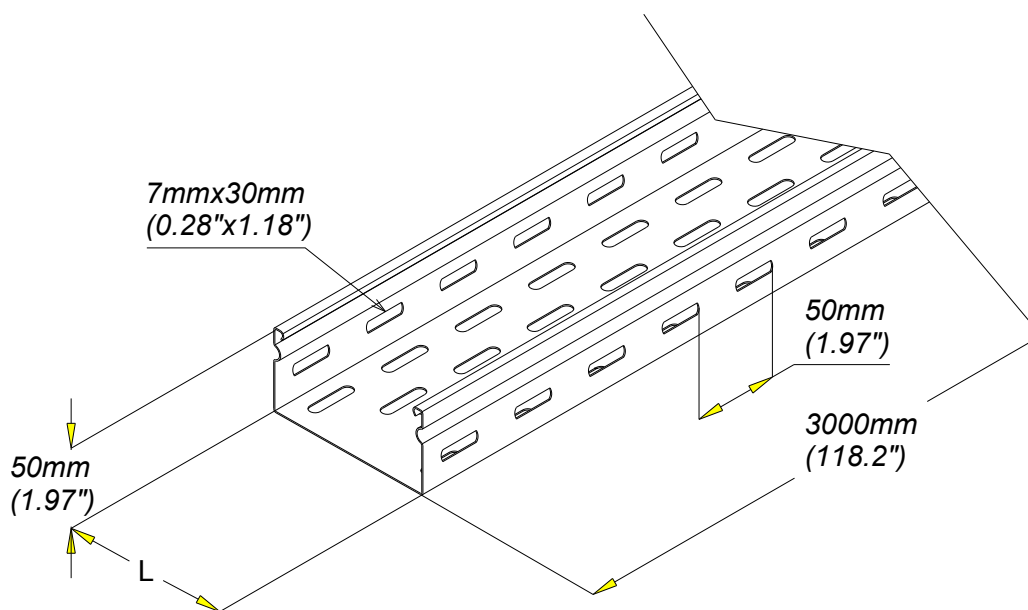
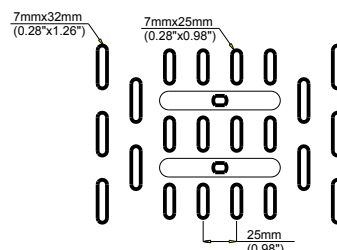
**P31 TP 50x100**



**P31 TP 50x150**



**P31 TP 50x200**



REF	CODE	POIDS /WEIGHT (Kg/m) (lb/ft)		L / L (mm) (inch)		EP. / TH. (mm) (inch)	
P31 TP 50x50	340 052	0.900	0.606	50	(1.969")	0.6	(0.024")
P31 TP 50x75	340 852	1.020	0.687	77	(3.031")	0.6	(0.024")
P31 TP 50x100	340 053	1.140	0.767	100	(3.937")	0.6	(0.024")
P31 TP 50x150	340 054	1.340	0.902	150	(5.906")	0.6	(0.024")
P31 TP 50x200	340 055	2.220	1.494	200	(7.874")	0.7	(0.028")

Material	Standard
DX 51 D Z 275 MAC	EN 10 346