



I2D305C-2RCA11

picoCam2

2D MACHINE VISION

SICK
Sensor Intelligence.



Ordering information

Type	Part no.
I2D305C-2RCA11	6071826

Other models and accessories → www.sick.com/picoCam2



Detailed technical data

Features

Task	Color inspection
Technology	2D snapshot
Product category	Streaming, flexible
Sensor	CMOS Color
Sensor used	Sony IMX264
Shutter technology	Global-Shutter
Illumination	To be ordered separately as accessories
Further functions	Line mode, region of interest, long exposure
Lens	C-mount
Optical format	2/3"
Note	To be ordered separately as accessories

Mechanics/electronics

Connection type	8-pin Hirose male connector
Supply voltage	12 V ... 24 V ¹⁾
Power consumption	≤ 3.1 W
Enclosure rating	IP30
Weight	52 g
Dimensions (L x W x H)	29 mm x 29 mm x 29 mm

¹⁾ Or PoE.

Performance

Bit depth	12 bit
Sensor resolution	2,448 px x 2,048 px (5.01 Mpixel)
Sensor size	8.446 mm x 7.066 mm
Scan/frame rate	24 fps, in freerun mode
Memory	128 MB
Exposure time	0.035 ms ... 2,000 ms
Pixel size	3.45 μm

Interfaces

Ethernet	✓, UDP/IP
Data transmission rate	1,000 Mbit/s
Configuration software	SICK Vision Suite

Ambient data

Shock load	80 g, EN 60068-2-27 (1995-03), EN 60068-2-29 (1995-03)
Vibration load	10 g, 30 Hz ... 500 Hz, EN 60068-2-6 (1996-05)
Ambient operating temperature	0 °C ... +55 °C ¹⁾
Storage temperature	-20 °C ... +60 °C ¹⁾

¹⁾ Relative humidity: 0% ... 100%.

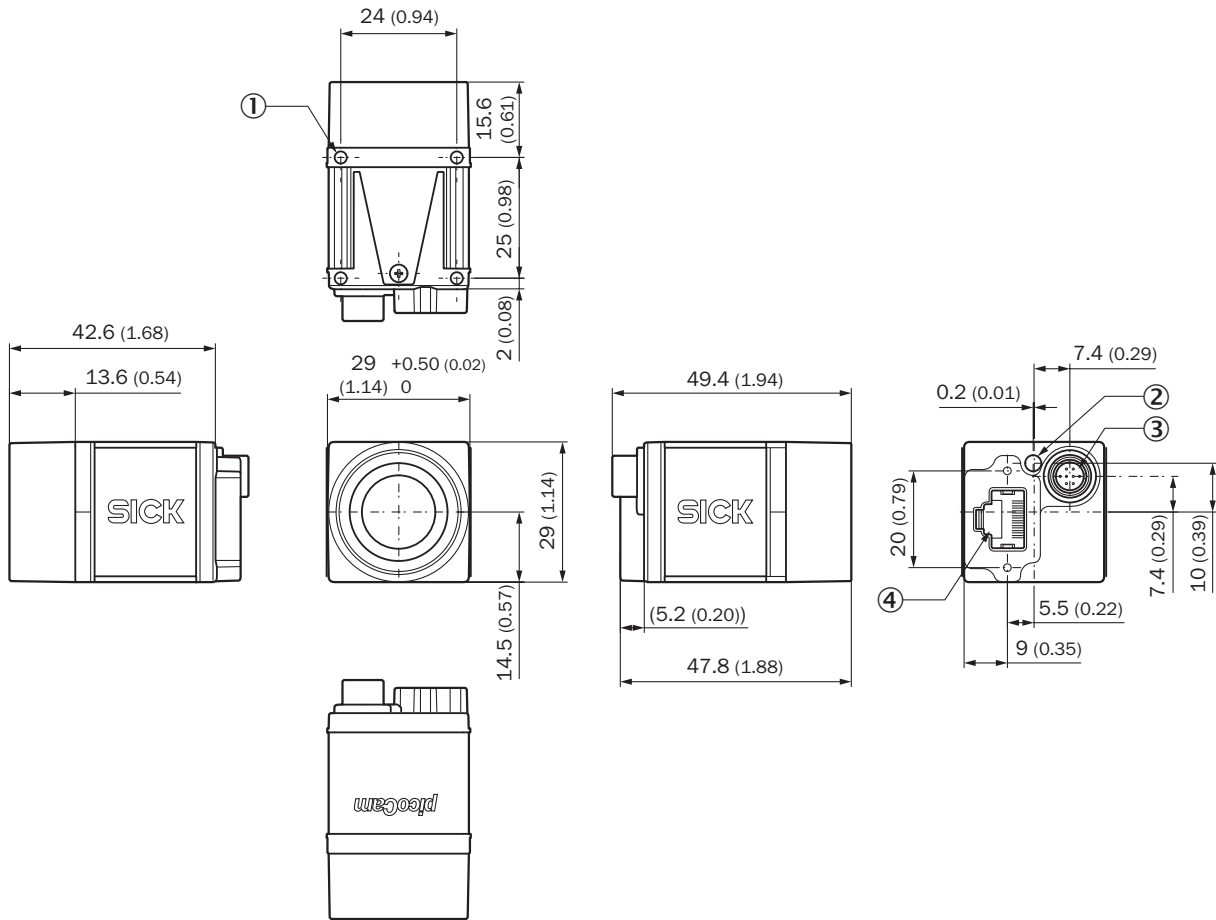
General notes

Note	Not free of paint wetting impairment substances.
-------------	--

Classifications

ECLASS 5.0	27310205
ECLASS 5.1.4	27310205
ECLASS 6.0	27310205
ECLASS 6.2	27310205
ECLASS 7.0	27310205
ECLASS 8.0	27310205
ECLASS 8.1	27310205
ECLASS 9.0	27310205
ECLASS 10.0	27310205
ECLASS 11.0	27310205
ECLASS 12.0	27310205
ETIM 5.0	EC001820
ETIM 6.0	EC001820
ETIM 7.0	EC001820
ETIM 8.0	EC001820
UNSPSC 16.0901	43211731

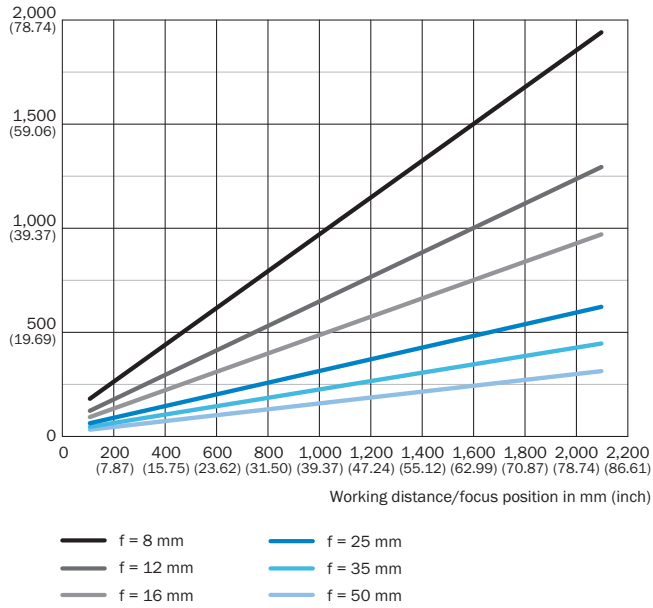
Dimensional drawing (Dimensions in mm (inch))



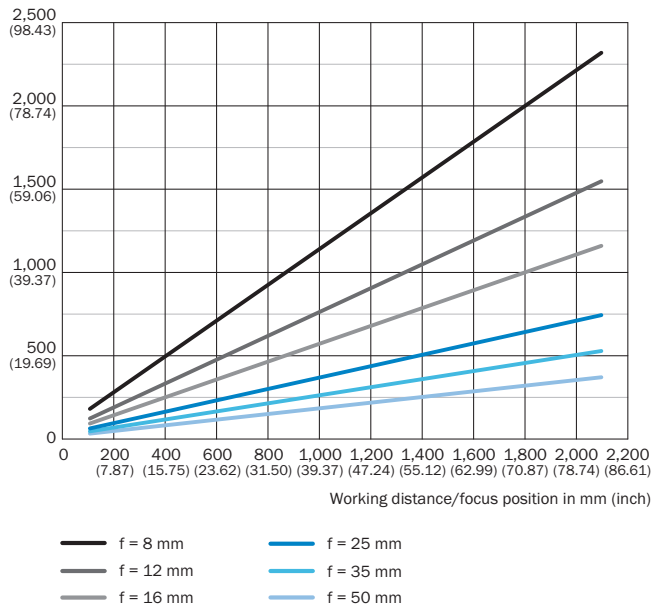
- ① Blind hole thread M3, 3 mm deep (4 x), for mounting
- ② LED for status display
- ③ Power I/O connection, male connector, 8-pin, Hirose HR25
- ④ Gigabit Ethernet port, RJ45, 8-pin

Field of view

Field of view y in mm (inch)






Field of view x in mm (inch)



Recommended accessories

Other models and accessories → www.sick.com/picoCam2

	Brief description	Type	Part no.
Others			
	<ul style="list-style-type: none"> • Connection type head A: Male connector, M12, 5-pin, A-coded • Connection type head B: Female connector, Hirose HR25, 8-pin • Signal type: Power, digital I/Os • Cable: 1 m, PVC • Description: Power, digital I/Os, shielded, Connecting cable for picoCam2 cameras to SIMxxx M12 variants (sensor connection) 	YM2Z15-010XXXFHRS8	2110626
	<ul style="list-style-type: none"> • Connection type head A: Male connector, M12, 5-pin, A-coded • Connection type head B: Female connector, Hirose HR25, 8-pin • Signal type: Power, digital I/Os • Cable: 3 m, PVC • Description: Power, digital I/Os, shielded, Connecting cable for picoCam2 cameras to SIMxxx M12 variants (sensor connection) 	YM2Z15-030XXXFHRS8	2110811
	<ul style="list-style-type: none"> • Connection type head A: Male connector, M12, 5-pin, A-coded • Connection type head B: Female connector, Hirose HR25, 8-pin • Signal type: Power, digital I/Os • Cable: 5 m, PVC • Description: Power, digital I/Os, shielded, Connecting cable for picoCam2 cameras to SIMxxx M12 variants (sensor connection) 	YM2Z15-050XXXFHRS8	2110812

Recommended services

Additional services → www.sick.com/picoCam2

	Type	Part no.
Extended warranty		
<ul style="list-style-type: none"> • Product area: Identification solutions, machine vision, Detection and ranging solutions, safety camera sensors, Safety laser scanners, Safety radar sensors • Range of services: The services correspond to the scope of the statutory manufacturer warranty (SICK general terms of delivery). • Duration: Five-year warranty from delivery date. 	Extended warranty for a total of five years from delivery date	1680671

SICK AT A GLANCE

SICK is one of the leading manufacturers of intelligent sensors and sensor solutions for industrial applications. A unique range of products and services creates the perfect basis for controlling processes securely and efficiently, protecting individuals from accidents and preventing damage to the environment.

We have extensive experience in a wide range of industries and understand their processes and requirements. With intelligent sensors, we can deliver exactly what our customers need. In application centers in Europe, Asia and North America, system solutions are tested and optimized in accordance with customer specifications. All this makes us a reliable supplier and development partner.

Comprehensive services complete our offering: SICK LifeTime Services provide support throughout the machine life cycle and ensure safety and productivity.

For us, that is “Sensor Intelligence.”

WORLDWIDE PRESENCE:

Contacts and other locations –www.sick.com