

Part number
JCVI 06 LP



Bulkhead mounting housing, JEI®-V series, with 1 lever, size "44.27", with plastic cover

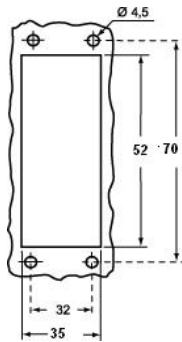
Product description	
Product type	Bulkhead mounting housing
Series	JEI®-V
Closing type	With 1 lever
Size	Size 44.27
Cable entry	Without cable entry
Specification	With plastic cover
Technical data	
IP degree of protection	IP65
Further technical details	
Weight	127,50 g
Operating temperature range (min, max)	-40°C...+125°C

Material properties	
Other materials	Lever: Galvanized steel Gasket: NBR
Colour	RAL 7040 grey
Approvals / Standards	
Certifications	DNV, BV
UL	ECBT2
cUL	ECBT8
General ordering information	
EAN13 code	8015747137690
Packaging Information	
Packaging length	240,00 mm
Packaging height	120,00 mm
Packaging width	355,00 mm
Packaging weight	2,75 kg
Packaging volume	10,22 dm ³
Packaging description	Carton box
Packaging quantity	20 Pcs
Packaging EAN code	8015747144001
Sub-packaging weight	0,69 kg
Sub-packaging description	Plastic packaging
Sub-packaging quantity	5 Pcs
Sub-packaging EAN barcode	8015747140072

Part number
JCVI 06 LP

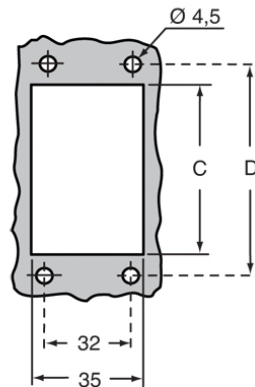
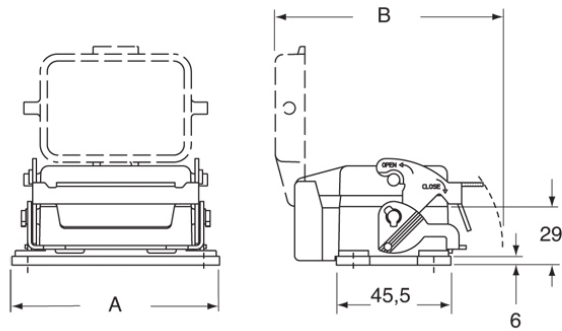


Catalogue drawings



Catalogue drawings

JCVI LP



	A	B	C	D
JCVI 06 LP	82,5	89	52	70
JCVI 10 LP	95,5	94	65	83
JCVI 16 LP	115,5	94	86	103
JCVI 24 LP	142,5	94	112	130

Notes

Dimensions shown in mm are not binding and may be changed without notice.