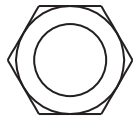
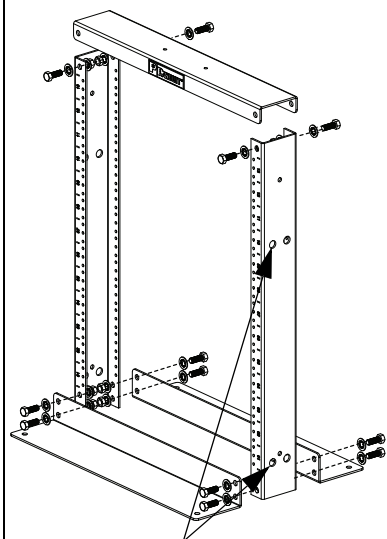
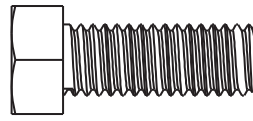


INSTRUCTIONS CM463

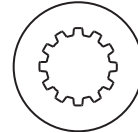
© Panduit Corp. 2010



3/8" Nut



3-8X1" Bolt



3/8" Paint Piercing Washer

RACK ASSEMBLY

Apply Antioxidant Paste to painted surfaces that the 3/8 paint piercing washers will come in contact with. Install top channel to upright channels using (4) 3/8x1" bolts (4) 3/8" nuts and (8) 3/8" paint piercing washers (see figure below). **Finger tighten only.**

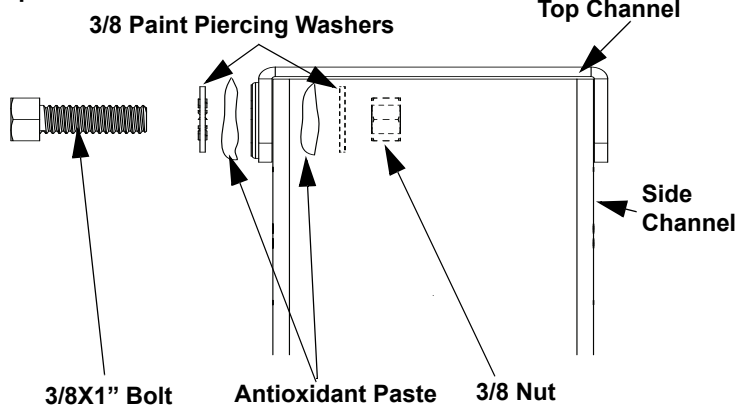
Apply Antioxidant Paste to painted surfaces that the 3/8 paint piercing washers will come in contact with. Install the base angles to the vertical upright channels using (8) 3/8x1" bolts (8) 3/8" nuts and (16) 3/8" paint piercing washers (see figure to left) per angle. **Finger tighten only.**

Fasten handle to top channel of rack using supplied hardware and completely tighten (see figure below).

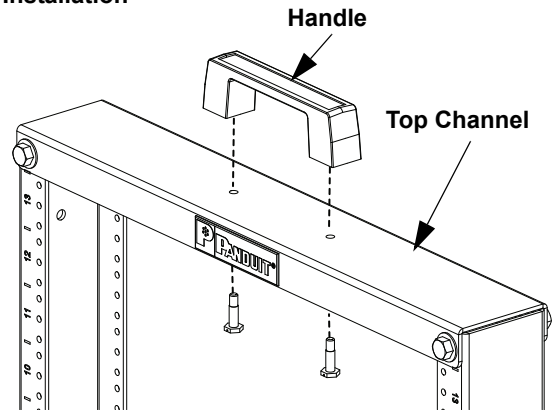
Stand rack upright. Square the upright channels with the base using a carpenter square. **Completely tighten all bolts to at least 14 ft.-lbs(19.0 N-m).**

Rack holes for mounting sample managers

Top Channel Installation-4 Places

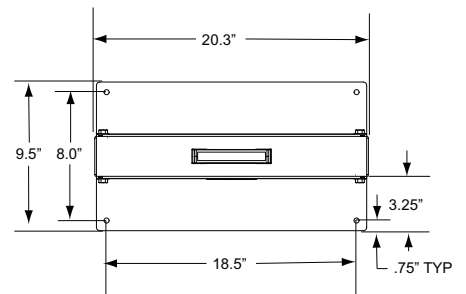
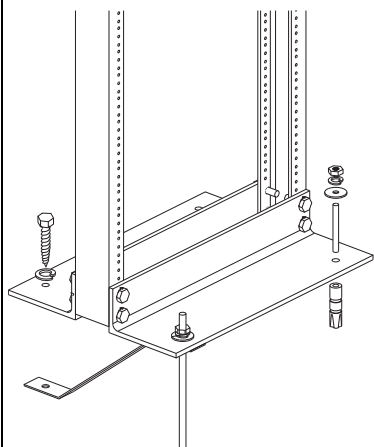


Handle Installation



MOUNT RACK TO FLOOR

Securely mount the rack to the floor using the appropriate hardware based on the floor construction (concrete, raised floor, or wood). A Rack Floor Attachment Kit (RFAKIT) is available for mounting to concrete floors and is sold separately.



Note: The maximum weight load of the rack is 300 pounds. The weight should be evenly distributed across the height of the rack, with the heaviest components mounted at the bottom of the rack. The top angles are not intended to support a significant load.