

1SET151012R0000 ✓ ACTIVE

ENTRELEC

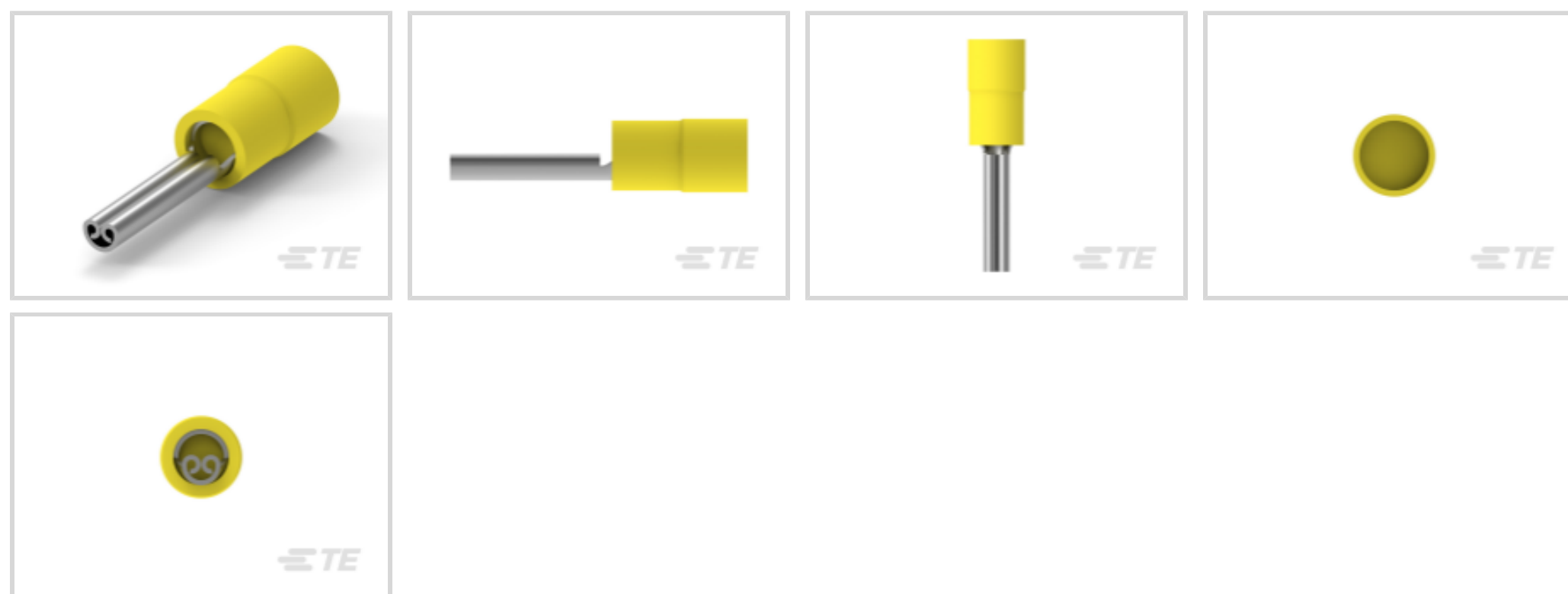
TE Internal #: 1SET151012R0000

Crimp Wire Pins, Tabs & Ferrules, Wire Pin, 12 – 10 AWG Wire Size,  
3 – 6 mm<sup>2</sup> Wire Size, 5180 – 13100 CMA Wire Size

[View on TE.com >](#)



Terminals & Splices > Crimp Wire Pins, Tabs & Ferrules



Crimp Wire Pin, Tab & Ferrule Terminal Type: **Wire Pin**

Accepts Wire Insulation Diameter Range: **3.8 – 6.4 mm, 6.2 mm [ .15 – .25 in, .244 in ]**

Wire Size: **5180 – 13100 CMA**

## Features

### Product Type Features

Shape Description	WIRE PIN-003
Sealable	No
Wire Insulation Support Retention Type	Insulation Support

### Configuration Features

Compatible With Wire & Cable Type	Discrete Wire
-----------------------------------	---------------

### Body Features

Sleeve Material	Nylon
Insulation Sleeve Material	Nylon
Double Wire	No
Insulation Color	Yellow
Insulation Material	Nylon

### Contact Features

Terminal Length	15.2 mm[.59 in]
Crimp Wire Pin, Tab & Ferrule Terminal Type	Wire Pin
Barrel Type	Closed
Terminal Plating Material	Tin



Pin Type	Formed
----------	--------

Terminal Orientation	Straight
----------------------	----------

### Termination Features

Bullet Terminal	Without
-----------------	---------

### Mechanical Attachment

Wire Insulation Support	With
-------------------------	------

### Dimensions

DIN Wire Size	2.5 – 6 mm <sup>2</sup>
---------------	-------------------------

Accepts Wire Insulation Diameter Range	3.8 – 6.4 mm, 6.2 mm [.15 – .25 in] [.244 in]
--	---

Wire Size	5180 – 13100 CMA
-----------	------------------

Barrel Inside Diameter	6.3 mm [.248 in]
------------------------	------------------

Terminal Material Thickness	.45 mm [.017 in]
-----------------------------	------------------

Overall Product Length	33.52 mm [1.319 in]
------------------------	---------------------

### Usage Conditions

Insulation Option	Partially Insulated
-------------------	---------------------

Operating Temperature Range	105 °C [221 °F]
-----------------------------	-----------------

### Operation/Application

Connects To	Pin Receptacle
-------------	----------------

Heavy Duty	No
------------	----

### Packaging Features

Packaging Quantity	500
--------------------	-----

Packaging Method	Box
------------------	-----

### Product Compliance

[For compliance documentation, visit the product page on TE.com>](#)

EU RoHS Directive 2011/65/EU	Compliant
------------------------------	-----------

EU ELV Directive 2000/53/EC	Compliant
-----------------------------	-----------

China RoHS 2 Directive MIIT Order No 32, 2016	No Restricted Materials Above Threshold
---	---






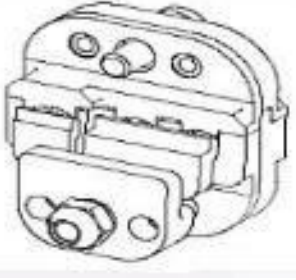

EU REACH Regulation (EC) No. 1907/2006	Current ECHA Candidate List: JUNE 2022 (224) Candidate List Declared Against: JUNE 2022 (224) Does not contain REACH SVHC
--	---

Halogen Content	Low Halogen - Br, Cl, F, I < 900 ppm per homogenous material. Also BFR/CFR/PVC Free
Solder Process Capability	Not applicable for solder process capability

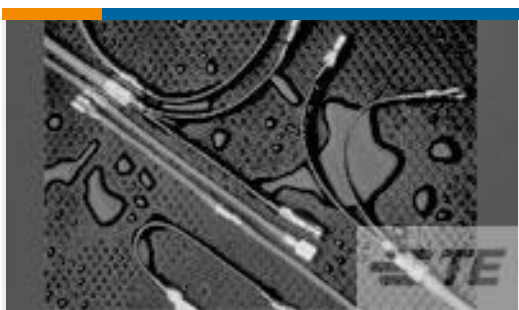
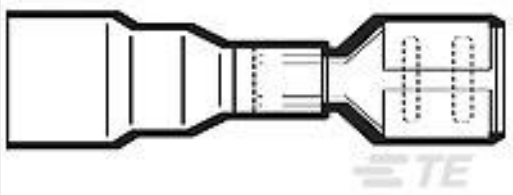
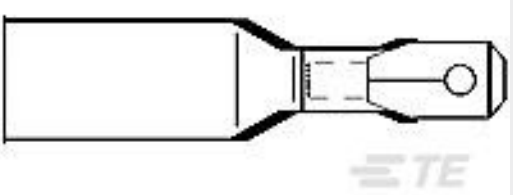
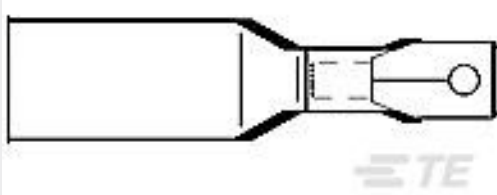
Product Compliance Disclaimer

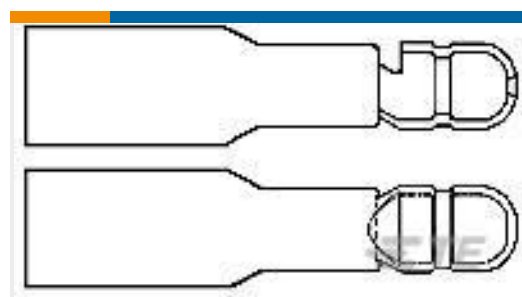
This information is provided based on reasonable inquiry of our suppliers and represents our current actual knowledge based on the information they provided. This information is subject to change. The part numbers that TE has identified as EU RoHS compliant have a maximum concentration of 0.1% by weight in homogenous materials for lead, hexavalent chromium, mercury, PBB, PBDE, DBP, BBP, DEHP, DIBP, and 0.01% for cadmium, or qualify for an exemption to these limits as defined in the Annexes of Directive 2011/65/EU (RoHS2). Finished electrical and electronic equipment products will be CE marked as required by Directive 2011/65/EU. Components may not be CE marked. Additionally, the part numbers that TE has identified as EU ELV compliant have a maximum concentration of 0.1% by weight in homogenous materials for lead, hexavalent chromium, and mercury, and 0.01% for cadmium, or qualify for an exemption to these limits as defined in the Annexes of Directive 2000/53/EC (ELV). Regarding the REACH Regulation, the information TE provides on SVHC in articles for this part number is based on the latest European Chemicals Agency (ECHA) 'Guidance on requirements for substances in articles' posted at this URL: <https://echa.europa.eu/guidance-documents/guidance-on-reach>

### Compatible Parts

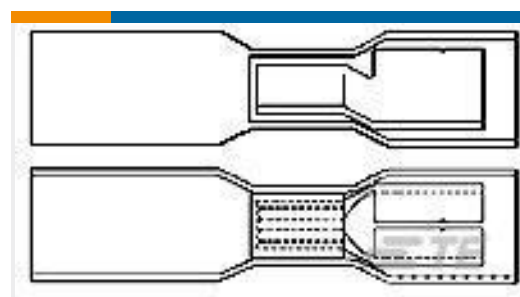
 <p>TE Part # 59824-1 TETRA-CRIMP PIDG PG FASTON 22-10 ASSY</p>	 <p>TE Part # 58433-3 PRO CR ASSY, RBY IS9252</p>	 <p>TE Part # 59239-4 HHHT PIDG PG 12-10 ASSY</p>	 <p>TE Part # 58423-1 DIE, RBY IS9252</p>
 <p>TE Part # 1-1377174-8 SMP 0-0160404-2</p>	 <p>TE Part # 2063030-1 SDE DIESET, RBY, UL</p>	 <p>TE Part # 169404 CERTI-LOK DIE</p>	

### Customers Also Bought

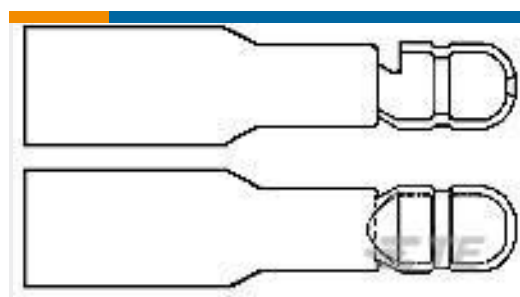
 <p>TE Part #CC2649-000 B-106-1803CS50</p>	 <p>TE Part #CC2641-000 B-106-3632CS100</p>	 <p>TE Part #CC2642-000 B-106-4632CS100</p>	 <p>TE Part #CC2630-000 B-106-4631CS100</p>
---	---	--	--



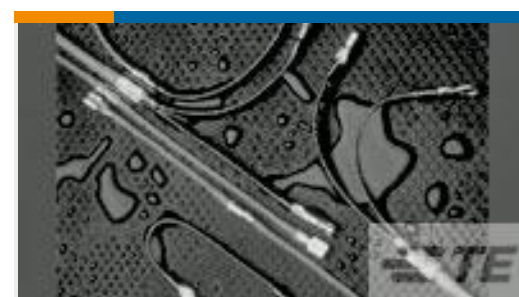
TE Part #CC2631-000  
B-106-7401CS100



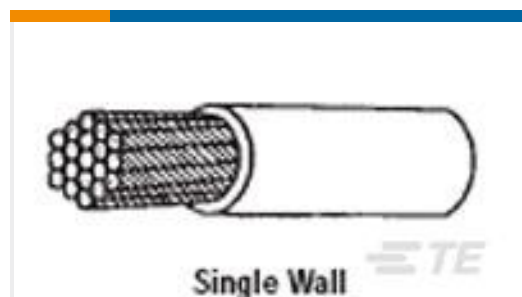
TE Part #CC2632-000  
B-106-8401CS100



TE Part #CC2643-000  
B-106-7502CS100



TE Part #CC2637-000  
B-106-1802CS100



TE Part #792939-000  
82A0111-16-0



TE Part #EL88602001  
RBK-VWS-125-NR2-X-STK

## Documents

### Product Drawings

[WP060-N](#)

English

### CAD Files

[3D PDF](#)

3D

Customer View Model

[ENG\\_CVM\\_CVM\\_1SET151012R0000\\_A.2d\\_dxf.zip](#)

English

Customer View Model

[ENG\\_CVM\\_CVM\\_1SET151012R0000\\_A.3d\\_igs.zip](#)

English

Customer View Model

[ENG\\_CVM\\_CVM\\_1SET151012R0000\\_A.3d\\_stp.zip](#)

English

By downloading the CAD file I accept and agree to the [Terms and Conditions](#) of use.

### Datasheets & Catalog Pages

[Infographic - entrelec ews-linecard](#)

English

[Essential Entrelec Terminal Blocks](#)

French

[Essential Entrelec Terminal Blocks](#)

English

### Product Specifications



### Application Specification

English

---

### Instruction Sheets

Instruction Sheet (U.S.)

English