

# ball valve Art. 510

**brv** bonetti rubinetterie valduggia

Loc. Molino Rastelli, 2 I-13018 VALDUGGIA (VC) ITALY

Tel. +39 0163 48062 - Fax +39 0163 48188

http://www.brv.it - email: info@brv.it



**510**

**51 F**

F/F full port ball valve in hot forged brass. Nickel plated.

**PN 30. Max.150°C.**

Ends threaded to ISO 228 (DIN 259 BSP 2779) and American standard NPT acc. to ANSI B 1.20.1.

Art. 510 with steel lever.

Art. 51 F with steel T-handle.

**Sizes: from 1/4" up to 4"**

**1/4" - 2"**

**2 1/2" - 4"**

## WORKING PRESSURE

for saturated steam (+150°C)

5 bar

4,5 bar (+150°C)

for water, oil and non aggressive fluids (+25°C)

30 bar

25 bar

## WORKING TEMPERATURE

Min. -20°C

Max.+150°C

Max.+150°C

## TEST PRESSURE

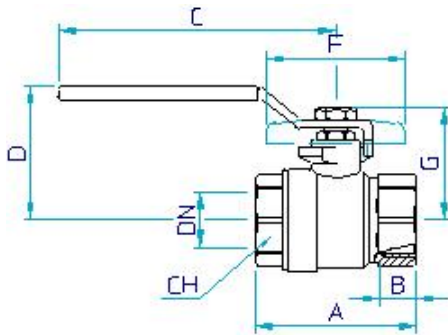
seal pneumatic test

6,5 bar

6,5 bar

Art. 510 A with E.P.D.M. Peroxid O-ring sealing system on stem. (Max. 150°C - Working pressure 5 bar for saturated steam).

## Dimensions



COMPONENTS	MATERIAL-TREATMENT	Q.
Handle	Steel; Dacromet plated; PVC covered	1
Nut	Brass P-CuZn40Pb2; Nickel plated	1
Stem	Brass P-CuZn40Pb2	1
Packing gland	Brass P-CuZn40Pb2	1
Stem packing	P.T.F.E.	2
Washer	Brass P-CuZn40Pb2	1
Tailpiece	Brass P-CuZn40Pb2; Nickel plated	1
Ball seals	P.T.F.E.	2
Ball	Brass P-CuZn40Pb2; Chrome plated	1
Body	Brass P-CuZn40Pb2; Nickel plated	1

Size	1/4"	3/8"	1/2"	3/4"	1"	1 1/4"	1 1/2"	2"	2 1/2"	3"	4"
A	44	44	50	58	68	80	93	110	134	151	180
B	12	12	12	13	15	17	19	21	23	25	29
C	77	77	100	100	120	120	157	157	230	230	230
D	41	41	46	49	62	67	85	92	120	128	142
F	50	50	50	50	60	60	-	-	-	-	-
G	36	36	38	41	47	52	-	-	-	-	-
CH	20.5	20.5	25	31	38.5	47.5	54	66.5	83	96	122
DN	10	10	15	20	25	32	40	50	63	74	94
Gr.	144	130	199	279	438	670	1150	1870	3000	4100	6500
<b>M.Carton</b>											
510	240	240	168	126	48	36	24	16	8	6	4
51 F	240	240	192	126	48	36	-	-	-	-	-