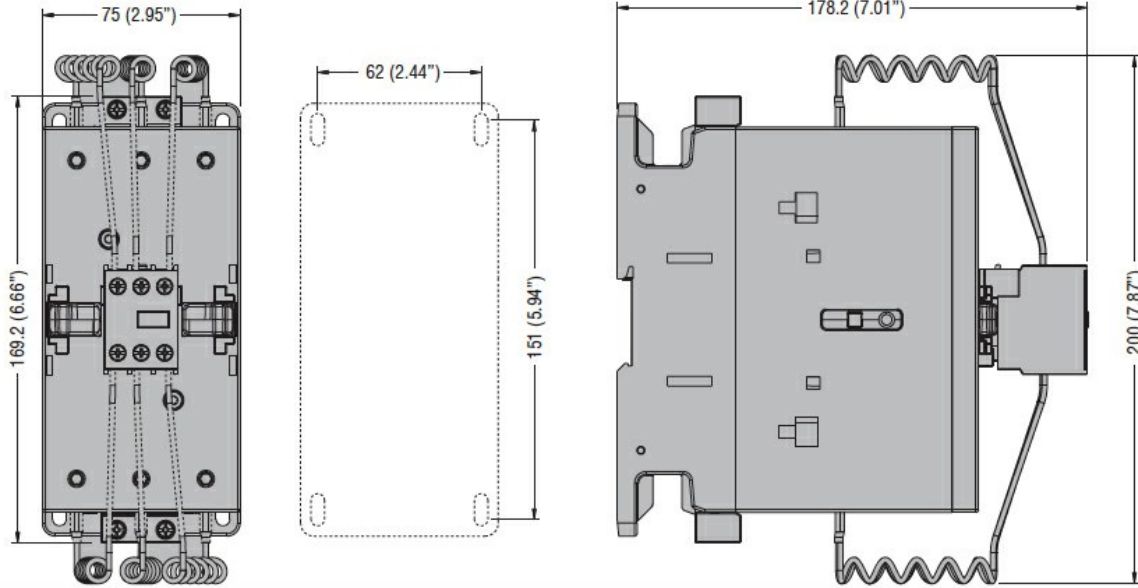




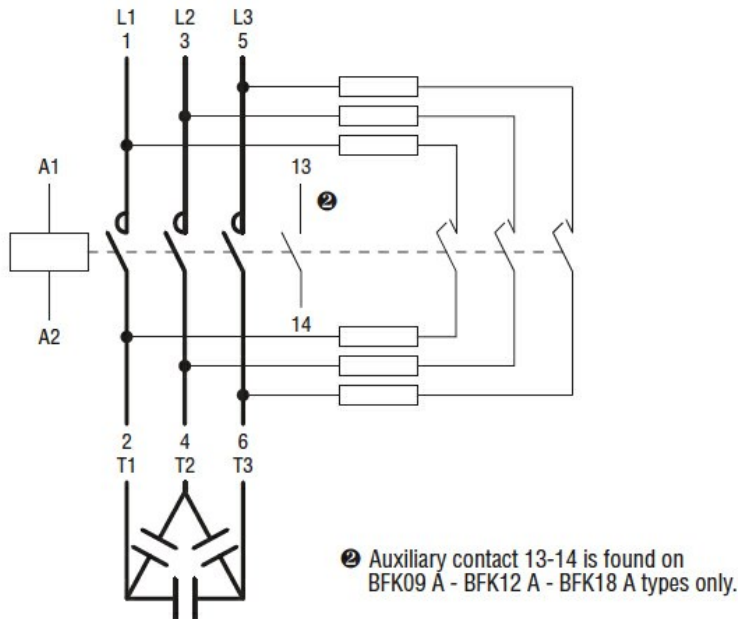
Product designation	Power contactor		
Product type designation	BFK95		
Contact characteristics			
Number of poles	Nr.	3	
Rated insulation voltage U_i IEC/EN	V	690	
Rated impulse withstand voltage U_{imp}	kV	8	
Operational frequency	min	Hz	25
	max	Hz	400
IEC Conventional free air thermal current I_{th}	A	140	
Rated operational power AC-6b ($T \leq 40^\circ C$)	230V	kvar	34
	400V	kvar	60
	440...480V	kvar	75
	690V	kvar	80
Short-time allowable current for 10s (IEC/EN60947-1)	A	760	
Protection fuse	gG (IEC)	A	125
		A	1200
Making capacity (RMS value)		A	1200
Breaking capacity at voltage	440V	A	1100
	500V	A	775
	690V	A	745
Resistance per pole (average value)		m Ω	0.45
Power dissipation per pole (average value)	I_{th}	W	8.8
Tightening torque for terminals	min	Nm	6
	max	Nm	7
	min	Ibin	4.4
	max	Ibin	5.2
Tightening torque for coil terminal	min	Nm	0.8
	max	Nm	1
	min	Ibin	0.59
	max	Ibin	0.74
Max number of wires simultaneously connectable		Nr.	2
Conductor section	AWG/Kcmil		
		max	2/0
Flexible w/o lug conductor section	min	mm ²	1.5
	max	mm ²	70
Flexible c/w lug conductor section	min	mm ²	1.5

		max	mm ²	70
Power terminal protection according to IEC/EN 60529				
IP20 front				
Mechanical features				
Operating position				
		normal allowable		Vertical plan ±30°
Fixing				
Screw / DIN rail 35mm				
Weight				
			g	2095
Conductor section				
AWG/kcmil conductor section				
		max		2/0
Operations				
Mechanical life				
			cycles	15000000
Electrical life				
			cycles	400000
Safety related data				
Performance level B10d according to EN/ISO 13489-1				
		rated load mechanical load	cycles cycles	400000 15000000
EMC compatibility				
yes				
AC coil operating				
Rated AC voltage at 60Hz				
			V	460
AC operating voltage				
of 60Hz coil powered at 60Hz				
pick-up				
		min	%Us	80
		max	%Us	110
drop-out				
		min	%Us	20
		max	%Us	55
Dissipation at holding ≤20°C 50Hz				
			W	6.5
Max cycles frequency				
Mechanical operation				
			cycles/h	1500
Operating times				
Average time for Us control				
in AC				
Closing NO				
		min	ms	16
		max	ms	32
Opening NO				
		min	ms	9
		max	ms	24
UL technical data				
General USE				
Contactor				
		AC current	A	140
Ambient conditions				
Temperature				
Operating temperature				
		min	°C	-50
		max	°C	70
Storage temperature				
		min	°C	-60
		max	°C	80

Max altitude	m	3000
Resistance & Protection		
Pollution degree		3
Dimensions		



Wiring diagrams



Certifications and compliance

Compliance

- CSA C22.2 n° 60947-1
- CSA C22.2 n° 60947-4-1
- IEC/EN/BS 60947-1
- IEC/EN/BS 60947-4-1
- UL 60947-1
- UL 60947-4-1

Certificates

- CCC
- cULus

ETIM classification

ETIM 8.0

EC001079 -
Capacitor
contactor