



FOR USE WITH PANDUIT  
**FIBERRUNNER**  
ROUTING SYSTEMS

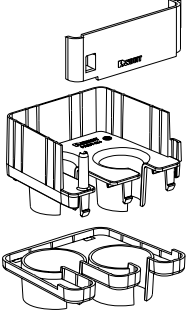
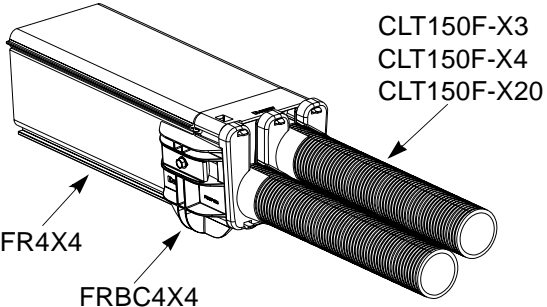
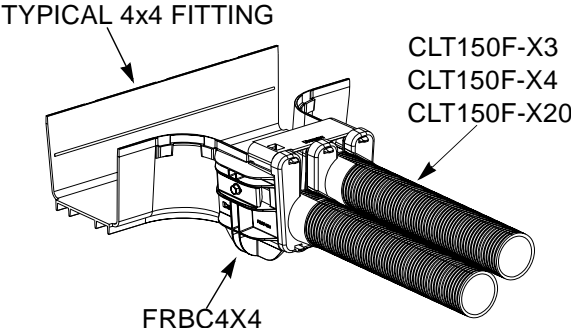
**FIBERRUNNER** 4x4 2-PORT AND 6x4 3-PORT  
SPILL-OUT TO CORRUGATED TUBING

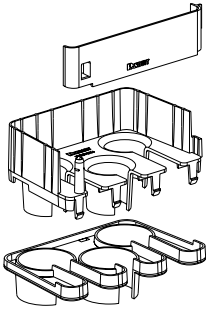
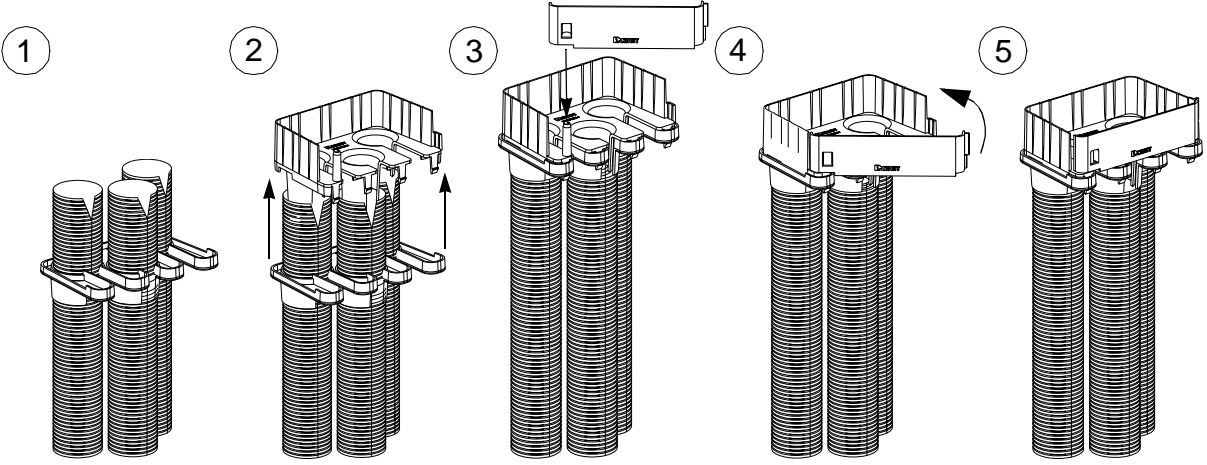
Part Numbers: FRIDT4X4, FRIDT6X4

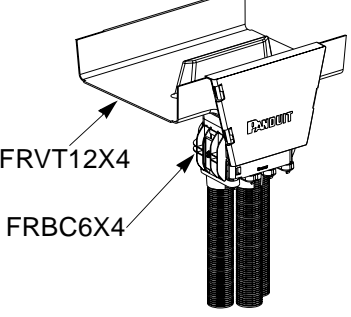
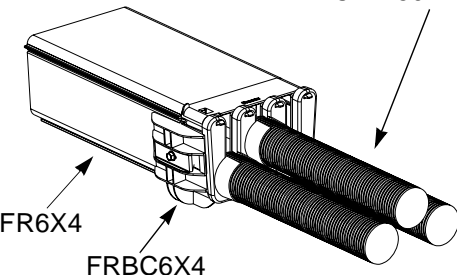
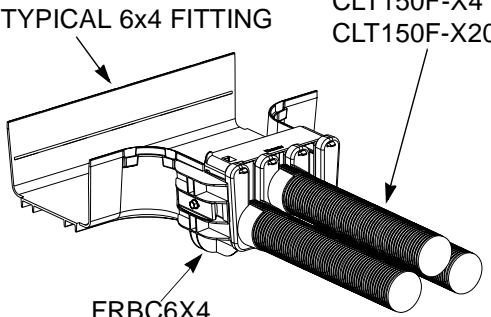
**INSTALLATION INSTRUCTIONS**

Panduit Corp. 2001

Printed in U.S.A.

 <p><b>FRIDT4X4</b></p>	<p><b>OPTION A - FITTING TO DUCT</b></p> 	<p><b>OPTION B - FITTING TO FITTING</b></p> 
---	--	--

 <p><b>FRIDT6X4</b></p>					
--	---	--	--	--	--

<p><b>OPTION A - FIBERRUNNER 12x4 VERTICAL TEE FITTING</b></p> 	<p><b>OPTION B - FITTING TO DUCT</b></p> 	<p><b>OPTION C - FITTING TO FITTING</b></p> 
---	--	---

Instruction Sheet RW137B

**WORLDWIDE SUBSIDIARIES AND SALES OFFICES**

17301 Ridgeland Avenue  
Tinley Park, IL 60477-3091  
Web Site: [www.panduit.com/ncg](http://www.panduit.com/ncg)



Fax: 866-449-1702  
Technical Support: 866-405-6656  
Email: [netconnsupport@panduit.com](mailto:netconnsupport@panduit.com)