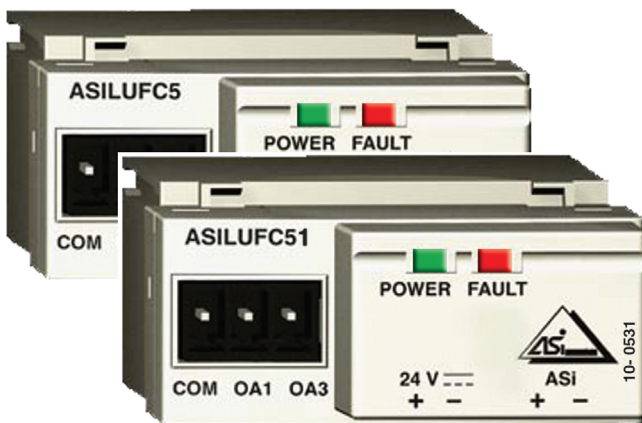


TeSys[®] U ASILUFC5-ASILUFC51 AS-i Communication Module User Manual

03/2009



Schneider Electric assumes no responsibility for any errors that may appear in this document. If you have any suggestions for improvements or amendments or have found errors in this publication, please notify us.

No part of this document may be reproduced in any form or by any means, electronic or mechanical, including photocopying, without express written permission of Schneider Electric.

All pertinent state, regional, and local safety regulations must be observed when installing and using this product. For reasons of safety and to help ensure compliance with documented system data, only the manufacturer should perform repairs to components.

When devices are used for applications with technical safety requirements, the relevant instructions must be followed.

Failure to use Schneider Electric software or approved software with our hardware products may result in injury, harm, or improper operating results.

Failure to observe this information can result in injury or equipment damage.

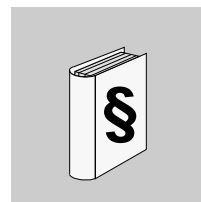
© 2009 Schneider Electric. All rights reserved.

Table of Contents



	Safety Information	5
	About the Book	7
Chapter 1	Hardware Implementation	9
	Description and Installation	10
	Connections	14
	Technical Characteristics	17
Chapter 2	Software Implementation	19
	Configuration Software	20
	Addressing	21
	Description of the I/O Variables on the ASILUFC5/ASILUFC51 Module	22
	Managing Faults	23

Safety Information



Important Information

NOTICE

Read these instructions carefully, and look at the equipment to become familiar with the device before trying to install, operate, or maintain it. The following special messages may appear throughout this documentation or on the equipment to warn of potential hazards or to call attention to information that clarifies or simplifies a procedure.



The addition of this symbol to a Danger or Warning safety label indicates that an electrical hazard exists, which will result in personal injury if the instructions are not followed.



This is the safety alert symbol. It is used to alert you to potential personal injury hazards. Obey all safety messages that follow this symbol to avoid possible injury or death.

DANGER

DANGER indicates an imminently hazardous situation which, if not avoided, **will result in** death or serious injury.

WARNING

WARNING indicates a potentially hazardous situation which, if not avoided, **can result in** death or serious injury.

CAUTION

CAUTION indicates a potentially hazardous situation which, if not avoided, **can result in** minor or moderate injury.

CAUTION

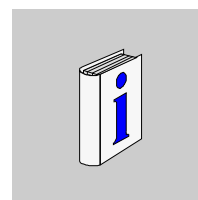
CAUTION, used without the safety alert symbol, indicates a potentially hazardous situation which, if not avoided, **can result in** equipment damage.

PLEASE NOTE

Electrical equipment should be installed, operated, serviced, and maintained only by qualified personnel. No responsibility is assumed by Schneider Electric for any consequences arising out of the use of this material.

A qualified person is one who has skills and knowledge related to the construction and operation of electrical equipment and the installation, and has received safety training to recognize and avoid the hazards involved.

About the Book



At a Glance

Document Scope

This manual describes the implementation, functionalities and operation of the TeSys U AS-i communication module (ASILUFC5 or extended ASILUFC51).

Field of application: mainly automation systems in industry and building areas.

Validity Note

ASILUFC5 and ASILUFC51 can be used with TeSys U power bases (LUB/2B, LUS/2S) only.

ASILUFC5 and ASILUFC51 are not compatible with TeSys U controller bases (LUTM).

Related Documents

Title of Documentation	Reference Number
ASILUF• Communication Module - Instruction Sheet	1743239
TeSys U Communication Variables - User's Manual	1744082
LU•B/LU•S• TeSys U Starters - Instruction Sheet	1629984
LUCM/LUCMT Multifunction Control Units - User's Manual	1743237
LUCM/LUCMT/LUCBT/LUCDT Control Units - Instruction Sheet	AAV40504
LUCA/LUCB/LUCC/LUCD Control Units - Instruction Sheet	AAV40503

You can download these technical publications and other technical information from our website at www.schneider-electric.com.

User Comments

We welcome your comments about this document. You can reach us by e-mail at techcomm@schneider-electric.com.

Hardware Implementation

1

Overview

This chapter describes the installation and technical characteristics of a TeSys U AS-i communication module (ASILUFC5 or extended ASILUFC51).

What's in this Chapter?

This chapter contains the following topics:

Topic	Page
Description and Installation	10
Connections	14
Technical Characteristics	17

Description and Installation

Introduction

The AS-i ASILUFC5 or extended ASILUFC51 communication module connects the TeSys U starters-controllers to the AS-i wiring system for direct or remote control.

The different operation conditions of the AS-i ASILUFC5 or ASILUFC51 AS-i communication module (AS-i bus voltage presence, communication fault on AS-i bus, addressing fault, ...) are displayed on the front panel by two light-emitting diodes (green and red).

Module operation is continuously monitored by self-tests. This is totally transparent to the user.

The integration of AS-i V2 functions enables remote module diagnostics via the bus or local diagnostics via the ASITERV2 and XZMC11 addressing terminals.

The module must be supplied with a 24V DC auxiliary source and must only be used with the LUC••BL 24V DC control units.

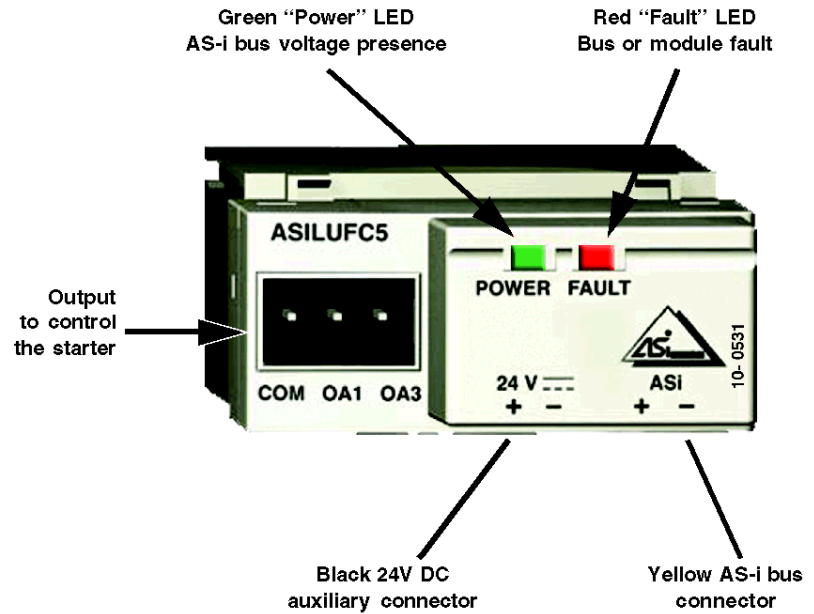
WARNING

IMPROPER COMMUNICATION PORT USAGE

- Use communication ports for transfer of non-critical data only.
- The data provided by monitoring contactor status and current levels is delayed by transmission time. Do not use this data for critical control decisions.
- Verify function settings before starting the motor.
- Do not use functions such as Run, Stop and Reverse for emergency or critical control applications.

Failure to follow these instructions can result in death, serious injury, or equipment damage.

Description



Description of ASILUFC5 or ASILUFC51 different states of LEDs.

Light Emitting Diodes (LEDs)	Status	Meaning
Green "Power" LED	On	AS-i bus voltage present
	Off	No AS-i bus voltage
Red "fault" LED	On	No exchange with the Master (Communication fault on AS-i bus)
		Addressing fault (address is factory-set to 0)
	Flashing	No 24V DC auxiliary voltage
		Motor feed engaged in the "TRIP" position
Off	No fault	

Installation

The AS-i ASILUFC5 or ASILUFC51 communication module is easily installed in the power base (LUB••/LUS•• or LU2B••/LU2S••) under the LUC••BL control unit that locks it into position.

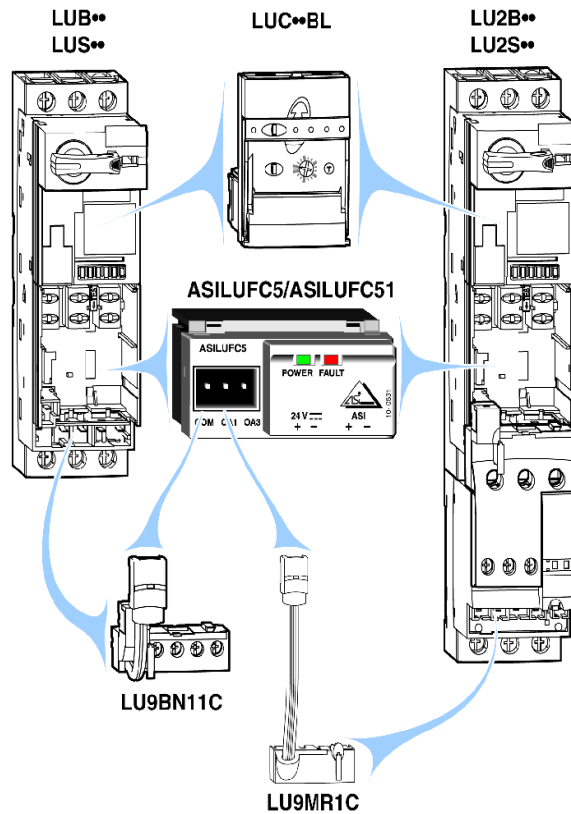
It must be assembled in the following order:

1. Install the ASILUFC5 or ASILUFC51 module.
2. Install the LUC••BL control unit.

Note: The control unit must be 24V DC.

3. The Output control connector can be connected by wire using LUBN11C cable (for LUB••/LUS••) or LU9MR1C cable (for LU2B••/LU2S••).

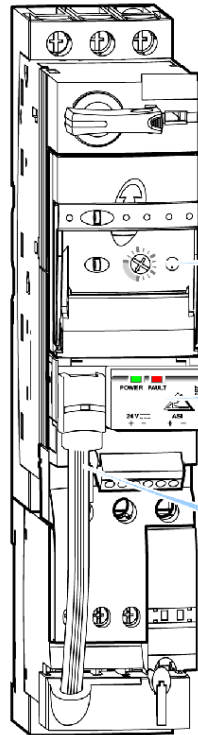
Note: Direct wiring can be used, for example, to insert external stop control or a voltage interface.



Once all components have been installed, here are complete power bases:

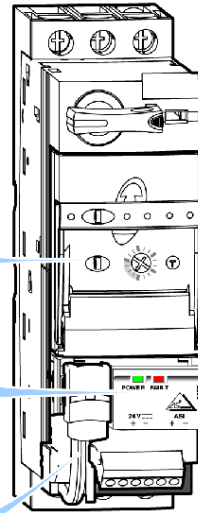
Assembled module

**LU2B••
LU2S••**



Assembled module

**LUB••
LUS••**



**LUC••BL
control unit**

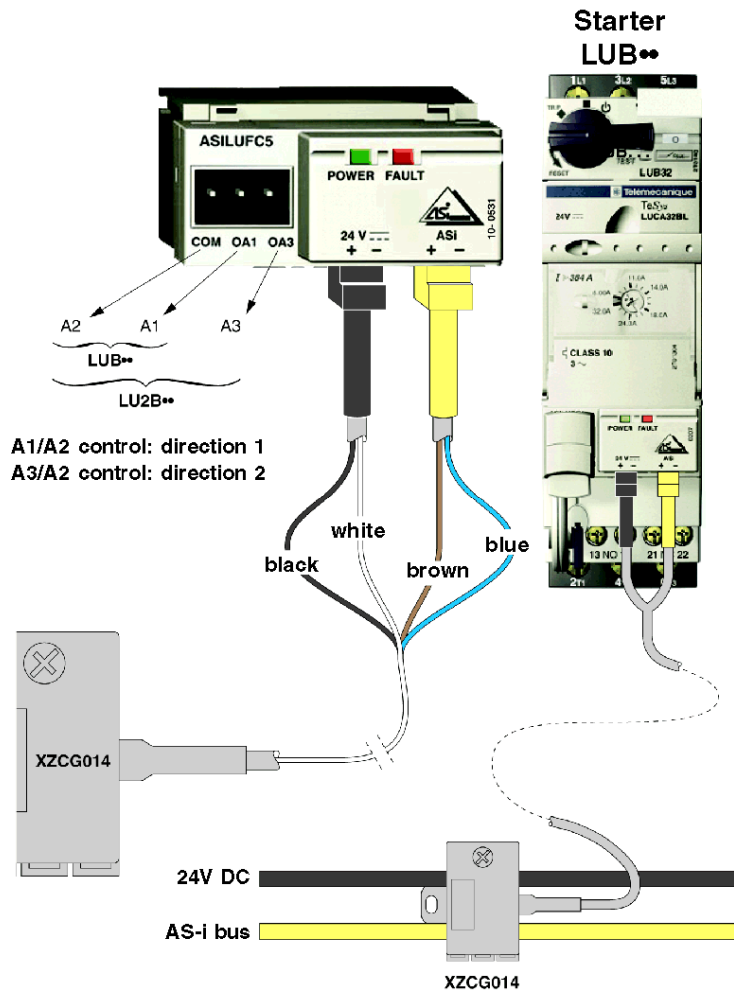
**ASILUFC5
ASILUFC51
comm. module**

**LU9••C
prewired coil**

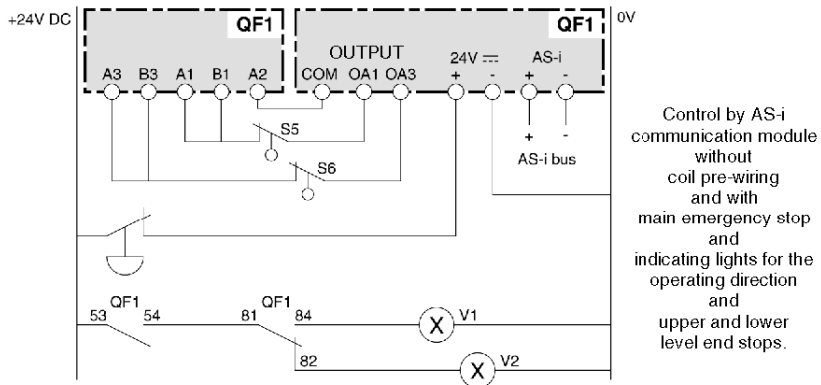
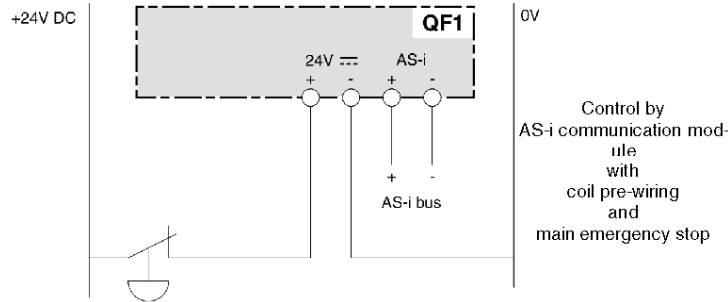
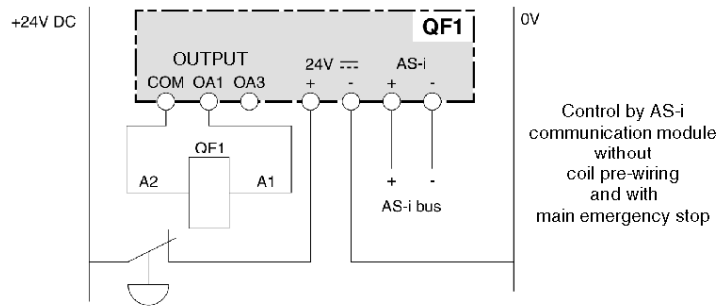
Connections

Electrical Connections

The connections to the AS-i bus and auxiliary 24V DC are made using XZCG** connecting accessories.



Examples of Application Diagrams



Connection Capacities

The following table shows the conductor cross-sections that may be used on ASILUFC5 / ASILUFC51 terminals:

Connection	Conductor type	AS-i / 24V aux Conductor Cross-section (min. - max.)	Control / Monitor Conductor Cross-section (min. - max.)
1 conductor	<ul style="list-style-type: none"> Rigid conductor Flexible conductor 	<ul style="list-style-type: none"> 0.2 ... 1.5 mm² [24 ... 16 AWG] 0.2 ... 1.5 mm² [24 ... 16 AWG] 	<ul style="list-style-type: none"> 0.14 ... 1 mm² [26 ... 18 AWG] 0.14 ... 1 mm² [26 ... 18 AWG]
	Flexible conductor with cable end: <ul style="list-style-type: none"> without an insulating inlet taper with an insulating inlet taper 	<ul style="list-style-type: none"> 0.25 ... 1.5 mm² [24 ... 16 AWG] 0.25 ... 1.5 mm² [24 ... 16 AWG] 	<ul style="list-style-type: none"> 0.25 ... 1.0 mm² [24 ... 18 AWG] 0.25 ... 0.5 mm² [24 ... 20 AWG]
2 conductors (same cross-section)	<ul style="list-style-type: none"> 2 rigid conductors 2 flexible conductors 2 flexible conductors with cable end: <ul style="list-style-type: none"> without an insulating inlet taper with an insulating inlet taper 	<ul style="list-style-type: none"> 0.2 ... 1.0 mm² [24 ... 18 AWG] 0.2 ... 1.0 mm² [24 ... 18 AWG] 0.25 ... 1.0 mm² [24 ... 18 AWG] 0.5 ... 1.5 mm² [20 ... 16 AWG] 	<ul style="list-style-type: none"> 0.14 ... 0.5 mm² [26 ... 20 AWG] 0.14 ... 0.75 mm² [26 ... 20 AWG] 0.25 ... 0.34 mm² [24 ... 22 AWG] 0.5 mm² [20 AWG]

Connectors	2 pins	3 pins
Pitch	5.08 mm [0.20 in.]	3.81 mm [0.15 in.]
Tightening torque	4.4 to 5.3 lb-in [0.5 / 0.6 N.m.]	4.4 to 5.3 lb-in [0.5 / 0.6 N.m.]
Flat screwdriver	3.5 mm [0.14 in.]	2.5 mm [0.10 in.]

Technical Characteristics

Technical Characteristics

Module certification	ASI	
Protection class	Complying with IEC 539	IP20
Immunity to fast transients	Complying with IEC 1000-4-4 / EN 610004-4 level 4	2kV
AS-i power supply		26.5V - 31.6V
Current consumed	On the AS-i bus	25mA in normal operation. 30mA in fault.
Auxiliary power supply		24V DC +/- 30%
Current consumed	On the 24V auxiliary	Depends on the load connected to the outputs. Limited to 500mA
Relay output rating	Short-circuit and overload protected	0.5A / 24V

Software Implementation

2

Overview

Hardware implementation of an ASILUFC5 / ASILUFC51 AS-i communication module is being followed by its software implementation.

What's in this Chapter?

This chapter contains the following topics:

Topic	Page
Configuration Software	20
Addressing	21
Description of the I/O Variables on the ASILUFC5/ASILUFC51 Module	22
Managing Faults	23

Configuration Software

AS-i Comm. Module and PL7 Software

The AS-i communication module is configured with the PL7 Micro/Junior/Pro software.

All the slave equipment corresponding to all the inputs/outputs of the AS-i bus can be configured from the PLC interface declaration screen.

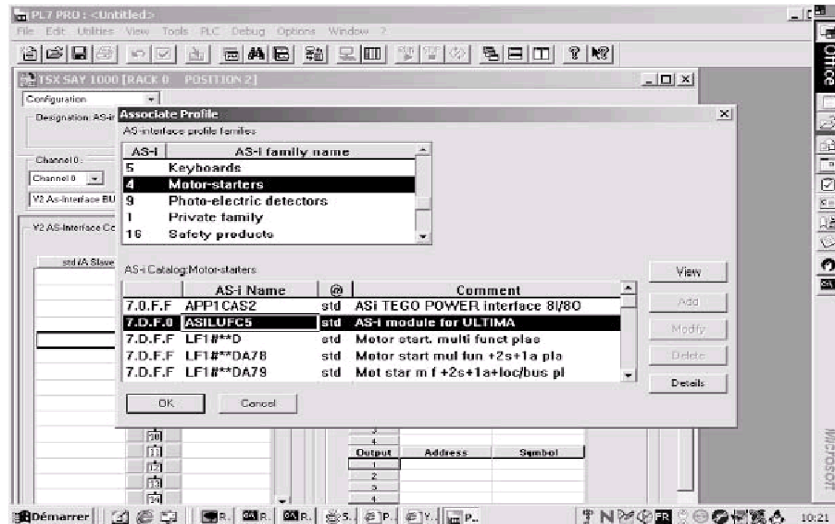
Used with the Master PLC interface TSXSAY 1000 and to retain interchangeability compatibility with the motor starters in box LF1/LF2.

The 7.D.F.0 motor start profile limits the configuration to 31 slave devices as a maximum. In fact, an ASILUFC5 / ASILUFC51 module occupies the 2 addresses of banks A and B. The 7.A.7.E motor start profile limits the configuration to 62 slave devices as a maximum.

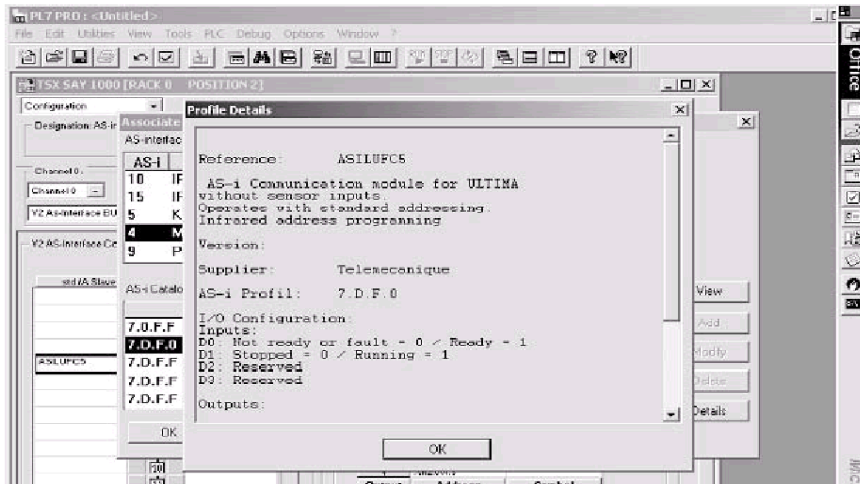
The ASILUFC5 configuration is guided by the screen sequence. The following is a configuration example with the Premium TSXSAY 1000 PLC interface.

Configuration Example (Steps 1-2)

Configuration example: step 1



Configuration example: step 2

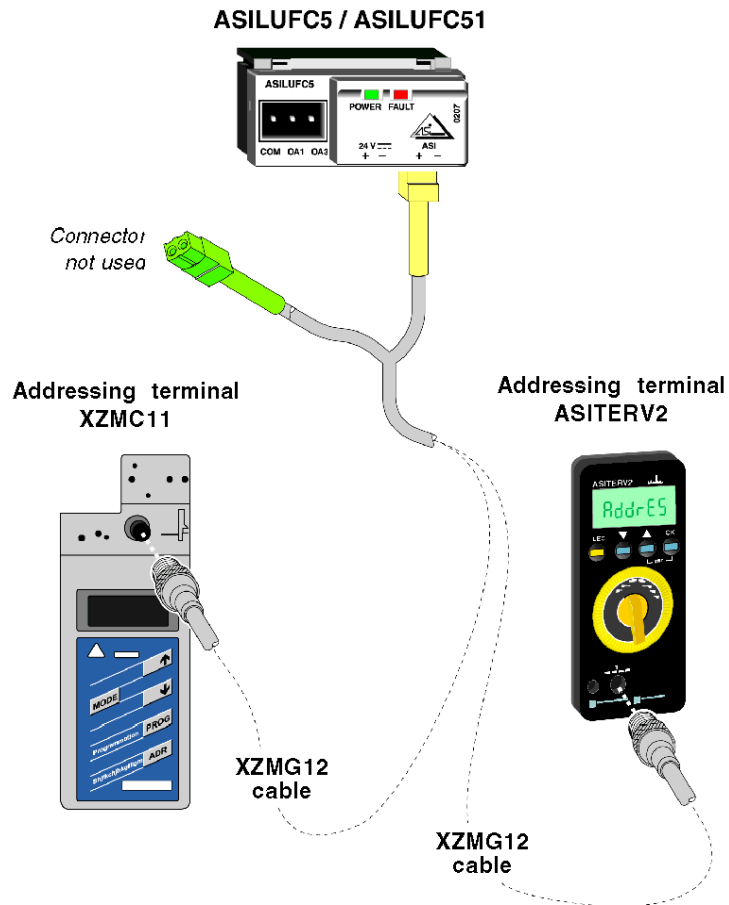


Addressing

Description of Addressing

Here is a view of the links with an addressing terminal, which can be of two different types:

- referenced as ASITERV2,
- referenced as XZMC11.



Description of the I/O Variables on the ASILUFC5/ASILUFC51 Module

AS-i Profiles

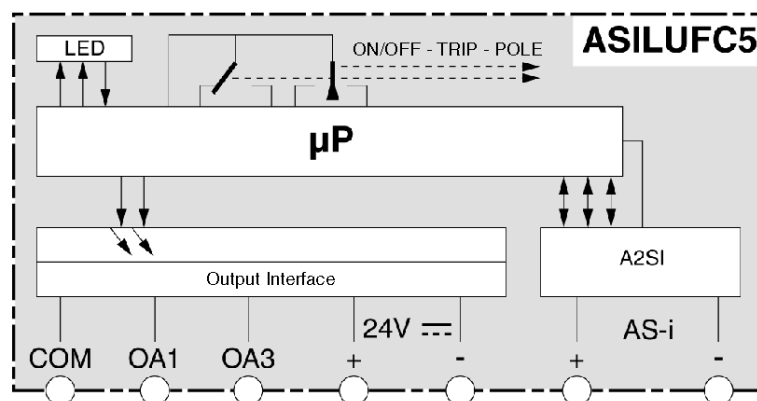
The following table describes the input and output variables associated to the AS-i profiles:

AS-i Profiles: 7.D.F.0 (for ASILUFC5) or 7.A.7.E (for ASILUFC51)			
Current consumed on the AS-i bus	15mA typical		
Bit value		= 0	= 1
Data bits (commands) (Outputs)	D0	Stop direct direction	Run forward direction
	D1	Stop reverse direction	Run reverse direction
	D2	Reserved	Reserved
	D3	Reserved	Reserved
Data bits (status) (Inputs)	D0	Not ready or in fault	Ready
	D1	Stopped	Running
	D2	Reserved	Reserved
	D3	Reserved	Reserved

If D0 and D1 output bits are set to 1 at the same time, the motor stops.

NOTE: The parameter bits are reserved.

Schematic diagram



The ON, OFF, TRIP and power contact states are transmitted via a mechanical link.

Managing Faults

Description of the Faults

Fault	Causes	Corrective actions
Green "Power" LED Off	No AS-i bus voltage	Check the state of the AS-i power supply
		Check the cables and the connecting terminals
		Check the polarity of the power supply wire
Red "Fault" LED flashing	No 24V DC auxiliary voltage	Check the state of the auxiliary power supply
		Check the cables and connection terminals
		Check the polarity of the power supply wire
	Motor feed engaged in the "TRIP" position	Remove the cause of the fault Rearm the product
Red "Fault" LED permanently On	No exchange with the Master (Communication fault on AS-i bus)	Check the connection to the Master
		Check if the Master is set to Run
		Check if the 24V AS-i and 24V DC auxiliary connections are not reversed
	Addressing fault (Address factory-set to 0)	Set an address from 1 to 31 (ASILUFC5) or 1 to 62 (ASILUFC51)

