

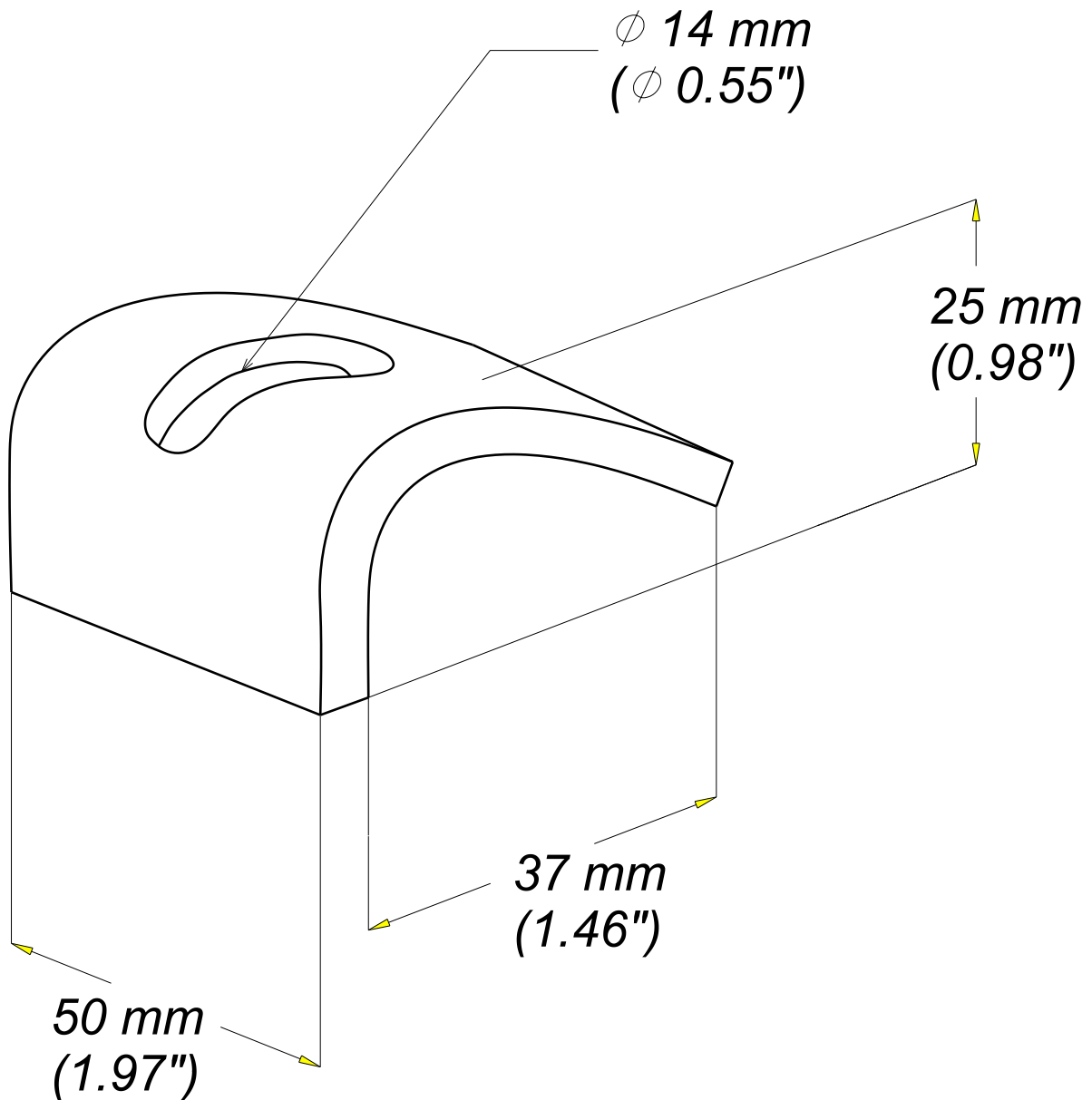
CALE DE FIXATION CFU  
CFU ATTACHMENT CLAMP

316L  
316L

**legrand** | CABLE  
MANAGEMENT

FT0208-4

04 16



EPAISSEUR / THICKNESS 6 / 0.24"	NORMES / STANDARD
MATIERE / MATERIAL X2 Cr Ni Mo 17-12-2	EN 10088-2
PROTECTION / COATING 316L	

REF	CODE	POIDS (Kg)	WEIGHT (lb)
CFU	559 064	0.160	0.353