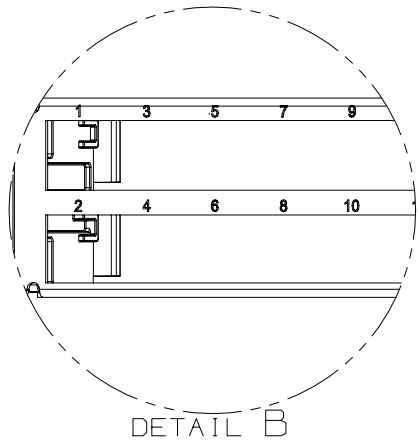
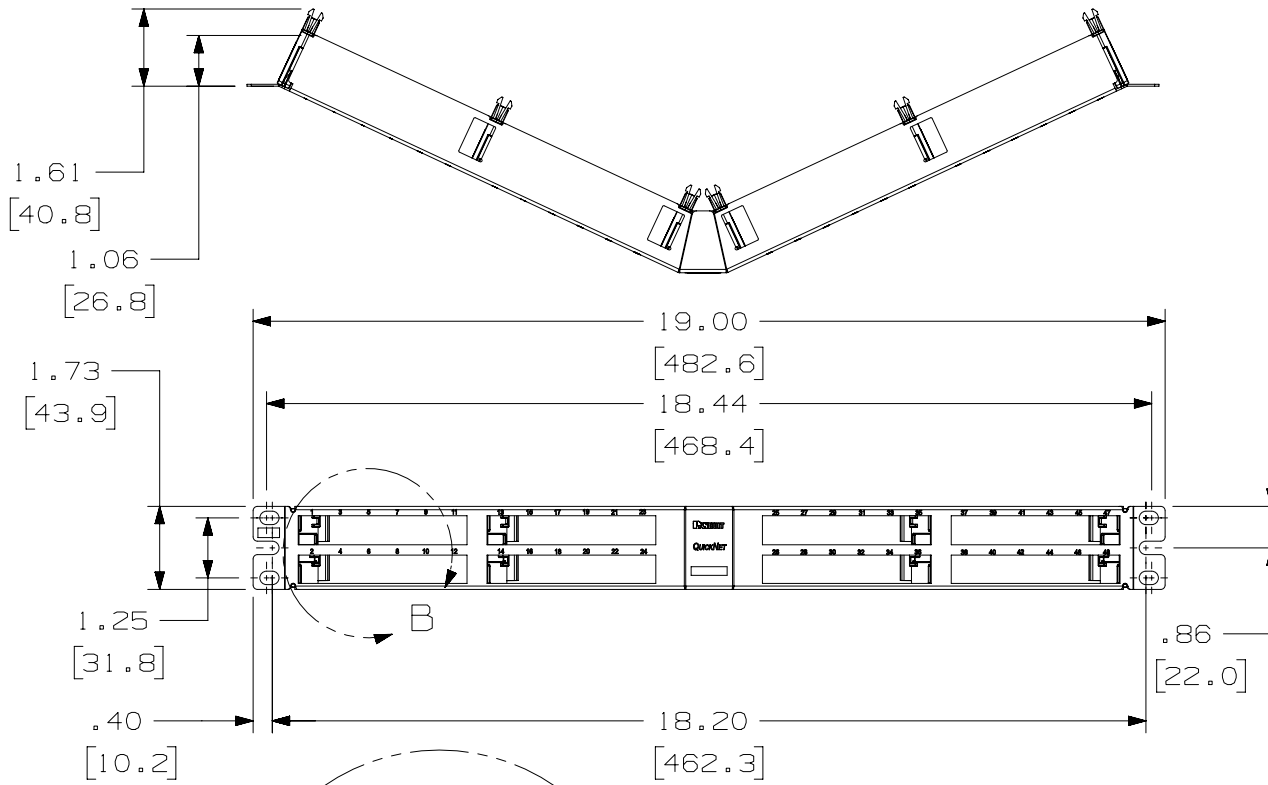


THIS COPY IS PROVIDED ON A RESTRICTED BASIS AND IS NOT TO BE USED IN ANY WAY DETRIMENTAL TO THE INTERESTS OF PANDUIT CORP.

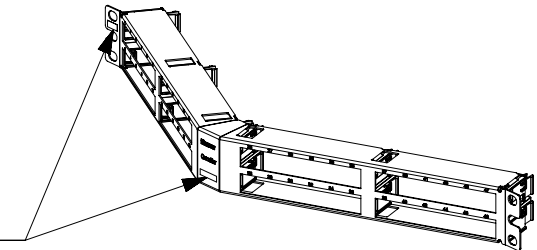


PAD PRINTING NOT AVAILABLE ON QAPP48HDVNSWH

PANDUIT PART NO.	WEIGHT (APPOX.)
QAPP48HDVNSBL	0.65 lb (294.8 g)
QAPP48HDVNSWH	0.65 lb (294.8 g)

NOTES:

- SEE CURRENT CATALOG FOR VARIOUS APPLICATIONS.
- THE PATCH PANEL HAS A VERTICAL NUMBERING SEQUENCE AND IS DESIGNED FOR MOUNTING TO 19" UNIVERSAL RACKS.
- DIMENSIONS IN BRACKETS ARE IN METRIC.
- PACKAGE CONTENTS:
1- METAL STAMPING WITH SLIDE GUIDES
1- SCREW KIT (INCLUDES FOUR #12-24 SCREWS)
1- SCREW KIT (INCLUDES FOUR M6 SCREWS)
- QAPP48HDVNSBL IS BLACK WITH WHITE SILKSCREENING.
QAPP48HDVNSWH IS WHITE WITH BLACK SILKSCREENING.



PART NUMBER QAPP48HDVNSBL / QAPP48HDVNSWH								
TITLE QUICKNET 48 PORT ANGLED PATCH PANEL WITH VERTICAL NUMBERING SEQUENCE								
CUSTOMER DRAWING								
ITEM REVISION NAME M02582DJ/01	PANDUIT							
DATASET FILE NAME M02582DJ_DC64/01A								
UNLESS OTHERWISE SPECIFIED, DIMENSIONAL TOLERANCES ARE: IN (mm) .x ± .03 (.8) .xxx ± .010 (.3) .xx ± .03 (.8) ANGLES ±								
THIRD ANGLE PROJECTION								
DRAWN BY MDJr	DATE 9-01-06							
CHK WFMI	SCALE NONE							
DRAWING NUMBER: 02582-64								
REV	DATE	BY	CHK	APR	DESCRIPTION	ECN	SHT 1 OF 1	SIZE A

2	12/28/17	BAME	KRKE	RWB	ADDED P/N QAPP48HDVNSWH	M09000HA
1	5/23/14	JSP	REFR	TMBA	A. REVISED DRAWING TITLE BLOCK.	02582-64
R	1-02-08	MDJr	WFMI	TRW	RELEASED TO PRODUCTION	02582-64

D101000DA/14