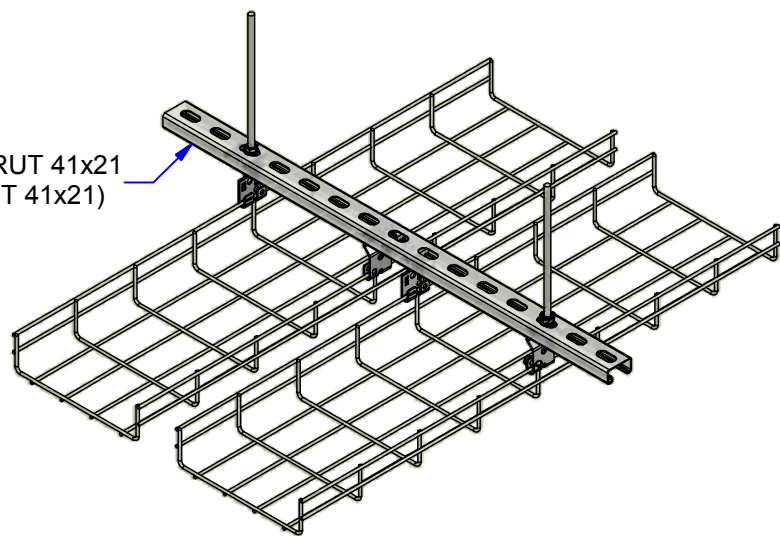
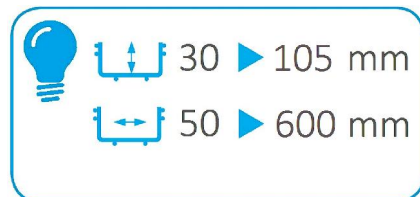


Rail STRUT 41x21
(STRUT 41x21)



Chemin de câbles fil
(Mesh tray)



www.niedaxfrance.fr

Description	Code	Masse/Weight Kg/p	Ep./Th. mm	daN
UFA ZM	553033	0,070	2,00	100

ZM : High performance coated zinc according to NF A 91102

ZM : Revêtement haute tenue corrosion suivant NF A 91102

ATTACHE BALANCELLE UFA ZM
UFA HANGING BRACKET ZM



ASSISTANCE TECHNIQUE
+33 (0)1 55 95 92 17
pole.technique@niedax.fr

FT02406

NIEDAX
France

