

CONSOLE C41S C41S BRACKET

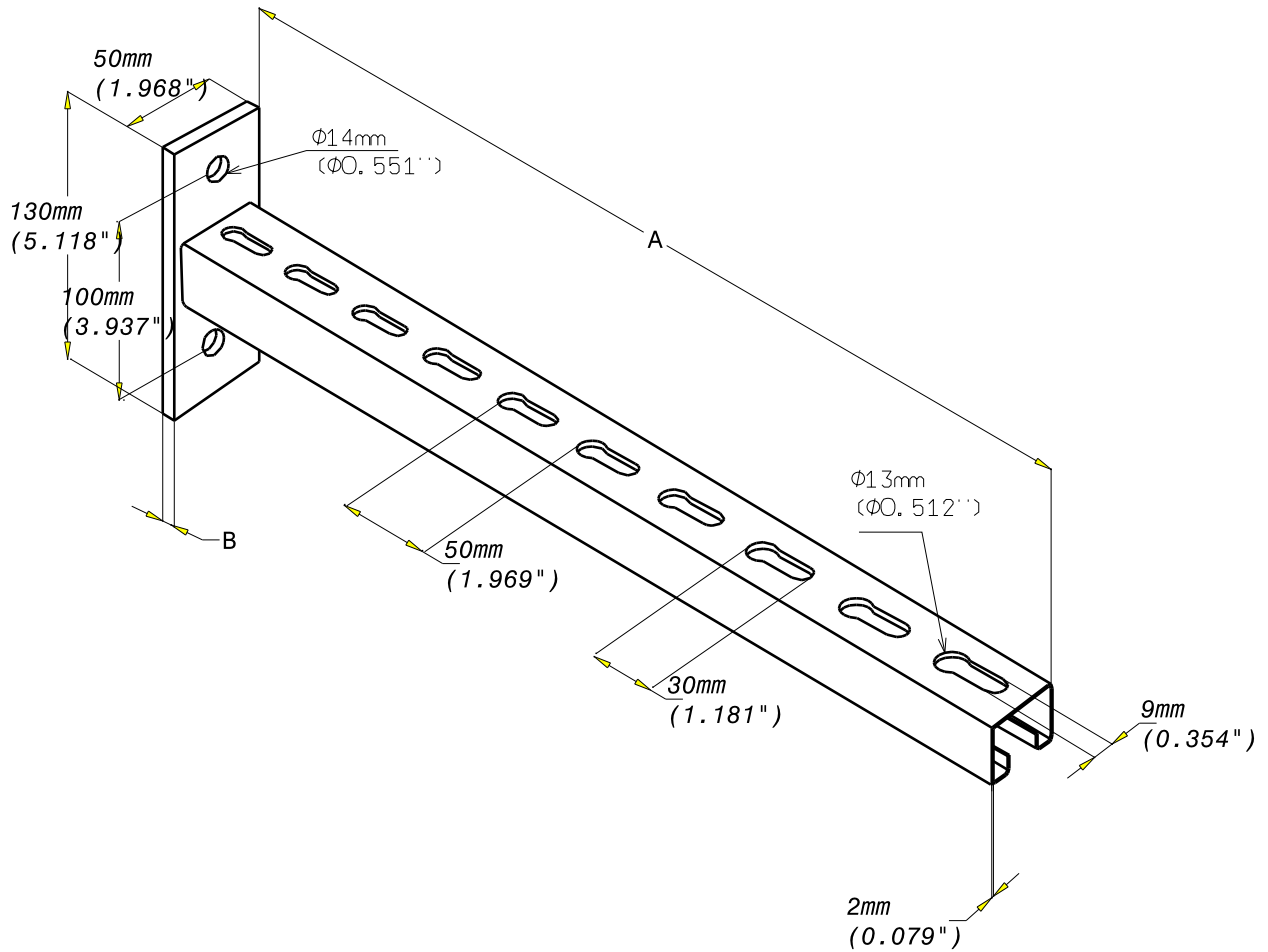
INOX 316L



CABLE
MANAGEMENT

FT0104-4

02-16



REF	CODE	POIDS (kg)	WEIGHT (lb)	A (mm)	A (inch)	B (mm)	B (inch)
C41S 150	595 014	0.683	1.507	150	5.90	6	0.24
C41S 200	595 024	0.803	1.773	200	7.87	6	0.24
C41S 300	595 034	1.063	2.346	300	11.81	6	0.24
C41S 400	595 044	1.313	2.898	400	15.75	6	0.24
C41S 500	595 054	1.674	3.213	500	19.68	8	0.31
C41S 600	595 064	1.924	3.693	600	23.62	8	0.31

NORMES / STANDARD

MATIERE / MATERIAL X2 Cr Ni Mo 17-12-2	EN 10 088-2
PROTECTION / COATING INOX 316L	

Propriété exclusive de LEGRAND, ne peut être ni copié, ni transmis à des tiers sans autorisation écrite.

Exclusive property of LEGRAND shouldn't be reproduced or transmitted to any people without written authorization