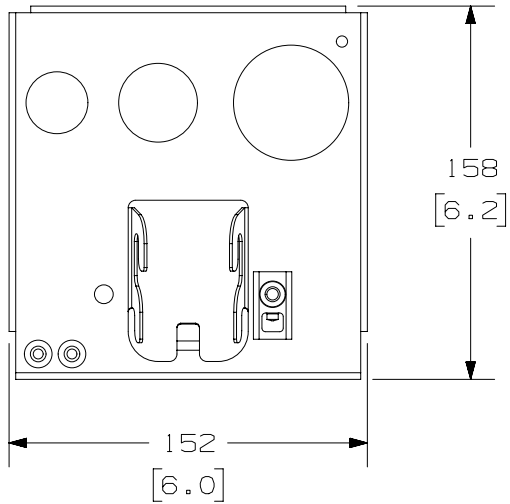
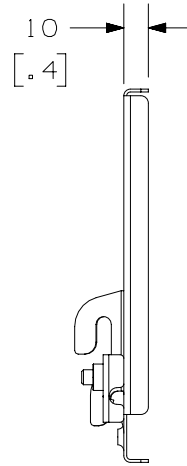
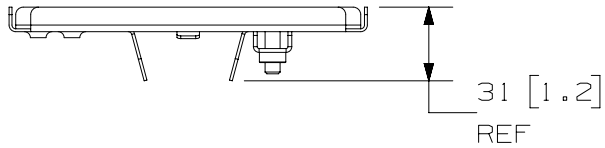


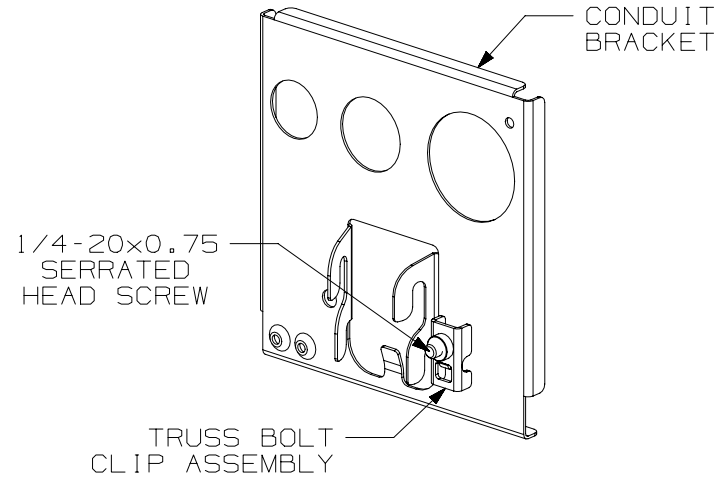
THIS COPY IS PROVIDED ON A RESTRICTED BASIS AND IS NOT TO BE USED IN ANY WAY DETRIMENTAL TO THE INTERESTS OF PANDUIT CORP.

NOTES

- SEE CATALOG FOR ADDITIONAL PART NUMBER SUFFIXES TO INDICATE PART FINISHES.
- PARTS SUPPLIED:
 - (1) CONDUIT BRACKET, FITTING FOR 3/4", 1" & 1-1/2" OPENINGS
 - (1) TRUSS BOLT CLIP ASSEMBLY
 - (1) 1/4-20x0.75" SERRATED HEAD SCREW
 - (1) OPTIONAL GROUNDING ACCESSORY GACBJ6*U (NOT SHOWN)
 - (1) INSTRUCTION SHEET (NOT SHOWN)
- PRIMARY DIMENSIONS ARE IN MILLIMETERS.



PANDUIT PART NO.	WEIGHT
WGCB3EZ	1.2 kg/EACH 0.54 LBS/EACH



00A	4/30/19	MEX-JAGC	FWI	FWI	DRAWING RELEASE				V09001YG/00
REV	DATE	BY	CHK	APR	DESCRIPTION	ECN			

TITLE WYR-GRID CONDUIT BRACKET WITH OPENINGS (WGCB3EZ) CUSTOMER DRAWING									
ITEM REVISION NAME 00371EAH/00									
DATASET FILE NAME 00371EAH_DC/00A									
MATERIAL: N/A									
DRAWING NUMBER: 00371EAH-DC									
DRAWN BY MEX-JAGC		DATE 4/30/19		CHK FWI		SCALE NONE		SHT 1 OF 1	
								SIZE A	

N:\GLOBAL_AS\SIZE

2

1

2

1