

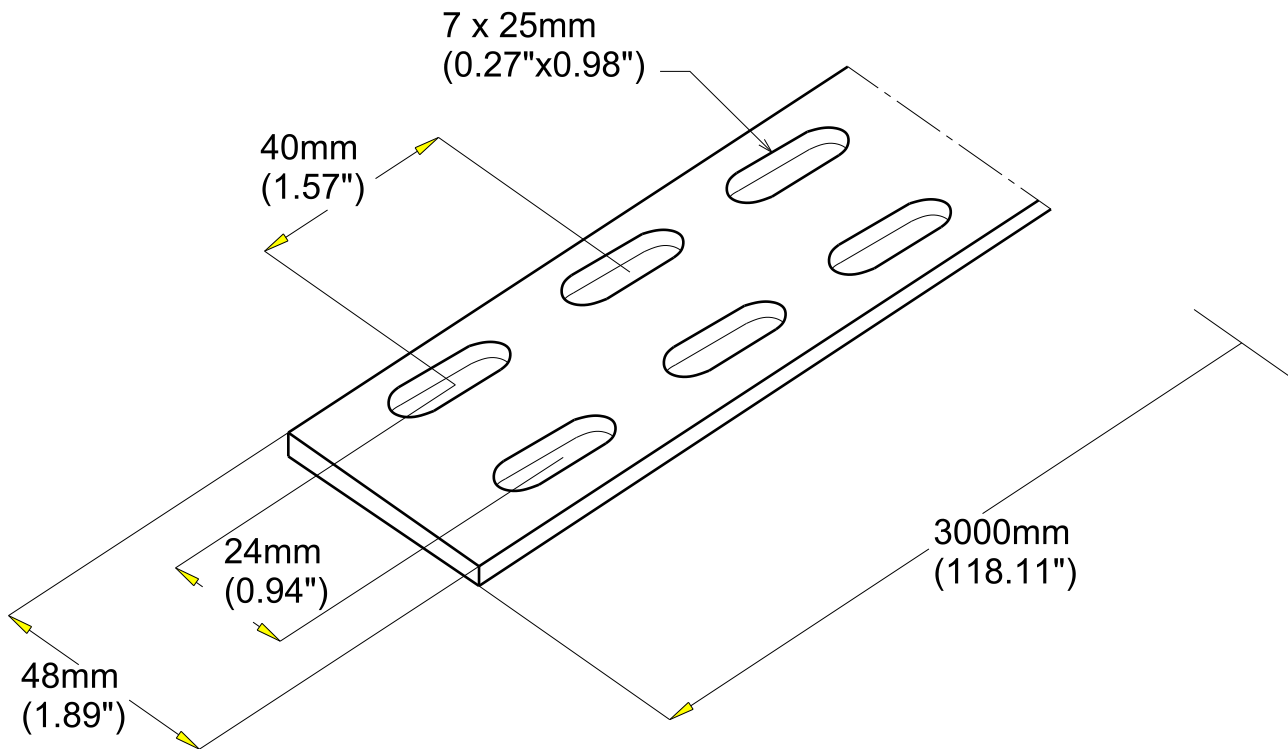
PROFIL PLAT PL48-175
 PL48-175 FLAT SECTION

GC
 HDG



FT0251-3

02 16



Material	Standard	Finishes	Standard
S235JR	EN 10025	Hot dip galvanized	EN ISO 1461

REF	CODE	POIDS (Kg/m)	WEIGHT (lb/ft)
PL 48-175	524 106	0.610	0.410

EPAISSEUR / THICKNESS
1.75 / (0.07")