

Part number

MBV 06 L50



Hood, BIG series, with 2 pegs, M50 top cable entry, size "44.27"

Product description		Material properties	
Product type	Hood	Other materials	Gasket: NBR
Series	BIG	Colour	RAL 7040 grey
Closing type	With 2 pegs	RoHs conformity	Compliant
Size	Size 44.27	China RoHs - EFUP	E
Cable entry	Top cable entry M50	REACH SVHC substances	No
Technical data		Approvals / Standards	
IP degree of protection	IP66	Certifications	DNV, BV
Further technical details		UL	ECBT2
Weight	400,00 g	cUL	ECBT8
Operating temperature range (min, max)	-40°C...+125°C	General ordering information	
		EAN13 code	8015747186896
		eCl@ss 8.1	27440202
		ETIM 7.0	EC000437
		Packaging Information	
		Packaging length	180,00 mm
		Packaging height	120,00 mm
		Packaging width	155,00 mm
		Packaging weight	1,62 kg
		Packaging volume	3,35 dm ³
		Packaging description	Carton box
		Packaging quantity	4 Pcs
		Packaging EAN code	8015747220811
		Sub-packaging weight	0,41 kg
		Sub-packaging description	Plastic packaging
		Sub-packaging quantity	1 Pcs
		Sub-packaging EAN barcode	8015747035736

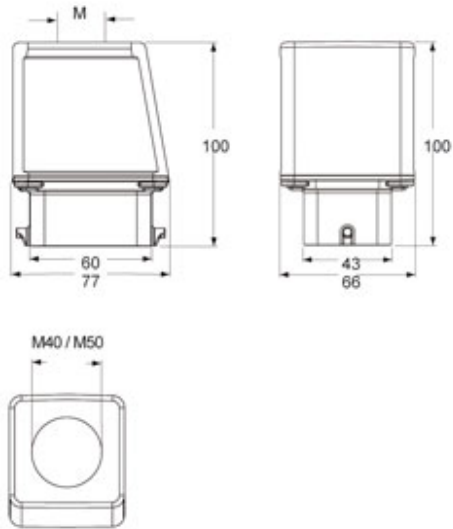
Part number

MBV 06 L50



Catalogue drawings

MBV 06 L



Notes

Dimensions shown in mm are not binding and may be changed without notice.
