



Fixing bases for
signal tower and
beacons -
Vertical wall
mount
8LT7BP02G

Product designation

Product type designation

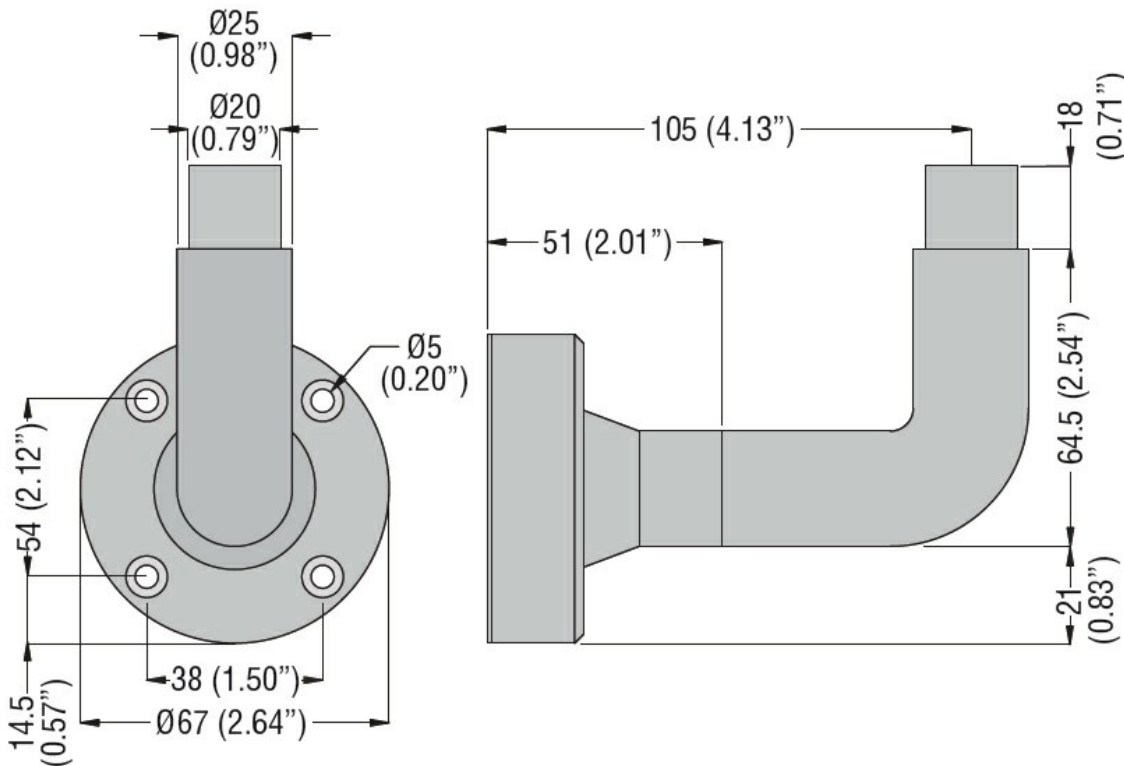
General characteristics

Diameter	mm - inch	62 / 2.44 - 70 / 2.75
Colour		Grey
Material		Plastic

Mechanical features

Weight	g	78
--------	---	----

Dimensions



Certifications and compliance

Compliance

/

Certificates

/

ETIM classification

ETIM 8.0

EC001153 - Wall
bracket for signal
tower