

Keyword:
XOL – Extended Operating Life

Model: SL-2870

Performance Data (Typical values for batteries stored at 25 °C for one year)

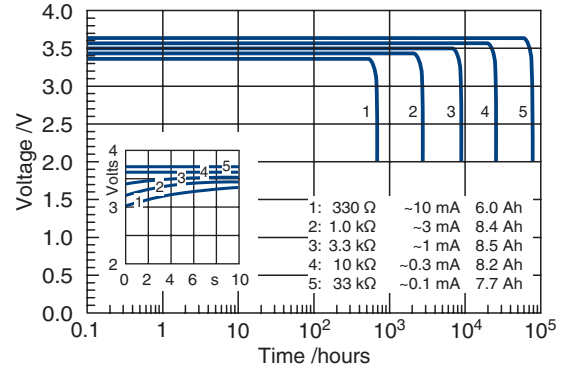
Performance Data	Size C
System	Li/SOCl ₂
Nominal voltage	3.6 V
Nominal capacity	8.5 Ah
Nominal current	3 mA
Max. continuous discharge current	75 mA
Max. pulse current capability	200 mA
Anode surface area	30 cm ²
Lithium content	2.5 g
Weight	50 g
Volume	26 cm ³
Temperature range	-55...+85 °C

WARNING:
 Fire, explosion, and severe burn hazard. Do not recharge, disassemble, heat above 100 °C, incinerate, or expose contents to water.

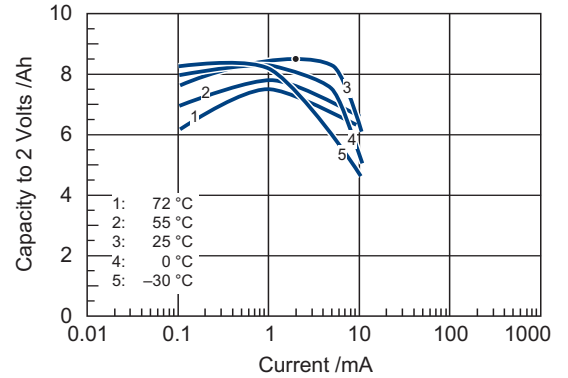
UL recognition under file MH 12827

See also our website under Products/Safety

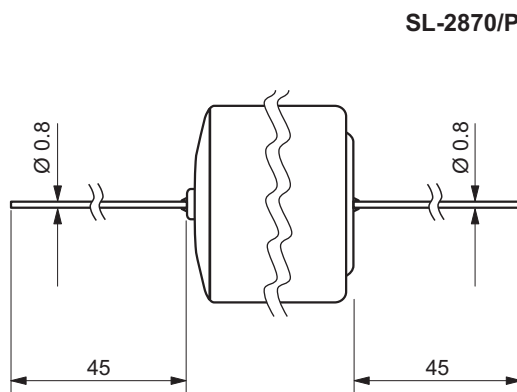
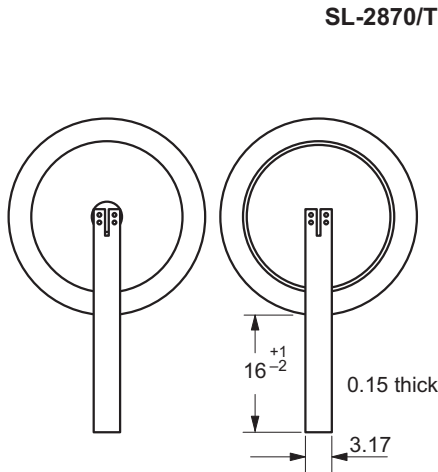
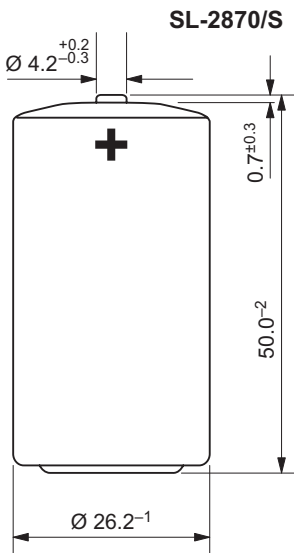
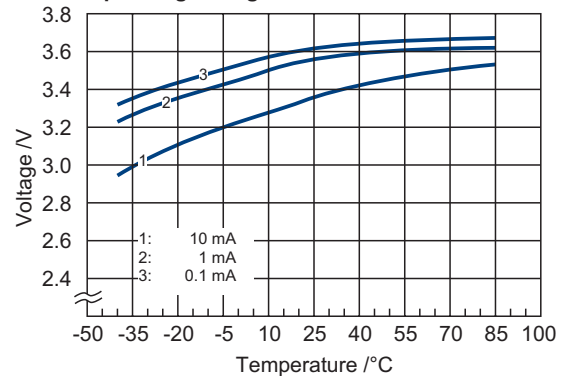
Typical Discharge Curves at +25°C



Available Capacity



Operating Voltage



Available Terminations

SL-2870/S	Standard
SL-2870/T	Tags
SL-2870/P	Pins

Catalogue No.

11 2 18701 00
11 2 18702 00
11 2 18703 00

Any values given here are for information purposes only. They also depend on actual conditions of use and are not warranties of future performance. Subject to change.