

PHILIPS

OCC0100A/02 BP Sensor WH,
OCC0101A/02 DL BP Sensor WH



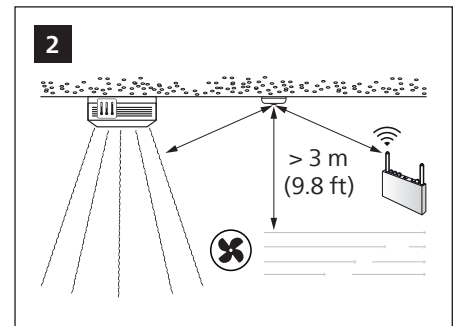
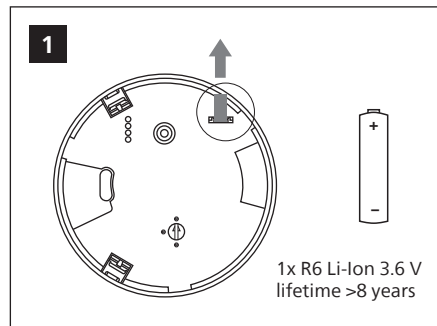
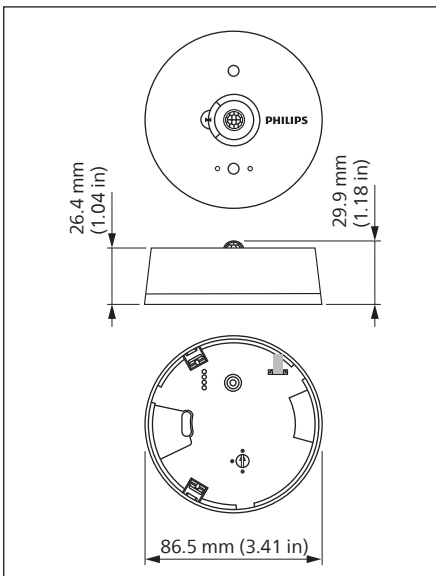
Installation Instructions

Instructions d'installation
Instrucciones de instalación

Istruzioni per l'installazione
Installatie-instructies

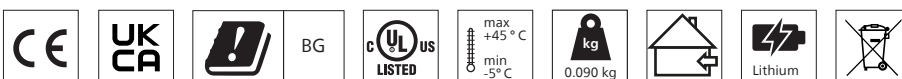
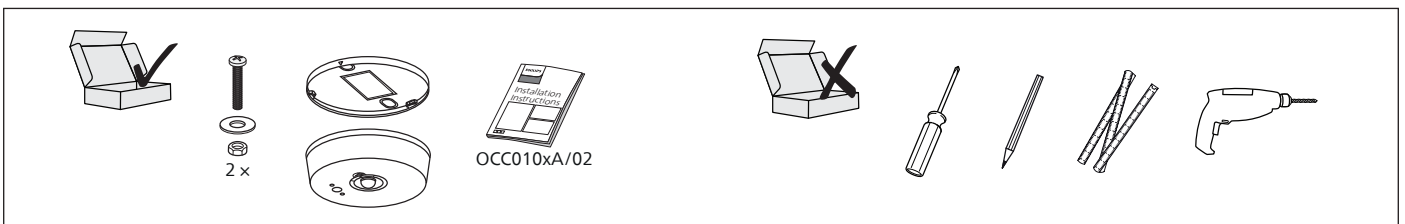
Installationsanweisungen
インストール手順

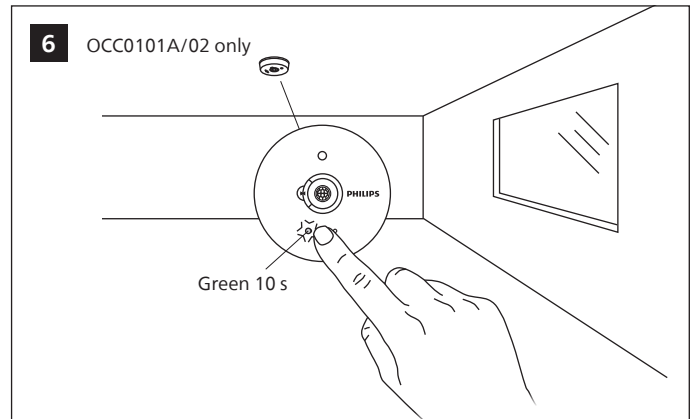
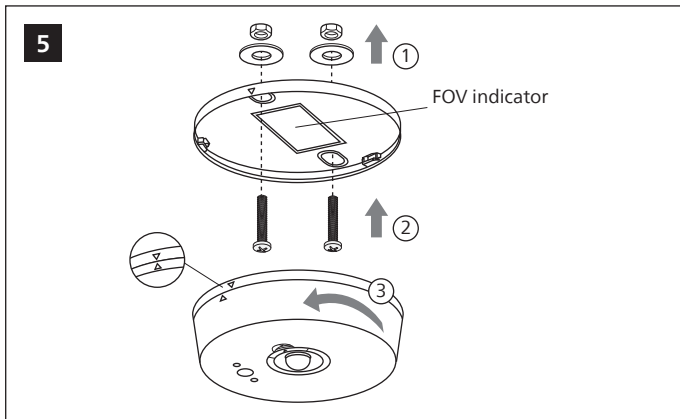
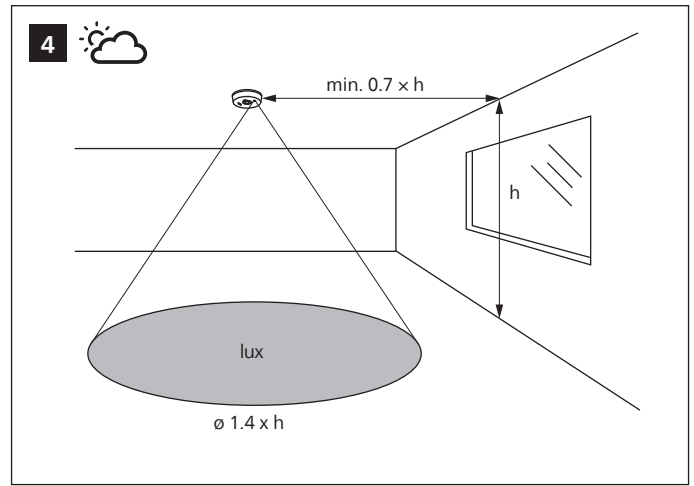
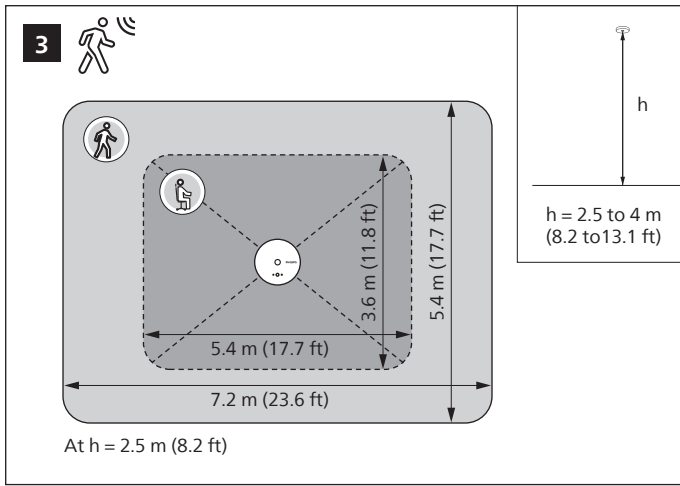
安裝指示书
إرشادات التركيب



Note
Battery replacement must be done by skilled or instructed person.

Caution
Risk of explosion if battery is replaced by an incorrect type.
Dispose of used batteries according to the instructions.





FCC Statement

This device complies with part 15 of the FCC Rules. Operation is subject to the following two conditions:

- (1) This device may not cause harmful interference, and (2) this device must accept any interference received, including interference that may cause undesired operation.

NOTE: This equipment has been tested and found to comply with the limits for a Class B digital device, pursuant to part 15 of the FCC Rules. These limits are designed to provide reasonable protection against harmful interference in a residential installation.

This equipment generates, uses and can radiate radio frequency energy and, if not installed and used in accordance with the instructions, may cause harmful interference to radio communications. However, there is no guarantee that interference will not occur in a particular installation.

If this equipment does cause harmful interference to radio or television reception, which can be determined by turning the equipment off and on, the user is encouraged to try to correct the interference by one or more of the following measures:

- Reorient or relocate the receiving antenna.
 - Increase the separation between the equipment and receiver.
 - Connect the equipment into an outlet on a circuit different from that to which the receiver is connected.
 - Consult the dealer or an experienced radio/TV technician for help.
- Changes or modifications not expressly approved by the party responsible for compliance could void the user's authority to operate the equipment.

This equipment complies with FCC radiation exposure limits set forth for an uncontrolled environment. This equipment should be installed and operated with a minimum distance of 200 mm between the radiator and a human body.

RF Exposure Information

This device meets the EU requirements (2014/53/EU) on the limitation of exposure of the general public to electromagnetic fields by way of health protection. The device complies with RF specifications when the device used at 200 mm from your body.

ISED Statement:

This device contains licence-exempt transmitter(s) that comply with Innovation, Science and Economic Development Canada's licence-exempt RSS(s). Operation is subject to the following two conditions:

- (1) this device may not cause interference, (2) this device must accept any interference, including interference that may cause undesired operation of the device.

© 2023-2024 Signify Holding. All rights reserved. Specifications are subject to change without notice. No representation or warranty as to the accuracy or completeness of the information included herein is given and any liability for any action in reliance thereon is disclaimed. Philips and the Philips Shield Emblem are registered trademarks of Koninklijke Philips N.V. All other trademarks are owned by Signify Holding or their respective owners.
4422 963 41133



11 January 2024

L'émetteur exempt de licence contenu dans le présent appareil est conforme aux CNR d'Innovation, Sciences et Développement économique Canada applicables aux appareils radio exempts de licence. L'exploitation est autorisée aux deux conditions suivantes :

- (1) L'appareil ne doit pas produire de brouillage; (2) L'appareil doit accepter tout brouillage radioélectrique subi, même si le brouillage est susceptible d'en compromettre le fonctionnement.

This equipment complies with ISED radiation exposure limits set forth for an uncontrolled environment. This equipment should be installed and operated with a minimum distance of 200 mm between the radiator and a human body. Cet équipement est conforme aux limites d'exposition aux rayonnements ISED établies pour un environnement non contrôlé. Cet équipement doit être installé et utilisé avec une distance minimale de 200 mm entre le radiateur et un corps humain.

Hereby, Signify declares that the radio equipment type OCC0100A-02 and OCC0101A/02 are in compliance with Directive 2014/53/EU. The full text of the EU declaration of conformity is available at the following Internet address: <http://www.philips.com/red>

- 此产品应用场景为照明控制，符合《微功率短距离无线电发射设备目录和技术要求》规定的F类设备，采用全向型天线，发射功率小于10毫瓦，工作频率为2.4 GHz，使用微功率短距离无线电发射设备应当符合国家无线电管理有关规定；
- 不得擅自改变使用场景或使用条件、扩大发射频率范围、加大发射功率（包括额外加装射频功率放大器），不得擅自更改发射天线；
- 不得对其他合法的无线电台（站）产生有害干扰，也不得提出免受有害干扰的保护；如对其他合法的无线电台（站）产生有害干扰时，应立即停止使用，并采取消除干扰后方可继续使用；
- 本产品当受到辐射射频能量的工业、科学及医疗（ISM）应用设备的干扰或其它合法的无线电台（站）干扰时，请咨询制造商；
- 在航空器内和依据法律法规、国家有关规定、标准规划的射电天文台、气象雷达站、卫星地球站（含测控、测距、接收、导航站）等军民用无线电台（站）、机场等电磁环境保护区域内使用微功率设备，应当遵守电磁环境保护及相关行业主管部门的规定

UK importer address:
Signify Commercial UK Limited
3, Guildford Business Park, GU2 8XG

www.philips.com/lighting

