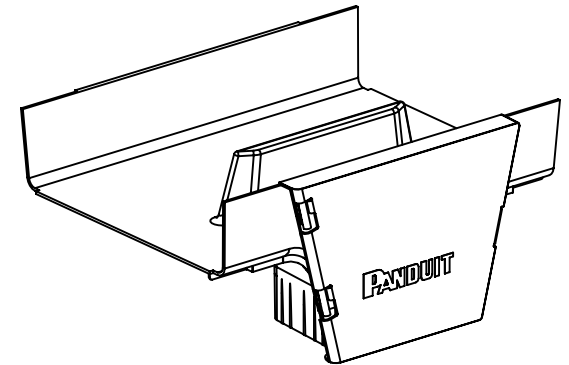
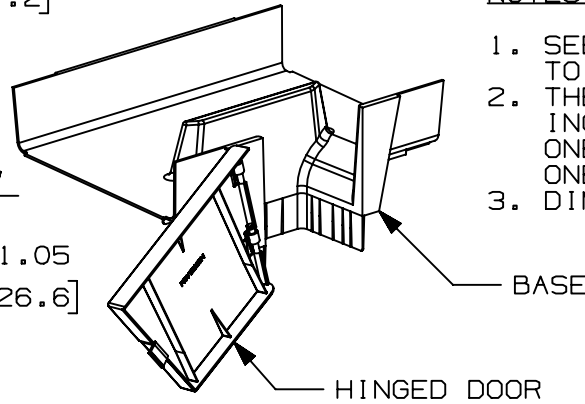
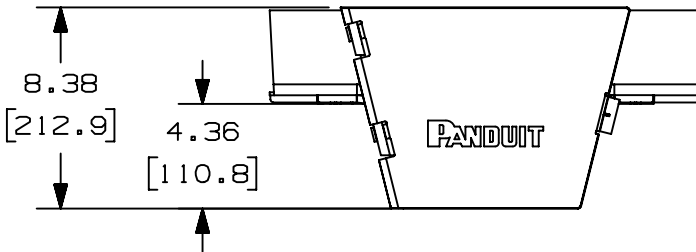
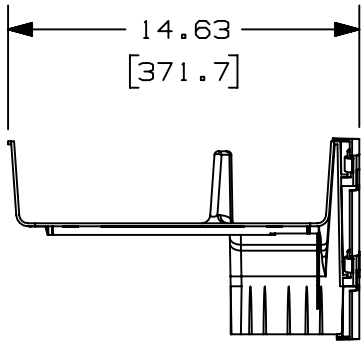
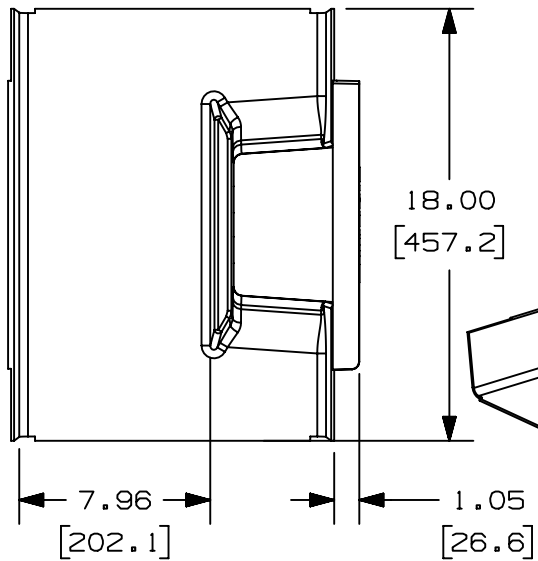


THIS COPY IS PROVIDED ON A RESTRICTED BASIS AND IS NOT TO BE USED IN ANY WAY DETRIMENTAL TO THE INTERESTS OF PANDUIT CORP.



PANDUIT PART NUMBER	WEIGHT	MATERIAL
FRVT12X4**	3.1 LB/EACH (1406g/EACH)	ABS
FRVT12X4L**	3.1 LB/EACH (1406g/EACH)	PC/ABS



NOTES:

- SEE CURRENT CATALOG FOR ADDITIONAL PART SUFFIXES TO INDICATE COLOR AND/OR PACKAGE QUANTITY.
- THE FIBERRUNNER 12x4 VERTICAL TEE FITTING INCLUDES:
ONE (1) VERTICAL TEE BASE,
ONE (1) HINGED DOOR
- DIMENSIONS IN PARENTHESES ARE IN METRIC.

REV	DATE	BY	CHK	APR	DESCRIPTION	ECN
04A	1-16-20	MES	DWR	DWR	H. ADDED FRVT12X4L** PART NUMBER	V09002DZ/01

TITLE					
FIBERRUNNER 12x4 VERTICAL TEE FITTING (FRVT12X4**, FRVT12X4L**) CUSTOMER DRAWING					
ITEM REVISION NAME					
D37617DM/02					
DATASET FILE NAME					
D37617DM_DC/04A					MATERIAL: SEE PART NUMBER TABLE ABOVE
UNLESS OTHERWISE SPECIFIED, DIMENSIONAL TOLERANCES ARE: IN (mm)					
.X ±		.XXX ±		THIRD ANGLE PROJECTION 	
.XX ± .03 [.8]		ANGLES ±			
DRAWING NUMBER:					
DRAWN BY	DATE	CHK	SCALE	SHT 1 OF 1	SIZE
JNHU	12-28-00	DJWA	NONE		A

D10100DA/15