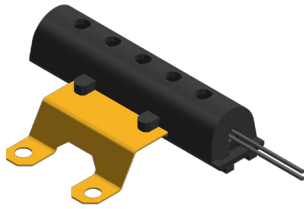
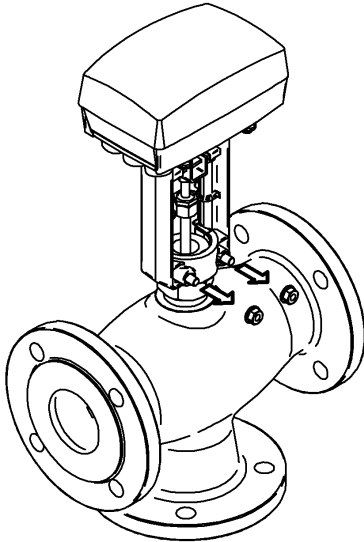


FYH050 Stem Heater

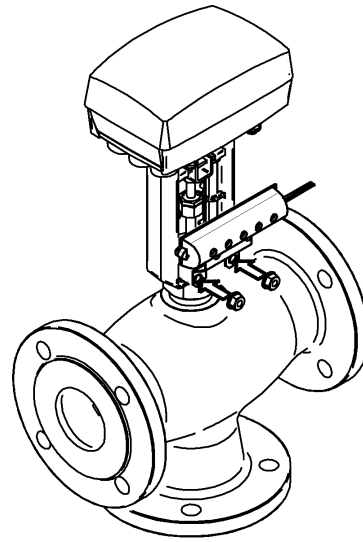
Part Number: 8800109000



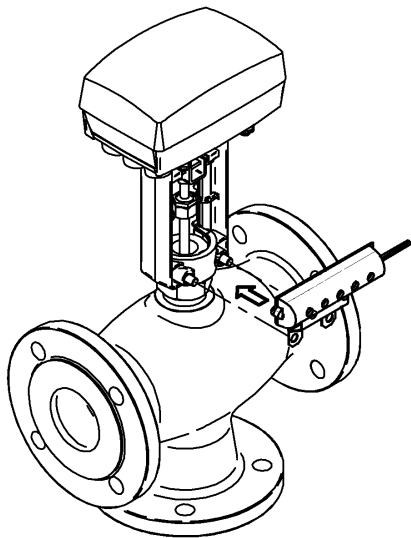
Part number	Supply (Vac)	Power (W)
8800109000	24	50



Remove the yoke brace nuts



position the heater over the brace bar as shown



Re-mount the brace bar nuts tightening the yoke heater to the actuator and securing on to the valve.

NOTE:

To avoid personal injury, safe working practices should always be followed when dismantling actuators from valves. It is recommended that the hydronic system is isolated and depressurised before detaching the brace bar bolts.

