

---

Original instructions

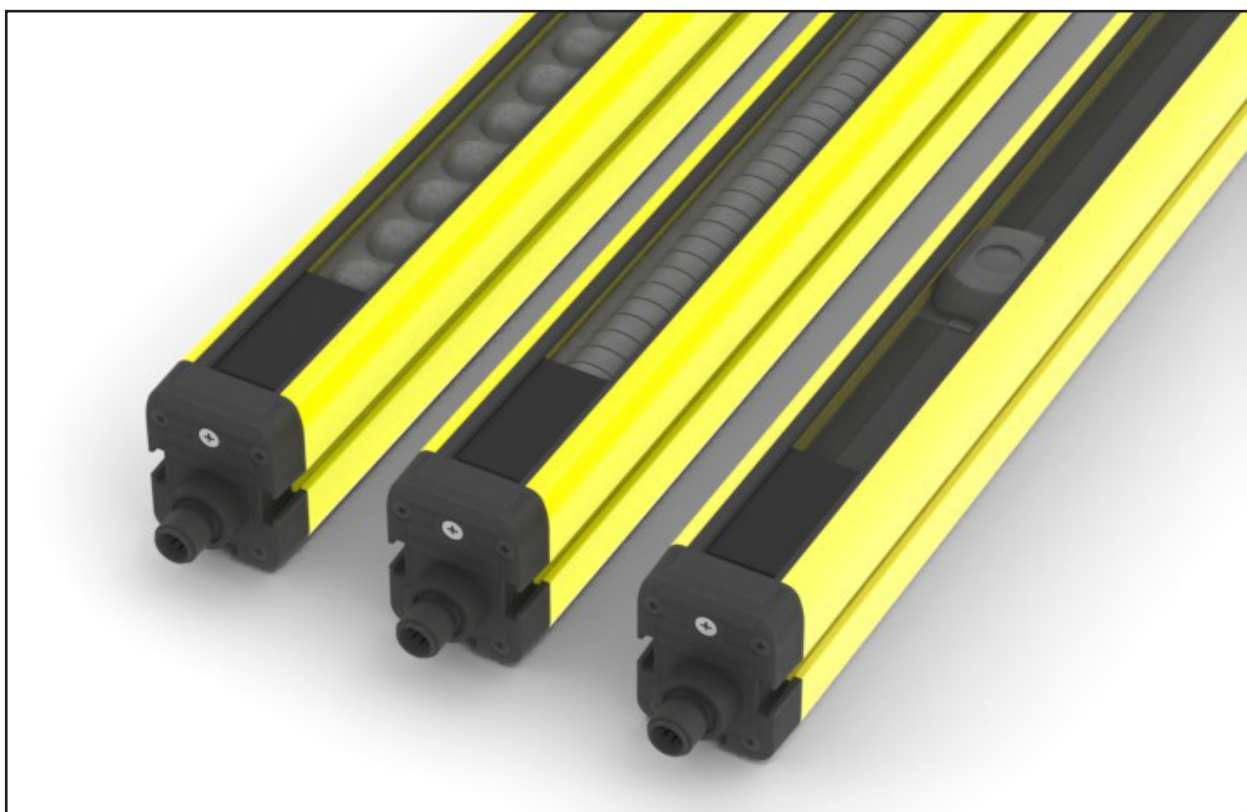
# Focus II

Light grid / Light curtain

---

Active optoelectronic protective device (AOPD)

Focus II Type 4



2TLC172015M0201, rev. D

## ***Read and understand this document***

Please read and understand this document before using the products. Please consult your ABB AB JOKAB SAFETY representative if you have any questions or comments.

### **WARRANTY**

ABB AB JOKAB SAFETY's exclusive warranty is that the products are free from defects in materials and workmanship for a period of one year (or other period if specified) from date of sale by ABB AB JOKAB SAFETY. ABB AB JOKAB SAFETY MAKES NO WARRANTY OR REPRESENTATION, EXPRESSED OR IMPLIED, REGARDING NON-INFRINGEMENT, MERCHANTABILITY, OR FITNESS FOR PARTICULAR PURPOSE OF THE PRODUCTS, ANY BUYER OR USER ACKNOWLEDGES THAT THE BUYER OR USER ALONE HAS DETERMINED THAT THE PRODUCTS WILL SUITABLY MEET THE REQUIREMENTS OR THEIR INTENDED USE. ABB AB JOKAB SAFETY DISCLAIMS ALL OTHER WARRANTIES, EXPRESSED OR IMPLIED.

### **LIMITATIONS OF LIABILITY**

ABB AB JOKAB SAFETY SHALL NOT BE RESPONSIBLE FOR SPECIAL, INDIRECT, OR CONSEQUENTIAL DAMAGES, LOSS OF PROFITS OR COMMERCIAL LOSS IN ANY WAY CONNECTED WITH THE PRODUCTS, WHETHER SUCH CLAIM IS BASED ON CONTRACT, WARRANTY, NEGLIGENCE, OR STRICT LIABILITY. In no event shall responsibility of ABB AB JOKAB SAFETY for any act exceed the individual price of the product on which liability asserted.

IN NO EVENT SHALL ABB AB JOKAB SAFETY BE RESPONSIBLE FOR WARRANTY, REPAIR, OR OTHER CLAIMS REGARDING THE PRODUCTS UNLESS ABB AB JOKAB SAFETY'S ANALYSIS CONFIRMS THAT THE PRODUCTS WERE PROPERLY HANDLED, STORED, INSTALLED, AND MAINTAINED AND NOT SUBJECT TO ABUSE, MISUSE, OR INAPPROPRIATE MODIFICATION OR REPAIR.

### **SUITABILITY FOR USE**

ABB AB JOKAB SAFETY shall not be responsible for conformity with any standards, codes, or regulations that apply to the combination of products in the customer's application or use of the product.

At the customer's request, ABB AB JOKAB SAFETY will provide applicable third party certification documents identifying ratings and limitations of use that apply to the products. This information by itself is not sufficient for a complete determination of the suitability of the products in combination with the end product, machine, system, or other application or use.

The following are some examples of applications for which particular attention must be given. This is not intended to be an exhaustive list of all possible uses of the products, nor is it intended to imply that the uses listed may be suitable for the products:

- Outdoor use, uses involving potential chemical contamination or electrical interference, or conditions or uses not described in this document.
- Nuclear energy control systems, combustion systems, railroad systems, aviation systems, medical equipment, amusement machines, vehicles, and installations subject to separate industry or government regulations.
- Systems, machines, and equipment that could present a risk to life or property.

Please know and observe all prohibitions of use applicable to the products.

NEVER USE THE PRODUCTS FOR AN APPLICATION INVOLVING SERIOUS RISK TO LIFE OR PROPERTY WITHOUT ENSURING THAT THE SYSTEM AS A WHOLE HAS BEEN DESIGNED TO ADDRESS THE RISKS, AND THAT THE ABB AB JOKAB SAFETY PRODUCT IS PROPERLY RATED AND INSTALLED FOR THE INTENDED USE WITHIN THE OVERALL EQUIPMENT OR SYSTEM.

### **PERFORMANCE DATA**

While every effort has been taken to ensure the accuracy of the information contained in this manual, ABB AB JOKAB SAFETY cannot accept responsibility for errors or omissions and reserves the right to make changes and improvements without notice. Performance data given in this document is provided as a guide for the user in determining suitability and does not constitute a warranty. It may represent the result of ABB AB JOKAB SAFETY's test conditions, and the users must correlate it to actual application requirements. Actual performance is subject to the ABB AB JOKAB SAFETY Warranty and Limitations of Liability.

## Table of contents

<b>1</b>	<b>System Overview and Applications .....</b>	<b>5</b>
1.1	General Data.....	6
1.2	Maintenance.....	6
1.3	Important information .....	6
<b>2</b>	<b>Function and Possibilities (Short Description) .....</b>	<b>7</b>
<b>3</b>	<b>Mechanical Installation.....</b>	<b>9</b>
3.1	Mechanical Assembly.....	9
3.2	Alignment Procedure.....	10
3.3	Calculation of Minimum Distance for Installation .....	11
<b>4</b>	<b>Electrical Installation .....</b>	<b>15</b>
4.1	Important Notes on Installation .....	15
4.2	Connection of Cable C5, C8 in M12 C01-C04 Connectors.....	16
4.3	Setting up of Internal Change-Over Switches Transmitter .....	17
4.4	Setting up of Internal Change-Over Switches Receiver.....	18
4.5	Setting up Scan Codes .....	20
4.6	Choice of Reset Procedure .....	20
<b>5</b>	<b>Connection Examples.....</b>	<b>21</b>
5.1	Connection Example, Basic with and without muting.....	21
5.2	Connection Example, for connection to safety relay .....	22
5.3	Connection Example, muting unit to safety relay .....	23
5.4	Connection Example, Vital / Pluto with Tina units .....	23
5.5	Connection Example, Pluto.....	24
5.6	Connection Example, connection required to enable coding .....	24
5.7	Specifications for Available Variants .....	25
5.8	Dimensional Drawing .....	27
5.9	Label description .....	27

---

<b>6</b>	<b>Muting .....</b>	<b>28</b>
6.1	Muting, Installation .....	28
6.2	Muting, Modes.....	29
6.3	T-Activation Mode .....	30
6.4	L-Activation Mode .....	31
6.5	X-Activation Mode .....	32
6.6	Partial Muting .....	32
<b>7</b>	<b>Override .....</b>	<b>34</b>
<b>8</b>	<b>Pre-reset function .....</b>	<b>35</b>
<b>9</b>	<b>Blanking .....</b>	<b>36</b>
<b>10</b>	<b>Single/Double Break function .....</b>	<b>39</b>
10.1	Single Break function .....	40
10.2	Double Break function.....	40
<b>11</b>	<b>External Device Monitoring (EDM) .....</b>	<b>41</b>
<b>12</b>	<b>Checkout Procedure .....</b>	<b>42</b>
<b>13</b>	<b>Transmitter LED Information.....</b>	<b>43</b>
<b>14</b>	<b>Receiver LED Information .....</b>	<b>44</b>
<b>15</b>	<b>Regular checkout and test .....</b>	<b>46</b>
<b>16</b>	<b>Technical specifications.....</b>	<b>47</b>
<b>17</b>	<b>Accessories, cables.....</b>	<b>49</b>
<b>18</b>	<b>Wet enclosure.....</b>	<b>50</b>
<b>19</b>	<b>Bjorn - stands .....</b>	<b>51</b>
<b>20</b>	<b>Dimensions of brackets and profile.....</b>	<b>53</b>
<b>21</b>	<b>Dimensions of MFII mirrors and bracket .....</b>	<b>54</b>
<b>22</b>	<b>Variant list and general schedule .....</b>	<b>55</b>
<b>23</b>	<b>Checkout procedure log.....</b>	<b>57</b>
<b>24</b>	<b>Test procedure log .....</b>	<b>58</b>
<b>25</b>	<b>Declaration of conformity.....</b>	<b>59</b>

# 1 System Overview and Applications

## Summary - Focus II light curtain/grid, Type 4 (FII-4-)

Type 4	FII-4-14-zzzz	FII-4-30-zzzz	FII-4-K4-zzzz	FII-4-K3-800	FII-4-K2-500	FII-4-K4-zzzz D	FII-4-K3-800 D	FII-4-K2-500 D	FII-4-K2C-zzzz	FII-4-K2C-800	FII-4-K1C-500	
Resolution	14	30	300	400	400	500	300	400	500	300	400	500
Beam distance	150 300 450 600 750 900 1050 1200 1350 1500 1650 1800 1950 2100 2250 2400	150 300 450 600 750 900 1050 1200 1350 1500 1650 1800 1950 2100 2250 2400	300 400	400	500	300 400	400	500	300 400	400	500	
Height (mm=zzzz) See 5.7			900 1200	800	500	900 1200	800	500	900 1200	800	500	
Range (m) SR LR	0.2-3 3-6	0.2-7 7-14	0.5-20 20-40	0.5-20 20-40	0.5-20 20-40	0.5-20 20-40	0.5-20 20-40	0.5-20 20-40	0.5-7 7-14	0.5-8 8-14	0.5-12 12-18	
Reaction time off (ms)	See 5.7	See 5.7	13	13	13	13	13	13	13	13	13	
Reaction time on (ms)	See 5.7	See 5.7	142	142	142	142	142	142	142	142	142	
Manual reset	•	•	•	•	•	•	•	•	•	•	•	
Automatic reset	•	•	•	•	•	•	•	•	•	•	•	
Pre reset	•	•	•	•	•	•	•	•	•	•	•	
Muting inputs	•	•	•	•	•	•	•	•	•	•	•	
Muting lamp supervision	•	•	•	•	•	•	•	•	•	•	•	
Override	•	•	•	•	•	•	•	•	•	•	•	
Muting T / L / X	• / • / •	• / • / •	• / • / •	• / • / •	• / • / •	• / • / •	• / • / •	• / • / •	• / • / •	• / • / •	• / • / •	
Blanking 3 types	• / • / •	• / • / •	- / - / -	- / - / -	- / - / -	- / - / -	- / - / -	- / - / -	- / - / -	- / - / -	- / - / -	
Single / Double break	• / •	• / •	•	•	•	•	•	•	•	•	•	
EDM	•	•	•	•	•	•	•	•	•	•	•	
Dyn. Adaption to Vital / Pulto	☒	☒	☒	☒	☒	☒	☒	☒	☒	☒	☒	

- Standard
  - ☒ With Tina 10A / 10B / 10C or FMC-Tina
- NBI**
- For ordering data and article number see 5.7.  
For more information see our home page.

## 1.1 General Data

Focus II light grids and curtains are active optoelectronic protective devices, AOPD, of type 4 by EN 61496-1 and IEC 61496-2. They are intended to be used where it is essential to safeguard operators of hazardous machinery, robots, or other automated systems where access to hazardous parts may be gained.

Before using the Focus II units, all personnel responsible for installation and maintenance of this equipment must ensure that they have read and understood the information contained in this manual. It is essential that units are installed and used according to the instructions in this manual. All relevant standards and regulations regarding the use of this type of equipment must also be strictly adhered to.

## 1.2 Maintenance

With the exception of checking alignment and cleaning the polycarbonate front covers that protects the optics, no part of the safety barrier needs to be maintained or can be repaired by the user. The installation, however, should regularly be checked and the results recorded. Should there be any errors, the barriers must be sent to our service location together with an error description as well as estimated operating time.

**NB!** Damage or dirt on the cover does not compromise the safety level of the barriers but may cause operational disturbance. Do not use woollen cloth, solvent or any other material when cleaning, which may scratch or in some way damage the surface of the cover. Operational conditions decide how often the cover needs to be cleaned.

ABB AB JOKAB SAFETY does not accept any liability for damage or injury due to incorrect use of the protection barriers or associated components.

## 1.3 Important information

The Focus II system must be installed, configured, and incorporated into a machine control system by a sufficiently trained and qualified person. An unqualified person may not be able to perform these operations properly, which may cause a person to go undetected in to the hazardous area, resulting in serious injury.

When changes are made to each function using the selector switches, the administrator must manage the detail of the changes and perform the changes. Accidental functional setting change may cause failure of human body detection, resulting in a serious injury.

Do not drop the products. Dropping the products may lead to internal or external damage. Please return a Focus II system that was dropped on the floor to your ABB AB JOKAB SAFETY service for inspection or repair. Failure to do so may result in serious injury.

Make sure to test the operation of the Focus II system after installation to verify that the Focus II system operates as intended. Make sure to stop the machine until the test is complete. Unintended function settings may cause a person to go undetected, resulting in serious injury.

---

Install the reset button in a location that provides a clear view of the entire hazardous area and where it cannot be activated from within the hazardous area.

The Focus II system cannot protect a person from a projectile exiting the hazardous area. Install protective cover(s) or fence(s).

A sufficiently trained and qualified person must properly configure muting related timings for its specific application, and that person must have responsibility for settings, especially when the muting time limit is infinite.

Install the switch that activates the override in a location that provides a clear view of the entire hazardous area and where it cannot be activated from within the hazardous area. Make sure that nobody is in the hazardous area before activating the override function.

Do not place fluorescent and/or incandescent lights within the effective aperture angle of the receiver, as it may influence the Focus II system under certain circumstances. Install the sensor system so that it is not affected by any reflective surfaces. Failure to do so may hinder detection, resulting in serious injury.

When using more than 1 set of Focus II system, install them so that mutual interference does not occur, such as by configuring series connections or using physical barriers between adjacent sets.

## 2 Function and Possibilities (Short Description)

A beam of infra-red light is generated and sent from transmitter to receiver. If anyone should interrupt this beam, the OSSD outputs of the safety barriers (see 5.1) are opened, and brings hazardous functions in machinery to a safe state.

Safety barriers come in heights between 150 mm and 2400 mm and the reaction time is between 13 ms and 103 ms, depending on the model.

Electric connection is made via an M12 connector. Steering and control of beams that are transmitted and received is made by two microprocessors, which also transmit all information on status and alignment of the barrier via four LEDs in the transmitter and five in the receiver (see 14, 15).

Focus II contains many good and user-friendly functions. Below is a summary with references to the respective chapters that contain more information.

**Muting** (see 6) means that one or more segments, or the whole barrier, may be bypassed when material is passed through it. If a light grid is used, one or more beams, or the whole grid, may be bypassed.

**Override** (see 7) is a function which makes it possible to bypass the light barrier and activate the OSSD outputs if machine start is necessary, when one or more beams are interrupted.

**NB!** Muting and override demands a connected muting indicator (LMS) (or resistor 220  $\Omega$ , 3 W) before power is switched on.

**Floating blanking** (see 9) makes it possible for a number of beams to be constantly interrupted in the protection area. With floating blanking, the object can move in the protection area without triggering the safety function. Other beams are active with normal safety function but with reduced resolution.

**Test/reset** ① (see 5): This pushbutton is connected to +24 VDC during normal operation. It has several functions:

- A Test:** A physical interruption of the protection area can be simulated by keeping the button pressed down for at least 2.5 s.
- B Reset:** (see 4.6) If a connected button is pressed and released (manual reset) when the protection area is clear again after having been disturbed, the light curtain is reset.
- C Alignment:** (see 3.2) If the button is pressed when voltage is connected, the barrier enters alignment mode, i.e., when the alignment of the upper and lower beam is correct, LED 1, 2, 3 and 5 are lit to indicate this.
- D Override:** (see 7) (Only and always possible when a muting indicator (LMS) is connected.) If the button is pressed after 2 s but within 5 s after voltage has been switched on, and is then pressed for at least 5 s, the OSSD outputs of the light curtain will be activated only if any beam is interrupted. If the entire protective field is free for more than 2 s this function is stopped.

**Reset** of Focus II light barrier can be reached in three different ways:

- A Automatic reset:** (see 4.6) The light curtain is reset immediately when the protection area is clear (= not interrupted). Default setting by delivery.
- B Manual reset:** (see 4.6) The light curtain is reset immediately after the protection area is clear and the reset button is pressed and released.
- C Pre-reset:** (see 8) The light curtain is reset when, first, the pre-reset button within hazardous area is pressed, and thereafter, if the protection area is clear, when within 8 s the reset button outside the protection area is pressed.

**Safety outputs** (see 5.2) OSSD 1 and 2 are opened when the protection area is interrupted.

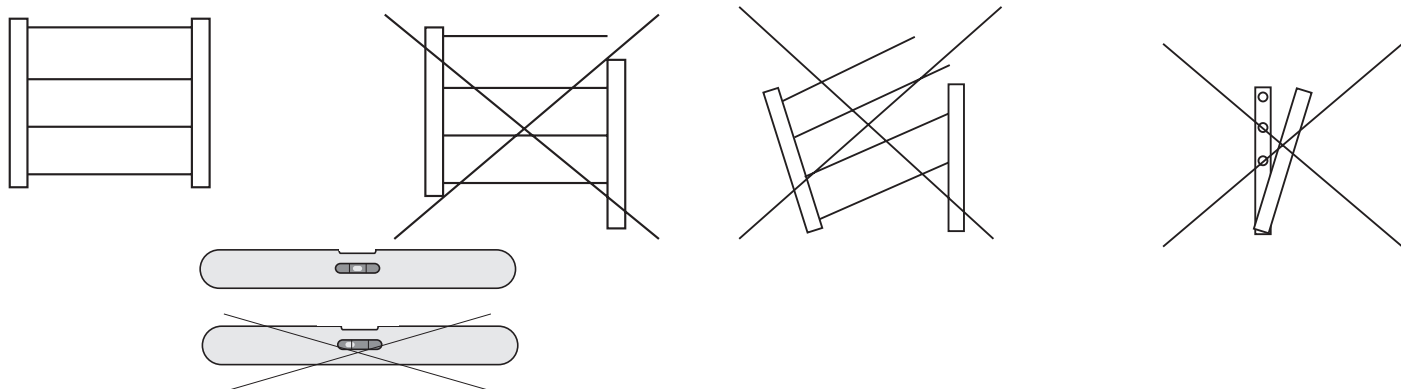


### 3 Mechanical Installation

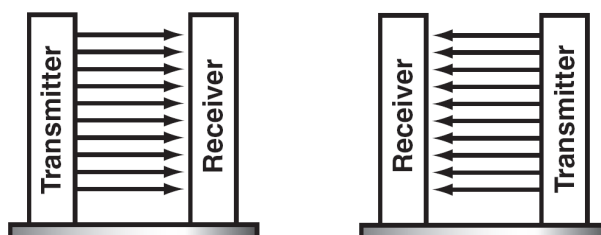
The location where the safety barrier is to be installed must fulfil the technical requirements. Prior to installation, the ambient temperature, electromagnetic and/or optical interference, among other things, should be taken into consideration.

#### 3.1 Mechanical Assembly

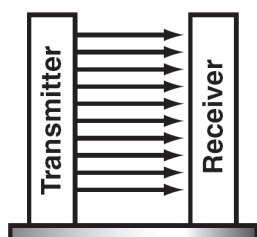
The profile of the light curtain is assembled with the accompanying brackets, and mounting screws that slide in the profile slots (see 17-19, 22). These make it easier to adjust the transmitter and receiver in level with each other.



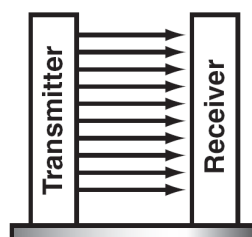
**NB!** If several barriers are used, they must be mounted so that each transmitter does not interfere with the receiver of a nearby barrier. Multiple barriers should be installed as below or could be used with coding, see 4.5 and 5.6.



Code not necessary



Code A



Code B

The scan code feature of the Focus II system allows for placement of systems in close proximity and in line with each other. The distinctive coding of the beams provide for unique operation of a system while in view of another system with a different scan code. Two unique codes are available on the Focus II, see section 4.3 on how to set the codes.

## 3.2 Alignment Procedure

When the safety barrier has been mounted, optical alignment of transmitter and receiver is made as follows:

- Disconnect the barrier's power supply. Open the test/reset ① (see 5.1).
- Restore the barrier's power supply. The test/reset ① can then be closed again.
- Make sure that both units are in level, vertical and directed towards each other. Adjust by turning the transmitter, left and right, until LED 2 and 5 of the receiver are lit. Turn the transmitter both ways to find the outermost positions, return the transmitter to the midpoint. The barrier is correctly aligned when the LED 3 is constantly lit even if one of the profiles is somewhat turned.
- After aligning the barrier, secure the screws firmly.
- Disconnect the power supply.
- Restore the barrier's power supply (with the test/reset ① contact closed). If the safety area is clear and automatic reset is chosen, the barrier will immediately enter operating mode, i.e. the OSSD outputs are activated and the LED 1 and 3 are lit. If manual reset is chosen, test/reset ① must be pressed and released before the OSSD outputs are activated.
- Complete the checks described in section 13 "Final Checks" and 16 "Routine Checks and Maintenance".

### 3.3 Calculation of Minimum Distance for Installation

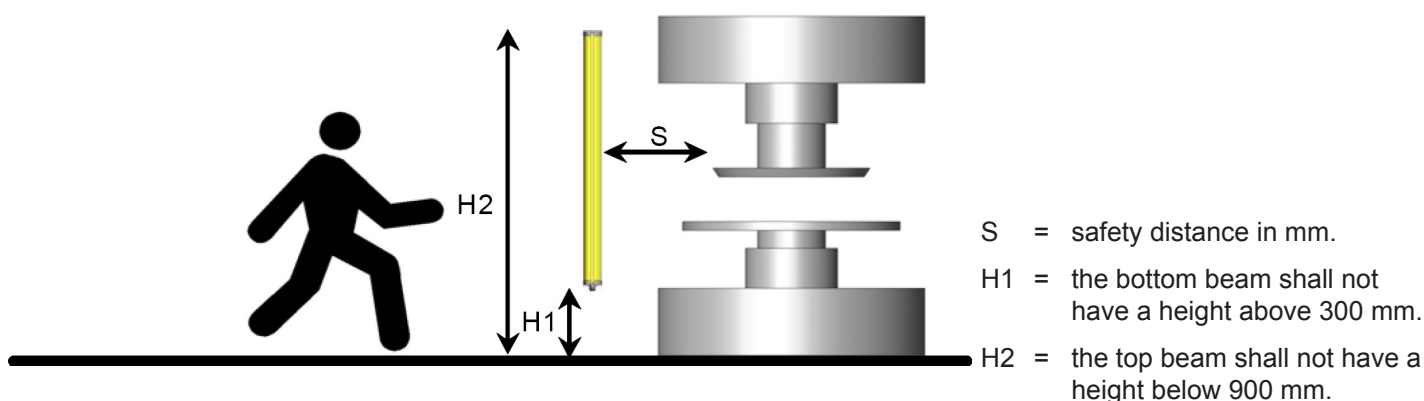
The distance S is the minimum distance between light curtain/grid and hazardous area which prevents that anyone comes in contact with hazardous machinery in operation before it stops. For calculation of S for a curtain with multiple beams, the following is valid according to EN ISO 13855:2010:

#### Vertically assembled light curtain/grid

The minimum distance S for a vertically assembled light curtain/grid is determined in three steps:

- Calculate minimum distance for reaching through the detection zone,  $S_{RT}$ .
- Calculate minimum distance for reaching over the detection zone,  $S_{RO}$ .
- Compare  $S_{RT}$  and  $S_{RO}$ . The minimum distance S is the greater of the two.

**NB!** If access to the hazardous area by reaching over the light curtain/grid can be excluded, e.g. by the provision of guards or other protective measures, step b) and c) are not necessary.



a)  $S_{RT} = (K \times T) + C_{RT}$

- $K$  = approach speed of body parts towards hazardous area:  
 = 2000 mm/s shall be used if S is equal to or less than 500 mm. Min. value of S = 100 mm.  
**NB!** If FII-4-30 is used in single/double break mode min. value of S > 150 mm.  
 = 1600 mm/s can be used if S is greater than 500 mm. Min. value of S = 500 mm.

- $T$  = Overall system stopping performance<sup>1</sup> =  $T1 + T2$ , where:  
 $T1$  = reaction time of light curtain/grid (s)  
 $T2$  = stopping time of machine, including reaction time of control system (s)

- $C_{RT}$  =  $8 \times (d-14)$  mm for FII-4-14 and FII-4-30 (light curtains)  
**NB!** If floating blanking is used and resolution  $\geq 40$  mm then  $C_{RT} = 850$  mm.  
 = 850 mm for FII-4-K versions (light grids)

- $d$  = resolution (mm) = 14 mm for FII-4-14 and 30 mm for FII-4-30.  
**NB!** If floating blanking is used, see resolution table in chapter 9.

<sup>1</sup>) The maximum time required from actuation of the AOPD until the hazardous machine function is terminated.

b)  $S_{RO} = (K \times T) + C_{RO}$

(K and T according to a).

$C_{RO}$  = Intrusion distance to the hazard zone when reaching over prior to the actuation of the light curtain/grid. Values are given in the table below.

**NB!** Values shall not be interpolated. Use nearest safer value.

## Reaching over the vertical detection zone of electro-sensitive protective equipment

(Dimensions in mm)

Height of hazard zone	Height of upper edge of the detection zone of the electro-sensitive protective equipment <sup>1</sup>											
	900	1000	1100	1200	1300	1400	1600	1800	2000	2200	2400	2600
Additional distance to hazard zone $C_{RO}$												
2600 <sup>a</sup>	0	0	0	0	0	0	0	0	0	0	0	0
2500	400	400	350	300	300	300	300	300	250	150	100	0
2400	550	550	550	500	450	450	400	400	300	250	100	0
2200	800	750	750	700	650	650	600	550	400	250	0	0
2000	950	950	850	850	800	750	700	550	400	0	0	0
1800	1100	1100	950	950	850	800	750	550	0	0	0	0
1600	1150	1150	1100	1000	900	850	750	450	0	0	0	0
1400	1200	1200	1100	1000	900	850	650	0	0	0	0	0
1200	1200	1200	1100	1000	850	800	0	0	0	0	0	0
1000	1200	1150	1050	950	750	700	0	0	0	0	0	0
800	1150	1050	950	800	500	450	0	0	0	0	0	0
600	1050	950	750	550	0	0	0	0	0	0	0	0
400	900	700	0	0	0	0	0	0	0	0	0	0
200	600	0	0	0	0	0	0	0	0	0	0	0
0	0	0	0	0	0	0	0	0	0	0	0	0

When a value of zero is given, the calculation of the minimum distance, S, should be made in accordance with chapter 3.3 Calculation of Minimum Distance for Installation, calculation point a).

**NB!** Electrosensitive protective equipment with a height of the:

- upper edge of the detection zone below 900 mm is not included since they do not offer sufficient protection against circumventing or stepping over
- lower edge of the detection zone above 300 mm in relation to the reference plane does not offer sufficient protection against crawling below.

<sup>a</sup>Approach to the hazard zone by reaching over is impossible

<sup>1</sup>)The text is reproduced from ISO 13855:2010 with permission from SIS Förlag AB, www.sis.se where also the complete standard is available for purchase.

c) Compare  $S_{RT}$  and  $S_{RO}$ . The minimum distance  $S$  is the greater of the two.

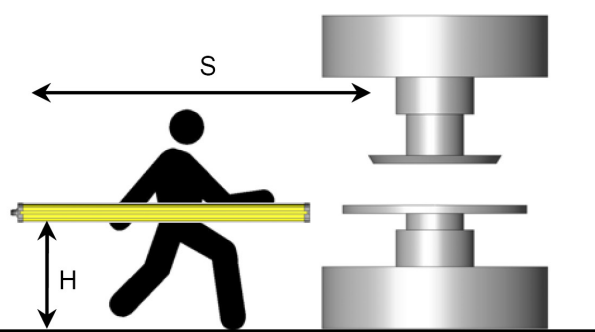
The following table is valid only for vertically assembled light grid with 2, 3, or 4 beams (shall never be assembled horizontally):

BEAM HEIGHT ABOVE FLOOR	4 beams (900 unit)	4 beams (1200 unit)	3 beams	2 beams
1st beam	300 mm	300 mm	300 mm	400 <sup>a</sup> mm
2nd beam	600 mm	700 mm	700 mm	900 mm
3rd beam	900 mm	1100 mm	1100 mm	
4th beam	1200 mm	1500 mm		

<sup>a</sup> For the lowest beam 400 mm can only be used when the risk assessment allows it.

### Horizontally assembled light curtain

The minimum distance  $S$  from hazardous machinery to the farthest beam is calculated using the same formula as above but with different parameters, as follows:



$S$  = minimum distance in mm.

$H$  = the optical field shall not be higher than 1000 mm.

$$S = (K \times T) + C$$

$K$  = 1600 mm/s. Approach speed of body parts towards hazardous area.

$T$  = Overall system stopping performance =  $T1 + T2$ , where:  
 $T1$  = reaction time of light curtain (s)  
 $T2$  = stopping time of machine, including reaction time of control system (s)

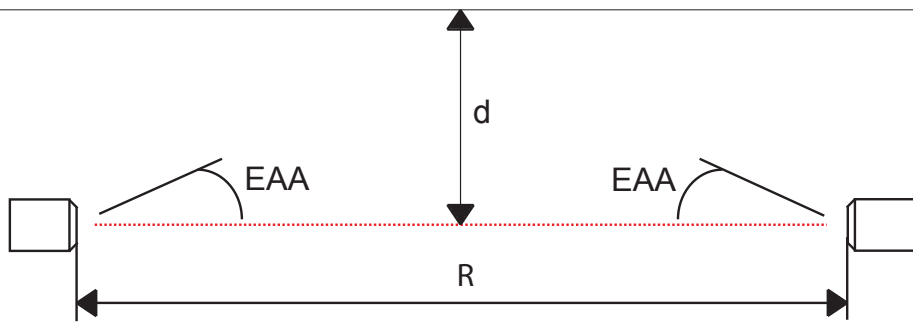
$C$  =  $1200 - 0.4 \times H$ . Shall not be less than 850 (mm)

$H$  =  $15 \times (d-50)$ . Minimum allowed height of detection zone above reference plane (mm)  
**NB!** Shall not be less than 0 or greater than 1000.

$d$  = resolution (mm) = 14 mm for FII-4-14 and 30 mm for FII-4-30.

### 3.4 Distance to Reflecting Surfaces

The barrier should be mounted so that the risk of reflection from reflecting surfaces is minimized. The minimum distance to a reflecting surface is shown below.

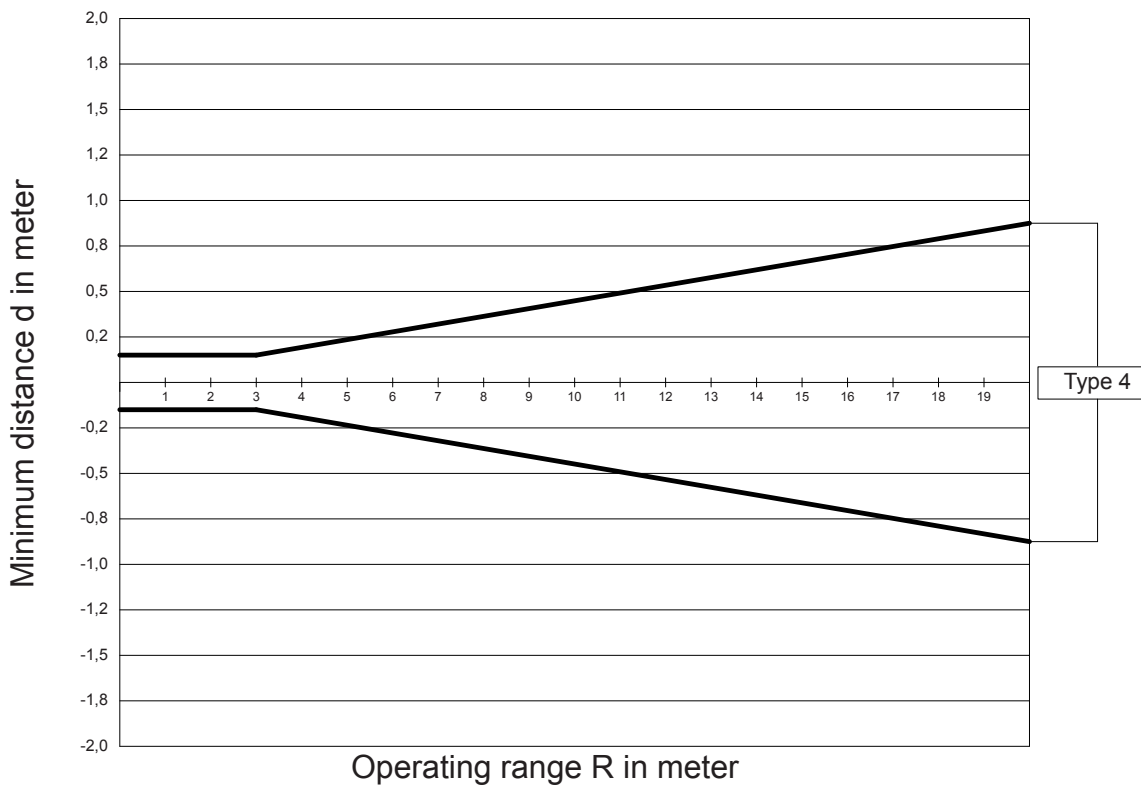


Operating range R: is the effective working range of the Focus II system, from the transmitter to the receiver.

EAA: is the effective aperture angle of the Safety Sensor. It is  $\pm 2.5^\circ$  for FII-4....

distance d: is the minimum distance to a reflective surface. This distance must be greater than:  
 $d_{\min} \text{ FII-4} = \tan(2.5^\circ) \times R$

Be aware that surface interference may also appear above and below the sensing field.



---

## 4 Electrical Installation

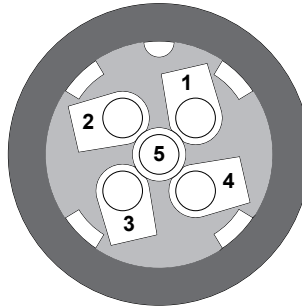
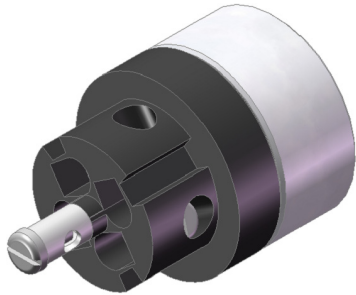
### 4.1 Important Notes on Installation

**NB!** The two OSSD outputs shall be connected to the stop function of the machine, so that they each stop the hazardous moving parts. The Focus II system is by default in auto reset mode.

- Power to the system shall be by a 24 VDC±20%, supply which complies with standard EN 60742 (dual isolation), or with equivalent isolation by VDE 0551. We strongly recommend a stabilized power supply.
- Voltage shall be disconnected when changing the installation.
- The screen of the cabling to the barrier shall be connected to ground circuit.
- The barrier should be protected by a fuse with the value 1 A normal in the feeding voltage.
- The external muting indicator (LMS) signalling that the muting function is active, shall be connected and work for the muting function to work. The indicator should be placed so that it is visible from all sides with access to the hazardous area of the machine. See connection example in 5 and text in 6.
- The OSSD outputs of the barrier are PNP outputs which are each current limited to 500 mA. If the current will exceed 500 mA or if alternating current is to be connected, the system may benefit from being connected to a safety relay, see 5.
- Do not install the Focus II system in the following types of environments:  
Areas
  - exposed to intense interference light, such as direct sunlight
  - near the frequency controlled motors or wires to them
  - near magnetic valves with coils without suppressors
  - with high humidity where condensation is likely to occur
  - where corrosive gases are present
  - exposed to vibration or shock levels higher than in the specification
  - where the product may come into contact with water
  - where the product may come into contact with oil that is an adhesive solvent
- Do not use radio equipment such as cellular phones, walkie-talkies, or transceivers near the Focus II system.

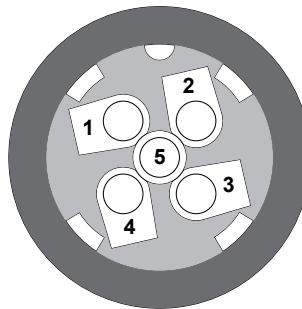
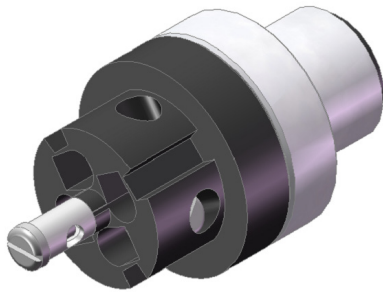
## 4.2 Connection of Cable C5, C8 in M12 C01-C04 Connectors

Female 5-pin connector (M12 C01) for connection to transmitter:

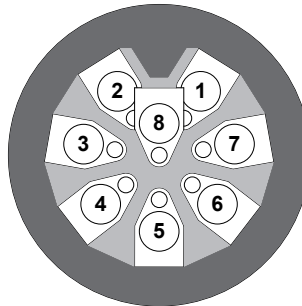
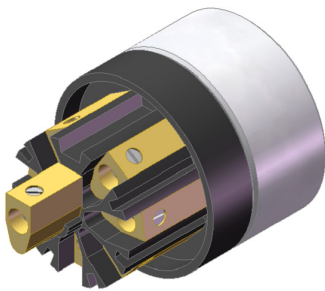


- 1. Brown
- 2. White
- 3. Blue
- 4. Black
- 5. Grey

Male 5-pin connector (M12 C02):

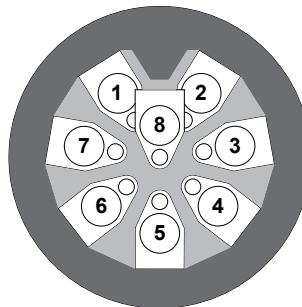
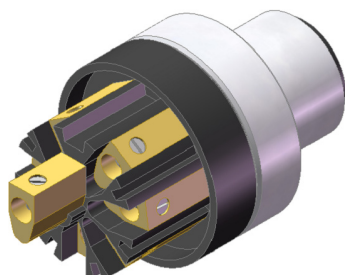


Female 8-pin connector (M12 C03) for connection to receiver:



- 1. White
- 2. Brown
- 3. Green
- 4. Yellow
- 5. Grey
- 6. Pink
- 7. Blue
- 8. Red

Male 8-pin connector (M12 C04):



Seen from the cable connection side:

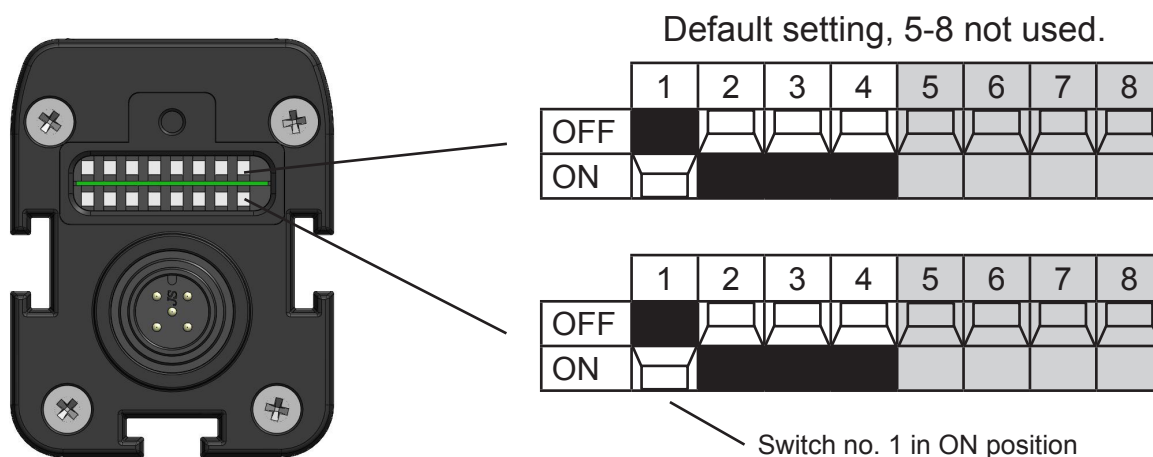
**NB!** It is recommended to use ABB AB JOKAB SAFETY standard M12 cables whenever possible. See 18 for a list of cables and accessories.



### 4.3 Setting up of Internal Change-Over Switches Transmitter

- Disconnect the power supply to the unit and open the small lid in the bottom cap (with the M12 connector) so that the two change-over switches become visible.
- The change-over switches may be adjusted to the desirable position with a small, suitable screwdriver.

**NB!** Make sure to always set switches in both banks to the same position.



Selector switches 5 - 8 are not used in the transmitter.

Switch position	Setting	Function	
1	OFF	Range setting	X
	ON		Short range
2	OFF	Range setting	X
	ON		Long range
3	OFF	Code setting	No coding
	ON		Coding
4	OFF	Code setting	Code A
	ON		Code B

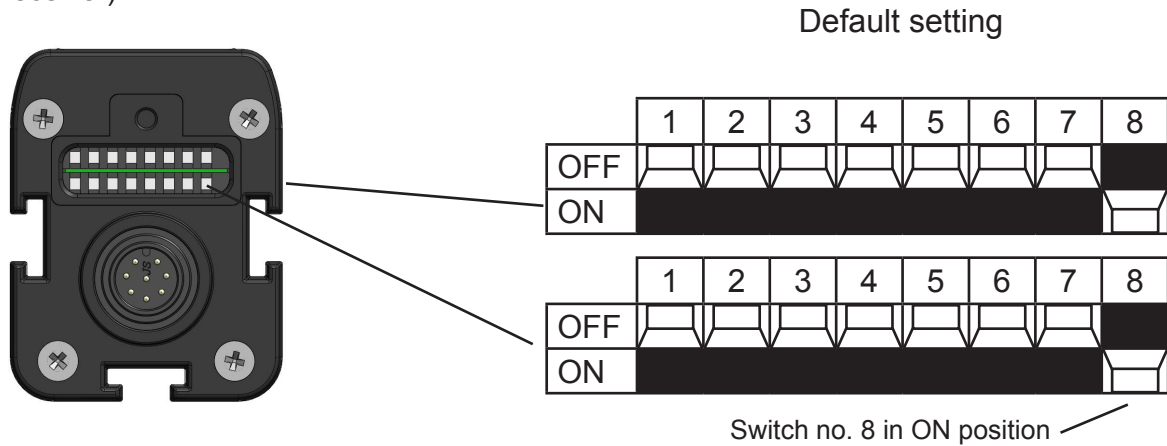
Please refer to the table below for the range setting:

Switch 1	Switch 2	Range selected
OFF	OFF	Not allowed
OFF	ON	Long range
ON	OFF	Short range
ON	ON	Not allowed

## 4.4 Setting up of Internal Change-Over Switches Receiver

- Disconnect the power supply to the unit and open the small lid in the bottom cap (with the M12 connector) so that the two change-over switches become visible.
- The change-over switches may be adjusted to the desirable position with a small, suitable screwdriver.

**NB!** Make sure to always set switches in both banks to the same position (except switch 7 on the receiver).



Switch	Status	Function		
8	OFF	Manual reset	Single break if SB/DB selected	
	ON	Automatic reset	Double break if SB/DB selected	
7	OFF	Refer to Coding section for further information		
	ON			
6	OFF	EDM function disabled		
	ON	EDM function enabled		
5 + 4 <sup>1</sup>	4	5	<b>Muting and special functions</b>	
	OFF	OFF	Muting T with time limit, 0.2 s allowed drop <sup>2</sup>	
	OFF	ON	Muting L with time limit, 0.2 s allowed drop <sup>2</sup>	
	ON	OFF	Muting X without time limit <sup>6</sup> , 0.2 s allowed drop <sup>2</sup>	
	ON	ON	Special function with switches 1, 2 and 3	

### Light curtain specific settings:

				Muting maps when muting T, L or X are selected on switches 4 and 5 <sup>3</sup>	Special functions selection when switches 4 and 5 are both ON <sup>4</sup>
3+2+1	1	2	3		
	OFF	OFF	OFF	Muting all beams	Blanking ± 1 beam with T muting
	OFF	OFF	ON	Muting on module 1, 2, 3 and 4	Blanking +1/-0 beam with T muting
	OFF	ON	OFF	Muting on module 1, 2 and 3	Blanking ± 0 beam with T muting
	OFF	ON	ON	Muting on module 1 and 2	Blanking ± 1 beam with L muting
	ON	OFF	OFF	Muting on module 1	Blanking +1/-0 beam with L muting
	ON	OFF	ON	Muting on module 2	Blanking ± 0 beam with L muting
	ON	ON	OFF	Muting on module 3	Pre-Reset mode
ON	ON	ON	Muting on module 4	Single break/double break, Switch 8	

### Light grid specific settings:

				Muting maps when muting T, L or X are selected on switches 4 and 5 <sup>3</sup>	Special functions selection when switches 4 and 5 are both ON <sup>4</sup>
3+2+1	1	2	3		
	OFF	OFF	OFF	Muting all beams	Muting T, with time limit, 1 s allowed drop <sup>2</sup>
	OFF	OFF	ON	Muting on module 1, 2, 3 and 4	Muting L, with time limit, 1 s allowed drop <sup>2</sup>
	OFF	ON	OFF	Muting on module 1, 2 and 3	-
	OFF	ON	ON	Muting on module 1 and 2	Muting T, without time limit <sup>6</sup> , 1 s allowed drop <sup>2</sup>
	ON	OFF	OFF	Muting on module 1	Muting L, without time limit <sup>6</sup> , 1 s allowed drop <sup>2</sup>
	ON	OFF	ON	Muting on module 2	Muting X, without time limit <sup>6</sup> , 1 s allowed drop <sup>2</sup>
	ON	ON	OFF	Muting on module 3	Pre-Reset mode
	ON	ON	ON	Muting on module 4	Alternative X-muting setting <sup>5</sup>

1. Selector switches 4 and 5 are operational if a muting indicator is connected or both are set to the ON position.
2. The maximum time that Focus II will allow muting A or muting B to drop without detecting a muting stop. See 6.5.
3. Selector switches 1, 2 and 3 are operational if a muting function is set and a muting indicator is connected.
4. Selector switches 1, 2 and 3 are operational if selector switches 4 and 5 are in ON position.
5. Use this function if two NO muting sensors are used for X-muting (instead of one NO and one NC). Note that a new timing requirement is introduced; muting A and muting B cannot be activated at the same time. A time difference of approx. 30 ms is mandatory.
6. Refers to max muting time (600 s) but not to the time between A and B (120 s).

**NB!** For further information about T-, L- and X-muting, see 6.1-6.5.

## 4.5 Setting up Scan Codes

The Focus II transmitter and receiver has the possibility of coding selection, to minimize interference when two transmitters can reach one receiver.

**NB!** Both transmitter and receiver shall be set to the same code. All LEDs on transmitter / receiver flash twice when code B is set correct, when powering up. Code A will flash once. Please make sure that the total length of the cable between the transmitter and receiver (required when coding is used, see 5.6) does not exceed 100 m.

### Transmitter



Switch 3	
OFF	No code (exclusion of dip 4)
ON	Code on

Switch 4	
OFF	Code A
ON	Code B

### Receiver



Switch 7 Upper bank	
OFF	Code A
ON	Code B

Switch 7 Lower bank	
OFF	No code (exclusion of dip 7 upper bank)
ON	Code on

## 4.6 Choice of Reset Procedure

**Reset** of Focus II barrier may be reached in three different ways:

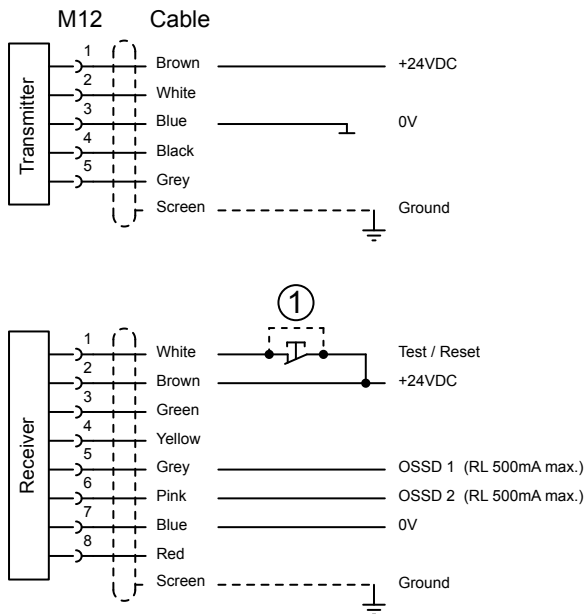
- A Automatic reset:** The barrier is reset directly after the protection area has become clear. Change-over switch No. 8 is set in position "On" (see 4.4).
- B Manual reset:** The barrier is reset when the protection area is clear and the reset button has been pressed and released. Change-over switch No. 8 is set in position "Off" (see 4.4).
- C Pre-reset:** The barrier is reset when, first, the pre-reset button, which is normally placed inside hazardous area, has been pressed (the yellow LED 5 in receiver is blinking) and, thereafter, if the protection area is clear, within 8 seconds the reset button outside the area has been pressed and released. (See 4.4 and 8)

## 5 Connection Examples

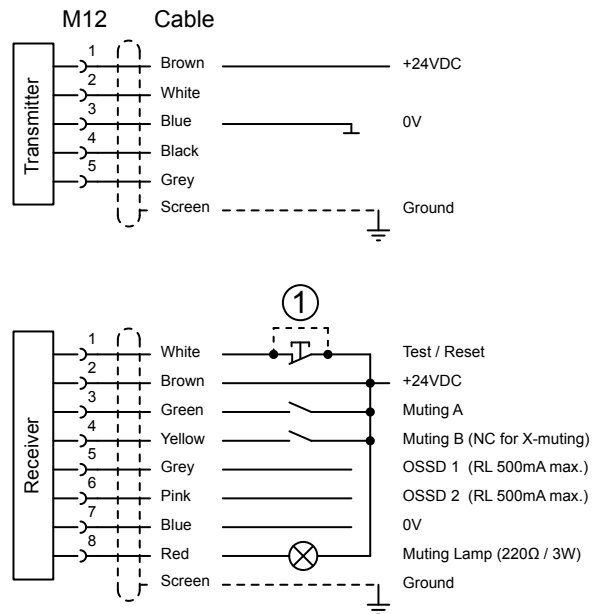
**NB!** Mirror units like FII-4-K1C 500 with transmitter/receiver in one unit and a mirror unit is connected electrically like the receiver below.

### 5.1 Connection Example, Basic with and without muting

#### Without muting



#### With muting



Focus II barrier is reset manually with the test/reset button ① or, as by delivery, automatically, when switch 8 in the receiver is in the position "On" (see 4.4). Test/reset ① is also used during normal operation when testing, aligning, and overriding, with the muting function used (see 2).

**NB!** If test/reset button ① is not used, the white conductor must be connected to 24VDC.

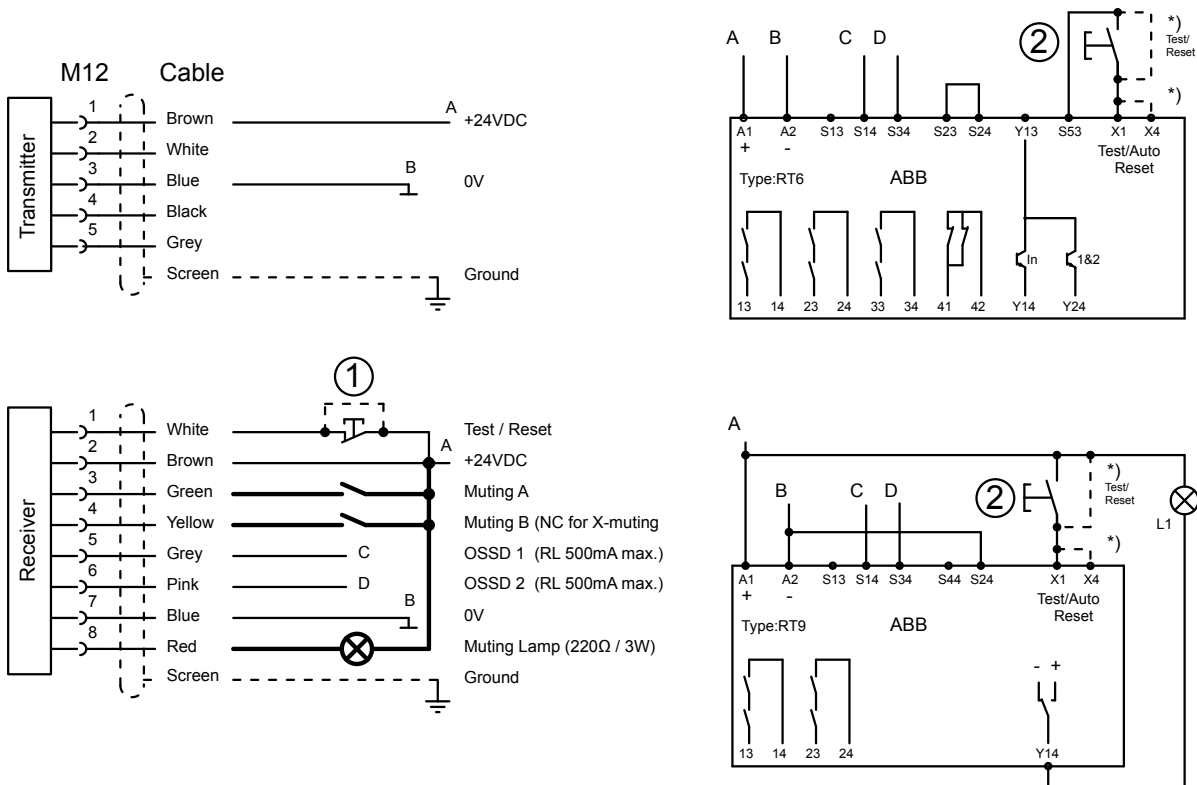
## 5.2 Connection Example, for connection to safety relay

There are alternative possibilities for reset (see the following examples):

- A Automatic reset:** The safety relay is connected for automatic reset and terminal 1 (white cable) on the receiver is connected to 24VDC.
- B Manual Reset from relay:** The safety relay is connected for Manual reset and terminal 1 on the receiver (white cable) is connected to 24VDC
- C Manual Reset from Light Barrier:** The safety relay is connected for automatic reset and terminal 1 (white cable) on the receiver is connected to one side of a push button (NC) and the other side is connected to 24VDC.

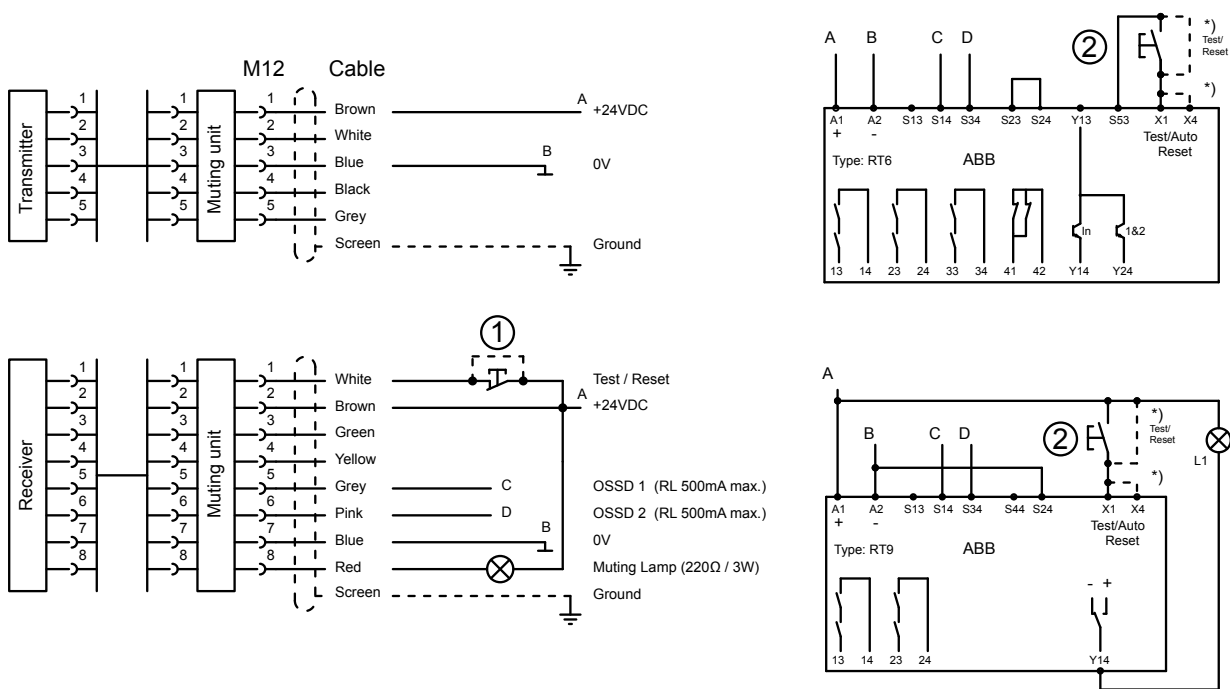
Switches 8 is set in "ON" position as default from factory connection examples (see 4.4). If example c is required then Switch 8 must be set to "OFF". If test/reset ① is also connected it may be used for other functions (see 2). The LMS indicator L1 signals opened barrier or safety relay.

**NB!** If test/reset ① is not connected, the white wire must be connected to 24VDC. If test/reset ① and ② are pressed and are released at the same time, no reset occurs.

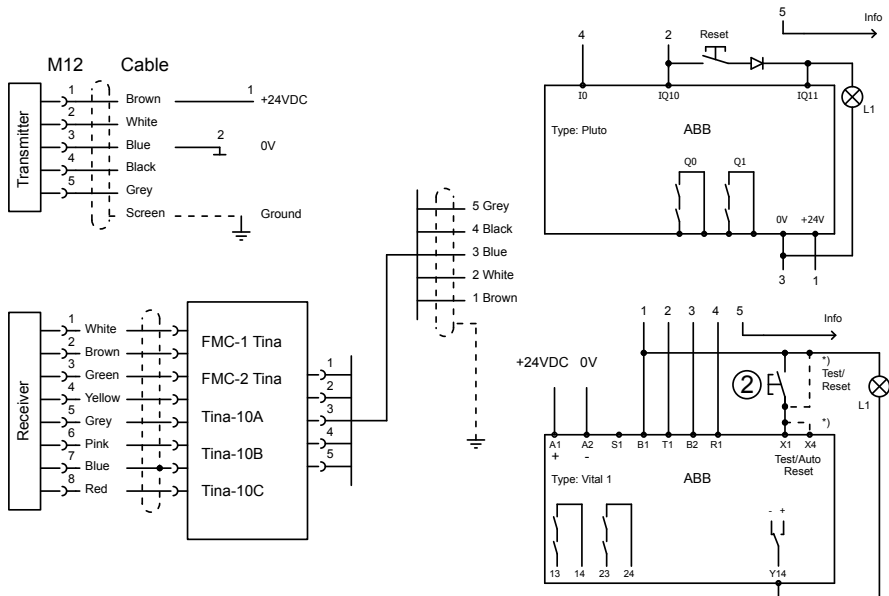


**NB!** The connections in the drawing above which are marked with bold lines should only be made if the muting function is to be used.

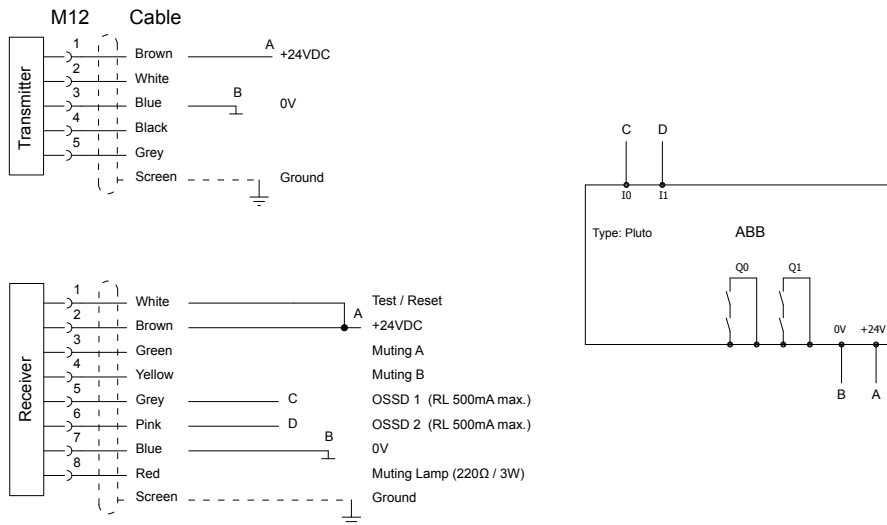
### 5.3 Connection Example, muting unit to safety relay



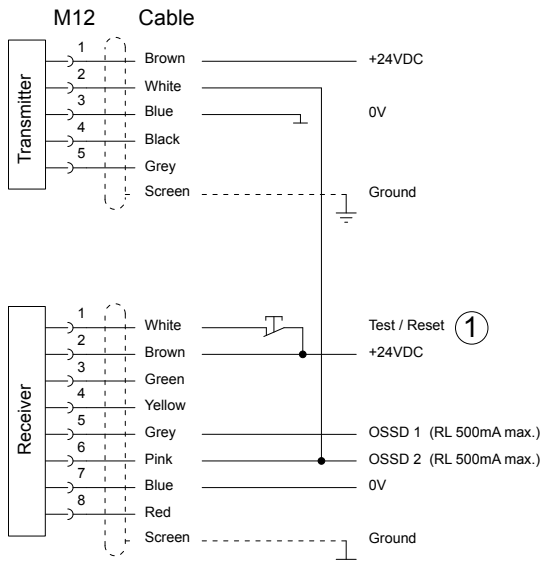
### 5.4 Connection Example, Vital / Pluto with Tina units



## 5.5 Connection Example, Pluto



## 5.6 Connection Example, connection required to enable coding



For further information see 3.1, 4.5



## 5.7 Specifications for Available Variants

### Light curtain/barrier variants: (see 1)

The following tables show protection height, length, and reaction time for light curtain Focus FII-4-14 with 14 mm resolution and Focus FII-4-30 with 30 mm. The columns Number of modules and Number of beams per module refer to the muting function (see chapter 6.6 and table in chapter 4.4).

Type No.	Article No.	Measures (mm), see 5.8				Reaction time (ms)			No. of Beams		
		L	F	E	A	-OFF W	-OFF N	-ON	Total	No. of modules	Per module
FII-4-14-150	2TLA022200R0000	232	161	147	65	18	12	138	21	7	3
FII-4-14-300	2TLA022200R1000	380	308	294	65	23	15	135	42	7	6
FII-4-14-450	2TLA022200R2000	527	455	441	65	29	19	131	63	7	9
FII-4-14-600	2TLA022200R3000	674	602	588	65	35	23	127	84	7	12
FII-4-14-750	2TLA022200R4000	821	749	735	65	40	26	123	105	7	15
FII-4-14-900	2TLA022200R5000	968	896	882	65	46	30	119	126	7	18
FII-4-14-1050	2TLA022200R6000	1115	1043	1029	65	52	34	116	147	7	21
FII-4-14-1200	2TLA022200R7000	1262	1190	1176	65	58	38	112	168	7	24
FII-4-14-1350	2TLA022200R8000	1409	1337	1323	65	63	42	108	189	7	27
FII-4-14-1500	2TLA022200R9000	1557	1484	1470	65	69	46	104	210	7	30
FII-4-14-1650	2TLA022201R0000	1703	1631	1617	65	75	50	100	231	7	33
FII-4-14-1800	2TLA022201R1000	1851	1778	1764	65	80	53	97	252	7	36
FII-4-14-1950	2TLA022201R2000	1998	1925	1911	65	86	57	93	273	7	39
FII-4-14-2100	2TLA022201R3000	2145	2072	2058	65	92	61	93	294	7	42
FII-4-14-2250	2TLA022201R4000	2292	2219	2205	65	97	64	98	315	7	45
FII-4-14-2400	2TLA022201R5000	2439	2366	2352	65	103	68	104	336	7	48
FII-4-30-150	2TLA022201R6000	232	177	147	65	14	9	141	8	4	2
FII-4-30-300	2TLA022201R7000	380	324	294	65	16	11	139	16	4	4
FII-4-30-450	2TLA022201R8000	527	471	441	65	19	13	138	24	4	6
FII-4-30-600	2TLA022201R9000	674	618	588	65	21	14	136	32	4	8
FII-4-30-750	2TLA022202R0000	821	765	735	65	23	15	135	40	4	10
FII-4-30-900	2TLA022202R1000	968	912	882	65	25	17	133	48	4	12
FII-4-30-1050	2TLA022202R2000	1115	1059	1029	65	27	18	132	56	4	14
FII-4-30-1200	2TLA022202R3000	1262	1206	1176	65	29	19	131	64	4	16
FII-4-30-1350	2TLA022202R4000	1409	1353	1323	65	32	21	129	72	8	9
FII-4-30-1500	2TLA022202R5000	1557	1500	1470	65	34	22	128	80	8	10
FII-4-30-1650	2TLA022202R6000	1703	1647	1617	65	36	24	126	88	8	11
FII-4-30-1800	2TLA022202R7000	1851	1794	1764	65	38	25	125	96	8	12
FII-4-30-1950	2TLA022202R8000	1998	1941	1911	65	40	26	123	104	8	13
FII-4-30-2100	2TLA022202R9000	2145	2088	2058	65	42	28	122	112	8	14
FII-4-30-2250	2TLA022203R0000	2292	2235	2205	65	45	30	120	120	8	15
FII-4-30-2400	2TLA022203R1000	2439	2382	2352	65	47	31	119	128	8	16

**NB!** Reaction time (see table above)

- OFF W: is when the synchronization beam is interrupted which is the beam furthest away from the information LEDs.

- OFF N: is when some or all except the synchronization beam is interrupted.

Type No.	Article No.	Measures (mm), see 5.8				Reaction time (ms)		No. of Beams		
		L	I	E	A	-OFF	-ON	Total	No. of modules	Per module
FII-4-K2-500	2TLA022204R0000	698	500	512	150	13	142	2	2	1
FII-4-K3-800	2TLA022204R1000	998	400	812	150	13	142	3	3	1
FII-4-K4-900	2TLA022204R2000	1098	300	912	150	13	142	4	4	1
FII-4-K4-1200	2TLA022204R3000	1398	400	1212	150	13	141	4	4	1
FII-4-K2-500 D	2TLA022204R4000	698	500	512	150	13	142	2 (4)	2	2
FII-4-K3-800 D	2TLA022204R5000	998	400	812	150	13	142	3 (6)	3	2
FII-4-K4-900 D	2TLA022204R6000	1098	300	912	150	13	142	4 (8)	4	2
FII-4-K4-1200 D	2TLA022204R7000	1398	400	1212	150	13	142	4 (8)	4	2
<b>Light grid with transmitter/receiver on one side and a passive mirror unit.</b>										
FII-4-K1C-500	2TLA022204R8000	698	500	512	150	12	142	1 (2)	1	1
FII-4-K2C-800	2TLA022204R9000	998	400	812	150	13	142	2 (4)	2	1
FII-4-K2C-900	2TLA022205R0000	1098	300	912	150	13	142	2 (4)	2	1
FII-4-K2C-1200	2TLA022205R1000	1398	400	1212	150	13	141	2 (4)	2	1

<b>Weight of Focus II Light curtains</b>																
FII-4-yy-	150	300	450	600	750	900	1050	1200	1350	1500	1650	1800	1950	2100	2250	2400
Kg	0.83	1.39	1.95	2.51	3.07	3.63	4.19	4.75	5.31	5.87	6.43	7.0	7.55	8.11	8.67	9.24

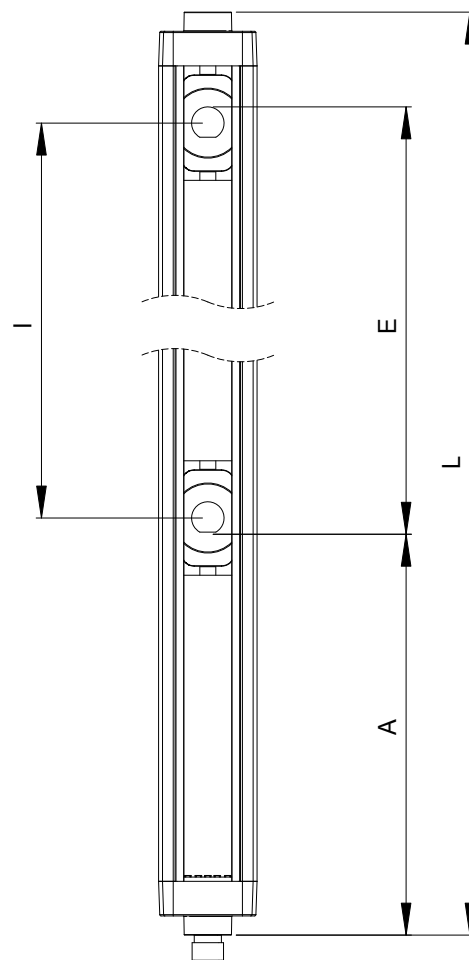
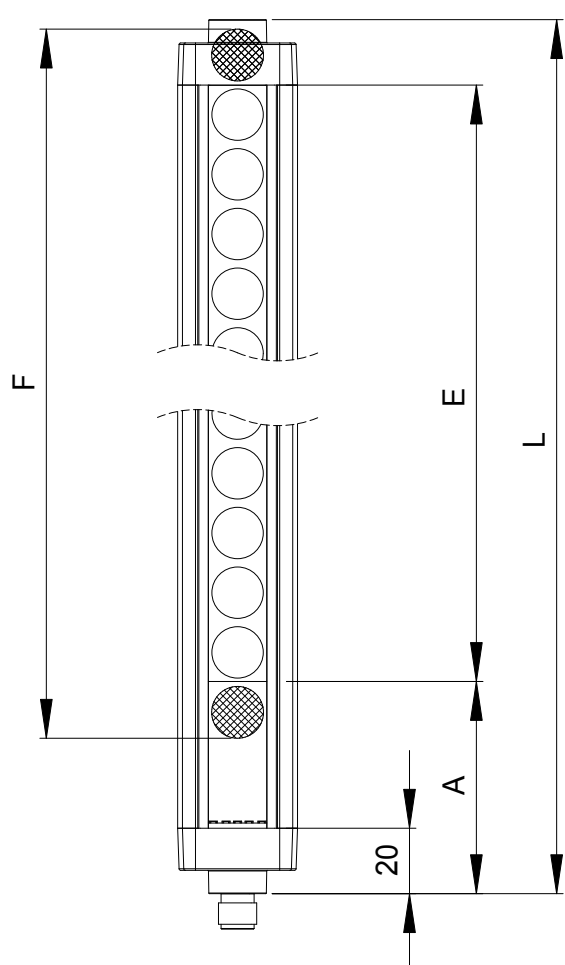
<b>Weight of Focus II Light grids</b>								
FII-4-Ky-	500	800	900	1200	500 D	800 D	900 D	1200 D
Kg	2.43	3.39	4.65	5.51	2.95	3.91	5.17	6.03

<b>Weight of Focus II Light grid with passive mirror units</b>					
FII-4-K1C-	500	FII-4-K2C-	800	900	1200
Kg	2.43	Kg	3.39	4.65	5.51

## Muting units

Type No.	Article No.	L (mm)	Number of beams	Range (m)	Weight (kg)
MF-T	2TLA022040R2000	856	4	0.2-10	3
MF-L	2TLA022040R3000	396	2	0.2-10	2
MF-T Reflex	2TLA022040R4000	664	4	0.2-6	3
MF-L Reflex	2TLA022040R5000	324	2	0.2-6	2

## 5.8 Dimensional Drawing



- L: Total length of the Focus II system
- F: Protective height where an object equal or greater to the resolution is detected.
- E: Detection zone
- A: Dead zone

- L: Total length of the Focus II system
- I: Beam distance
- E: Detection zone
- A: Dead zone

## 5.9 Label description

Model: <b>A</b>			Supply: <b>B</b>	Power consumption: <b>C</b>	Protection: <b>D</b>	SW release: <b>E</b>	 <b>ABB AB</b> <b>JOKAB SAFETY</b> Varlabergsvägen 11 434 39 Kungsbacka SWEDEN Jokab Safety
Type: <b>F</b>	Resolution: (mm) <b>G</b>	Prot. height: (mm) <b>H</b>	Response time: (See manual) <b>I</b>	Operating temp: <b>J</b>	Prod. date: <b>K</b>	 Certified by: TÜV CSA	
Range: <b>L</b>		<b>Bar code</b>					

- A Model type: e.g. FRII-4-14-600  
 FII = Focus II receiver + transmitter  
 FRII = Focus II receiver  
 FTII = Focus II transmitter
- B Power supply: 24 VDC
- C Power consumption: e.g. 5 W
- D Protection: IP65
- E Software release: e.g. 1.3.6

- F Type: 4
- G Resolution: e.g. 14 or 30 mm (21/28 or 45/60)
- H Protection height: e.g. 600 mm
- I Response time: e.g. 35 ms
- J Operating temperature: -10 / +55°C
- K Manufacturing date: e.g. 12021
- L Range: e.g. S 0.2-7m, L 7-14m
- M Serial number: e.g. 312010116

## 6 Muting

### General information about the three functions

The functions muting, override (see 7), and blanking (see 9) make it possible to bypass the barrier, or parts of it, when the operational mode allows this.

The barrier, by the demands in the given standard, is equipped with inputs that are necessary for these functions to be activated. It is important, however, to note that these functions bypass parts of the protective function, so it is essential that they are used only if the risk assessment shows that it is appropriate.

#### 6.1 Muting, Installation

The muting function is made possible in all Focus II barriers when a muting indicator (or 220  $\Omega$  / 3 W resistance) is connected and work at the moment when power is switched on.

T/L-muting: The muting function is activated if the OSSD outputs are active and the inputs A and B then are closed. Sensor A must be activated at least 30 ms ahead of B.

X-muting: The muting function is activated if the OSSD outputs are active and muting input A then is closed while muting input B is opened. Either sensor can be activated ahead of the other, or both at the same time.

The muting function remain as long as the terms are met (indicator working, A and B activated). See 5.

If the muting function is possible and something happens to the muting indicator (e.g. a lamp breakage), or it is removed without first disconnecting the power supply to the barrier, the LEDs of the barrier will indicate an error in the muting indicator, (see 15), and all muting attempts are ignored.

The muting function is easily disabled by disconnecting the muting indicator and then switching on the power supply.

**NB! A feature of the Focus II safety barrier** is that, depending on how the change-over switches (1-3) in the receiver are set (see 4.4), more or fewer beams of the protection area may be bypassed (muting) when it is intended for the material to pass. The rest of the area remains intact with normal protection and safety level.

**This is an important function which decreases the possibility for a person to “accompany” material passing the barrier.**

## 6.2 Muting, Modes

The Focus II system offers a set of three muting modes:

- T-muting activation (default) with time limit
- L-muting activation with time limit
- X-muting activation without time limit

**NB!** Additional settings are possible for light grids (FII-4-K...), see 4.4.

Muting type	Sensor type (A,B)	Timings		
		A-B time <sup>1</sup>	Max muting time <sup>2</sup>	Allowed drop <sup>2,3</sup>
T	NO, NO	0.03 s < t < 120 s	<600 s	<0.2 s
L	NO, NO	0.03 s < t < 120 s	<600 s	<0.2 s
X	NO, NC <sup>2</sup>	0 s < t < 4 s <sup>2</sup>	Infinite	<0.2 s

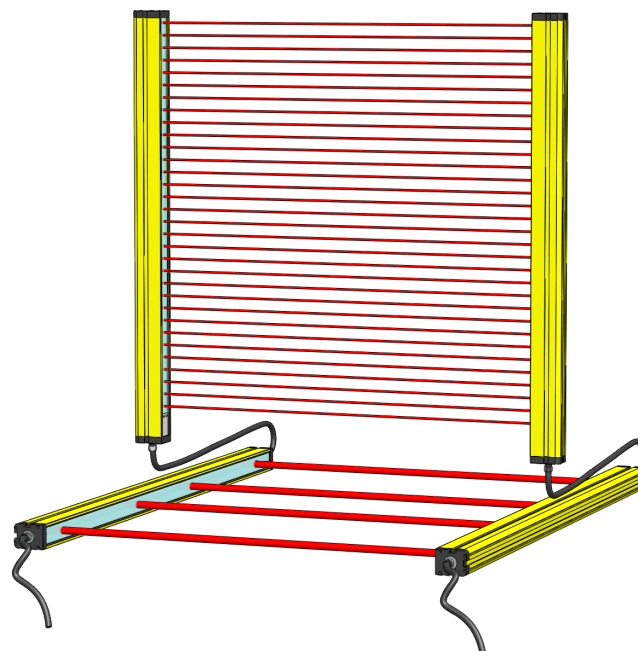
1. T-, L-muting: Muting sensor A must be activated before muting sensor B. X-muting: Either A och B can be activated first.

2. Additional settings/timings available for Focus II light grids, see 4.4.

3. The maximum time that Focus II will allow muting A or muting B to drop without detecting a muting stop.

### Features - Muting grid

Bypassing of light curtain or grid in one or two directions (L-form, T-form). Connected directly via a M12 cable to light curtain/grid.



## 6.3 T-Activation Mode

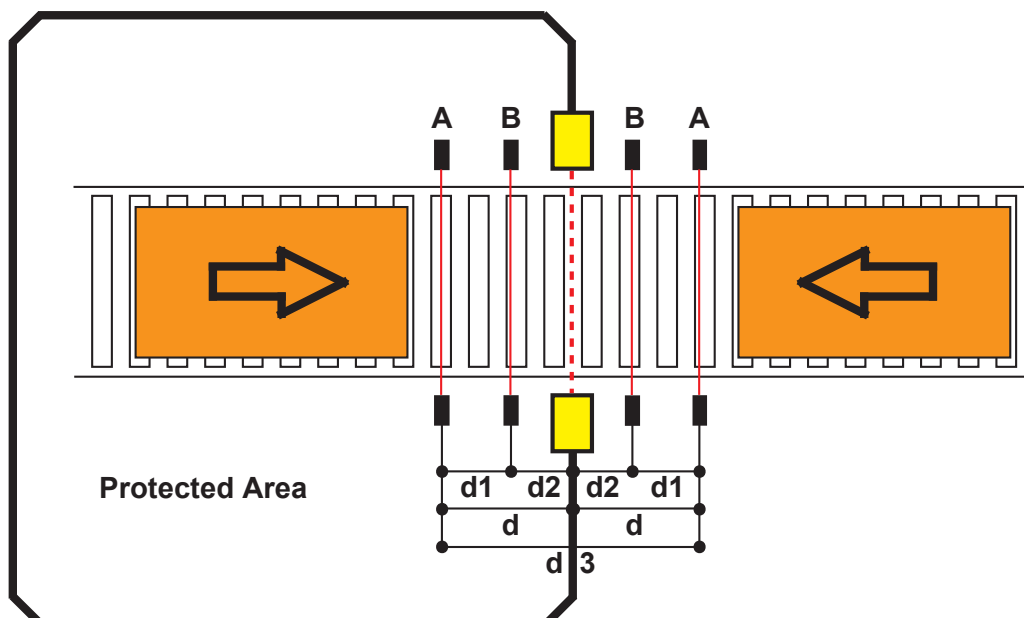
The T-muting activation mode is the default and standard application for muting. Four muting sensors are used in two pairs (OR function), connected to the two Muting inputs, Muting A and Muting B. This muting activation mode allows bi-directional transport of material.

### NB!

- $d_1$  is the distance between the muting sensors. It must be more than 250 mm and needs to be checked additionally in regards to the speed of the material transport and time limitation in the muting function.
- $d_2$  is the distance between the Muting sensor B and the Focus II system. It must be as short as possible. Timing limitations and the speed of the material transport must be considered additionally.
- $d_3$  is the distance between the two sensors connected to Muting A input. This distance represents the minimum length of the material to be detected.

Timing requirements and limitations:

- If Muting A is activated, Muting B must be activated within 120 s to activate the muting function. Otherwise muting function is not achieved.
- Muting A and Muting B cannot be activated at the same time. A minimum time difference is approximately 30 ms and is mandatory.
- Maximum muting time is 600 s. After this time, muting function is stopped even if the Muting inputs are still active.
- The Focus II allows that Muting A or Muting B drop for a maximum time of 200 ms without stopping the muting function. A time longer than 200 ms is detected as a muting stop.



## 6.4 L-Activation Mode

The L-muting activation mode can be used in applications where material is transported only out from the hazardous area. Two muting sensors are connected to the two Muting inputs, Muting A and Muting B.

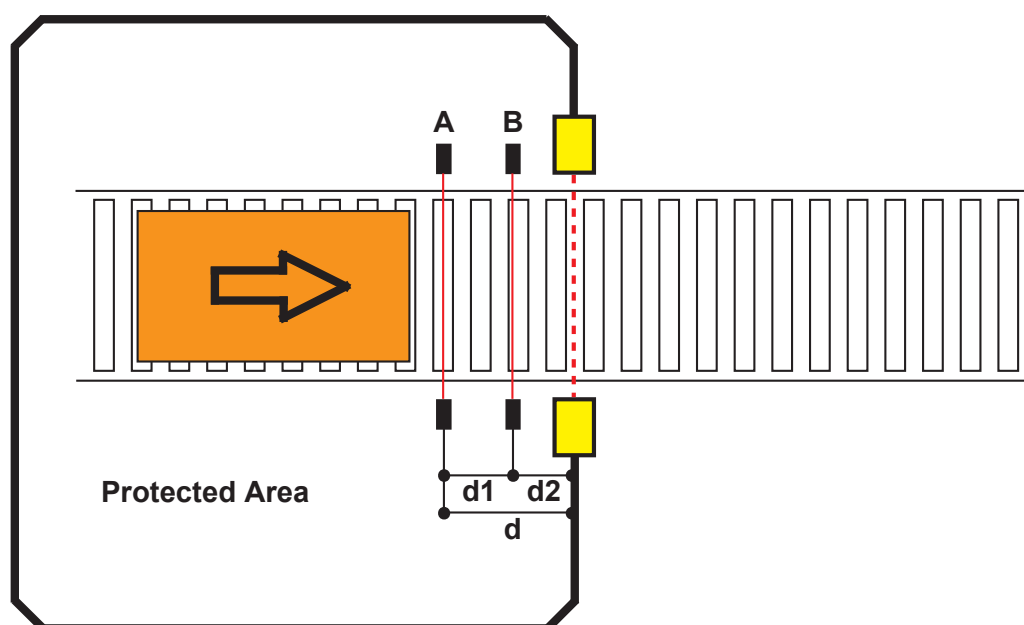
This muting activation mode can only be used in uni-directional transport. Failure to do so may result in serious injury.

### NB!

- $d_1$  is the distance between the muting sensors. It must be more than 250 mm and needs to be checked additionally in regards to the speed of the material transport and time limitation in the muting function.
- $d_2$  is the distance between the Muting sensor B and the Focus II system. It must be as short as possible. Timing limitations and the speed of the material transport must be considered additionally.
- $d$  is the distance between the Focus II system and the sensor connected to Muting A input. This distance represents the minimum length of the material to be detected.

Timing requirements and limitations:

- If Muting A is activated, Muting B must be activated within 120 s to activate the muting function. Otherwise muting function is not achieved.
- Muting A and Muting B cannot be activated at the same time. A minimum time difference is approximately 30 ms and is mandatory.
- If Muting A and Muting B are activated, the protective field must be obscured within 120 s. Otherwise the muting function is stopped.
- Maximum muting time is 600 s. After this time, muting function is stopped even if the muting inputs are still active or the protective field is still obscured.
- The Focus II allows that Muting A or Muting B and the whole protective field to drop for a maximum time of 200 ms without stopping the muting function. A time longer than 200 ms and the muting function stops.



## 6.5 X-Activation Mode

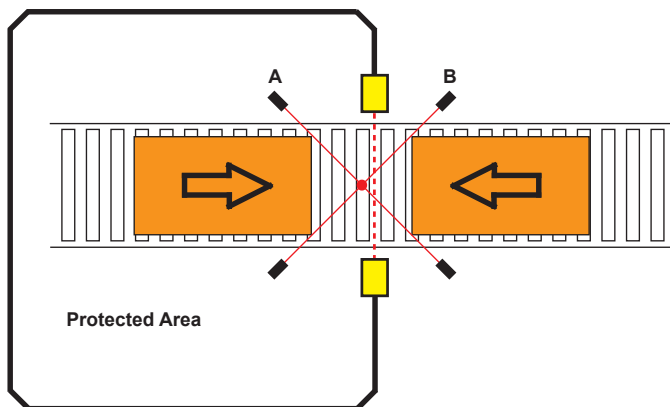
The X-muting activation mode allows bi-directional transport of material. This muting mode is used in applications, where eg. pallets are used to carry stacked boxes or crates. Most stable detection of this kind of material is possible using the X-muting activation mode. Two muting sensors are connected to the two muting inputs, Muting A must be a sensor with high output (NO) and Muting B must be a sensor with low output (NC) when the sensor is interrupted (i.e. an object is detected).

Timing requirements and limitations:

- Either Muting A or Muting B can be used to initiate the muting function.
- The second muting sensor must be activated within 4 s of the first sensor to activate the muting function.
- Muting A and Muting B can be activated at the same time.
- Muting time is infinite.
- The Focus II allows that Muting A or Muting B drop for a maximum time of 200 ms without stopping the muting function. A time longer than 200 ms is detected as a muting stop.

### NB!

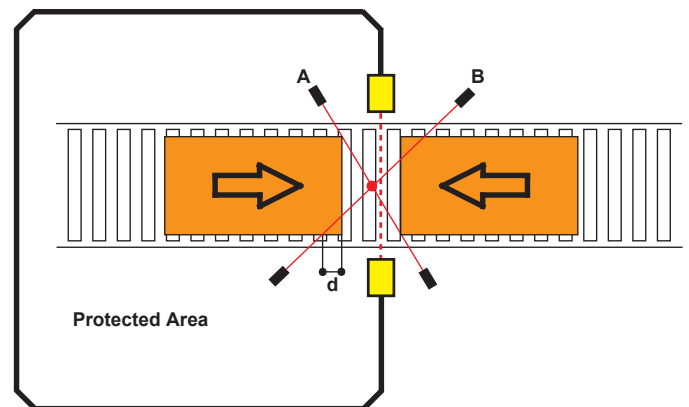
- Muting sensors must be NO on A and NC on B to get this function.
- The crossing point of the two muting sensors should be inside the hazardous zone. Failure to do so may result in serious injury.
- Light grids (FII-4-K...) can be set up for use with two NO muting sensors by using the change-over switches on the receiver (see 4.4). This setting also introduce an additional timing requirement; muting A and muting B cannot be activated at the same time. A minimum time difference of approximately 30 ms is mandatory.



Standard X-muting:

**Muting A is NO and muting B is NC**

Muting A and muting B can be activated at the same time, and must be activated within 4 s of each other.



Alternative X-muting (see 4.4):

**Both muting A and B are NO (for light grids only)**

The second muting sensor cannot be activated until at least 30 ms after the first sensor is activated. The distance  $d$  must therefore be considered (in regards to the speed of the conveyor, in the above example). Second sensor must be activated within 4 s after the other.



## 6.6 Partial Muting

A module is a section of the barrier, the size of which is defined in the tables in 5.7.

The first module is always the one next to the indicator LEDs. E.g. Focus FII-4-30-600 consists of 4 modules, each containing 8 beams, giving a total of 32 beams in the whole barrier.

Switches 4 and 5 has to be set according to the chosen muting function (T, L or X). Switches 1, 2, and 3 in the receiver are set according to the choice of muting all modules, single module or a combination of several modules. See 4.4. Default setting is for muting of all modules (1, 2, and 3 are in the position "Off").

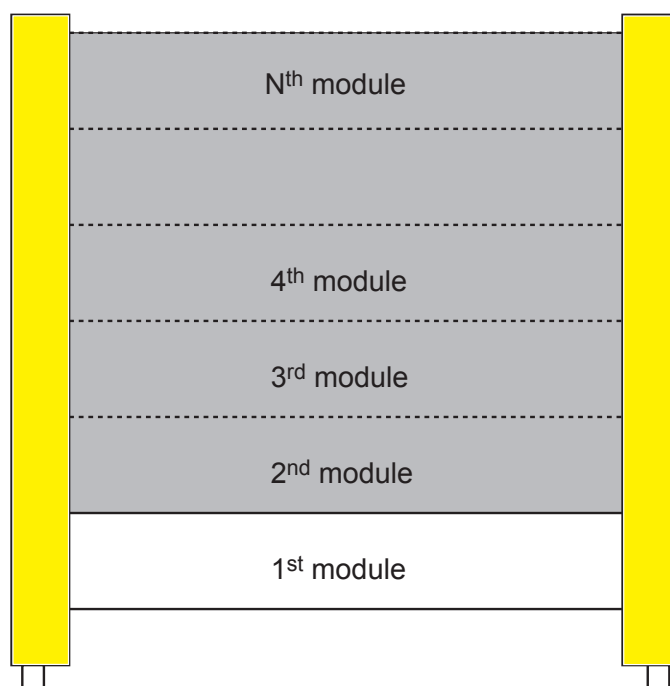
Muting of a single module makes it possible to disconnect only one module at every muting moment. Muting of several modules makes it possible to disconnect two or more modules, or even the whole barrier.

### NB!

- When muting a single module, the module that contains the synchronising optical beam, which is located furthest away from the M12 connector, must not be chosen. If it is, the muting function is disabled.
- If muting is chosen from a module which does not exist (e.g. muting of the 4th module in a barrier that only has 3 modules, e.g. FII-4-K3-800) the muting function will not be activated, i.e. the barrier maintains protective function at all times, without muting.
- If, at muting of several modules, a choice of muting modules includes one that does not exist (e.g. muting of modules 1+2+3+4 in a barrier that only has 3 modules, e.g. FII-4-K3-800) the barrier will choose muting of all existing modules.

The locations of the modules are shown in this drawing:

For detailed information about how many beams are included in one module and which switches to set see table at 4.4 and 5.7.



## 7 Override

- This function makes it possible to bypass the barrier completely and activate the OSSD outputs if machine start is necessary even if one or more beams are interrupted.
- This possibility is included in all Focus II barriers. This function is only possible when the muting indicator is connected and if at least one beam is interrupted. If e.g. a pallet during muting operation has stopped and at least one beam is interrupted after a voltage drop out, it would otherwise not be possible to restart the conveyor belt.

**NB!** Make sure that the operator is able to check the entire protective field as long as override function is enabled. Failure to do so may result in serious injury.

- To start override, the Focus II must be in stop state and at least one beam must be blocked.
- If the entire protective field is free for more than 2 s the override function is immediately stopped.
- A Test request on the TEST/RESET input will stop the override function immediately.
- Maximum timeout for override is 600 s. After this timeout, the Focus II system is restarting according to the interlock mode set by the selector switches.

### At start-up:

- Switch off the power supply.
- Restore the power supply and press the test/reset ① (see 5) button after approx. 2 s but within 5 s and keep the button pressed for at least 5 s. The OSSD outputs will activate and thereby remain activated for a maximum time of 600 s.
- The override function is now enabled and the LMS indicator flashes to signal that the barrier is being overridden.
- At automatic reset, the OSSD outputs remain activated.
- At manual reset, the reset button must be pressed and released again.

### At operating cycle:

- One or both muting inputs must be active.
- Press and release the test/reset ① (see 5) button 3 times <1 s. The OSSD outputs will be activated for >2 s.

## 8 Pre-reset function

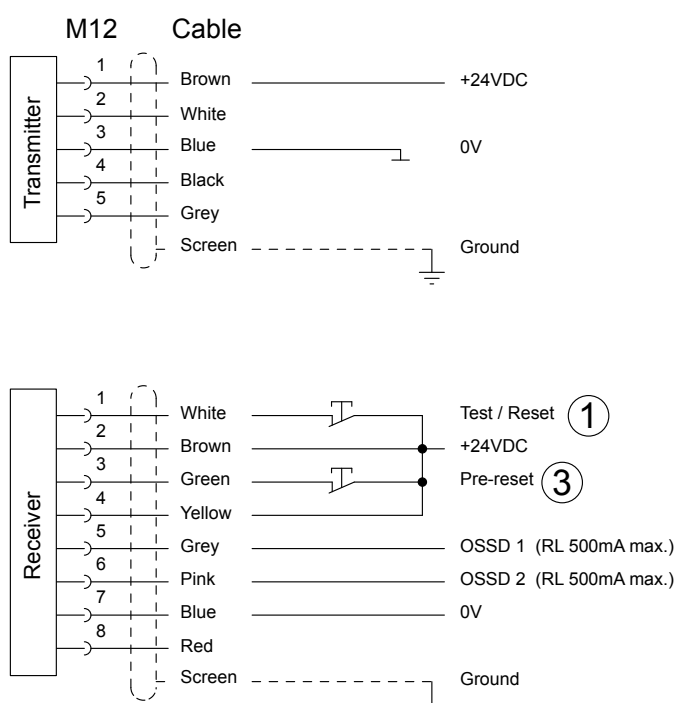
**NB!** The Pre-reset function is an addition to the manual reset function. It can be used, where the operator doing the reset is not able to see the entire hazardous zone.

The pre-reset pushbutton must be installed in the (hazardous) zone from where the operator is able to check that nobody else is in the hazardous zone before the manual reset function is used. Failure to do so may result in serious injury.

- Pre-reset function sets the Focus II system to manual reset mode.
- Blanking function can not be selected using pre-reset function.
- Muting function can not be selected using pre-reset function.
- The time limit between pre-reset and manual reset is 8 s.

### Pre-reset setup and connection example

- Enable pre-reset mode with the internal change-over switches (See 4.4).
- Connect a pre-reset button ③ to MUTING A input (green) and +24 VDC to MUTING B input (yellow).



### Pre-reset sequence

1. Press pre-reset button. LED 5 flashes once per second.
2. <8 s to execute step 3 and 4.
3. Pass through the detection zone.
4. Press reset button.
5. OSSD to on.

## 9 Blanking

**NB!**

- Use of Blanking will change the resolution of the light curtain.
- Improper use of this feature can result in severe injury to personnel.
- Blanking may require an additional fixed guard.
- Blanking may require an increase in the safety distance.

**Read the following section carefully.**

A selectable number of optical beams can be obstructed at any location in the detection zone as long as the optical synchronization is maintained.

The beam opposite side to the connector end-cap is used for optical synchronization and cannot be blanked.

An object can freely float from one end of the protective field to the other without the Focus II system entering the stop state. The obstructed beams are not fixed at a single location but "float" through the detection zone. It is possible to have multiple blanked areas of different sizes.

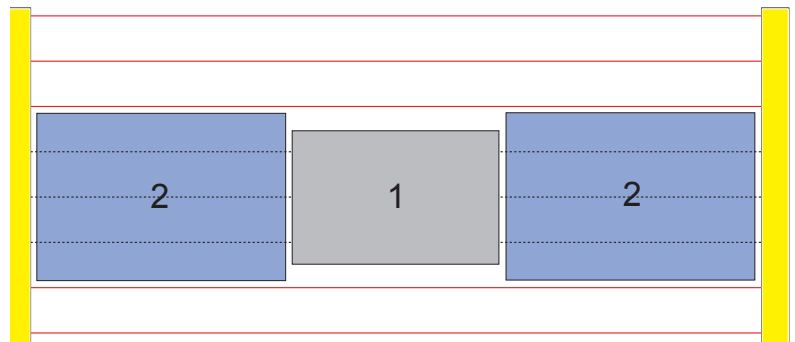
Setting of Blanking is done by a teach-in or with BP-1 see 9.1.

When blanking is used, the blanked area must be continuously and entirely occupied by material, fixtures, fixed guards or removable interlocking guards.

Example using additional mechanical guarding:

Where

- 1 = part that permanently blocks 3 beams, eg. a support table
- 2 = area that needs additional mechanical guard



There are two limitations for the Blanking function:

1. Maximum percentage of blanked beams out of total beams is 30%
2. Maximum number of blanked beams is 21.

The Blanking function is active as long as the beams obstructed during the teach-in remain blocked. If the number of beams obstructed is higher or lower, the Focus II system will change to ERROR state with the LED 2 and 4 blinking. To reset this error, press and release the TEST/RESET pushbutton when the object is in the detection zone again.

Blanking function can be used in combination with T muting of all beams or L muting of all beams (see 4.4), as long as a muting indicator is connected.

## Beam tolerance setting

The blanking function has three different tolerance settings to allow movement or vibration of the objects that obscure the detection zone. The different tolerance settings influence the resolution of the Focus II system according to the table below.


Name	Tolerance	Resolution (mm)	
		FII-4-14-yyyy	FII-4-30-yyyy
Blanking ±1	Pattern ±1 beam	28	60
Blanking +1	Pattern +1 beam	21	45
Blanking ±0	Pattern	14	30

**NB!** When blanking is used, the safety distance has to be calculated in accordance with EN ISO 13855 using the resolution given in the table above (see 3.3). Clearly mark the new resolution on all labels (4 pcs) of the Focus II system after setting the blanking mode, with a permanent marker pen as shown on picture below.

Original

Model: <b>FRII-4-30-600</b>		
Type: <b>4</b>	Resolution: (mm) <b>30</b>	Prot. height: (mm) <b>6</b>
Range: <b>S 0,2-07m, L 07-15m</b>		

Changed

Model: <b>FRII-4-30-600</b>		
Type: <b>4</b>	Resolution: (mm) <b>60</b> 	Prot. height: (mm) <b>6</b>
Range: <b>S 0,2-07m, L 07-15m</b>		

## 9.1 Programming of Blanking

The blanking of material in the protection area is programmed as follows:

1. Switch off the barrier's power supply.
2. Place the object to be detected for blanking purposes in the optical field.
3. Select the internal change-over switches (see 4.4) required for the mode of blanking by looking at the table.
4. Connect the MUTING A (green) input to 24 VDC.  
The test/reset ① (see 5) contact must be closed.
5. Restore the barrier's power supply (to the receiver).
6. Supply the MUTING B (yellow) input with 24 VDC.
7. The barrier signals successful memorisation of the object in the optical field by the flashing of the LED 2 in the receiver, confirming the acceptance of blanking. If the LED does not flash at this point, it means that the object takes up an amount of optical beams which exceeds 21 beams or 30% of the total number of beams in the barrier. Blanking is then not allowed.
8. Disconnect the MUTING A and MUTING B inputs from 24 VDC.
9. The barrier works normally and signals blanking operation by the flashing of the LED 2.

### To Turn Blanking Off

Blanking mode is deactivated with the internal change-over switches. (See 4.4)

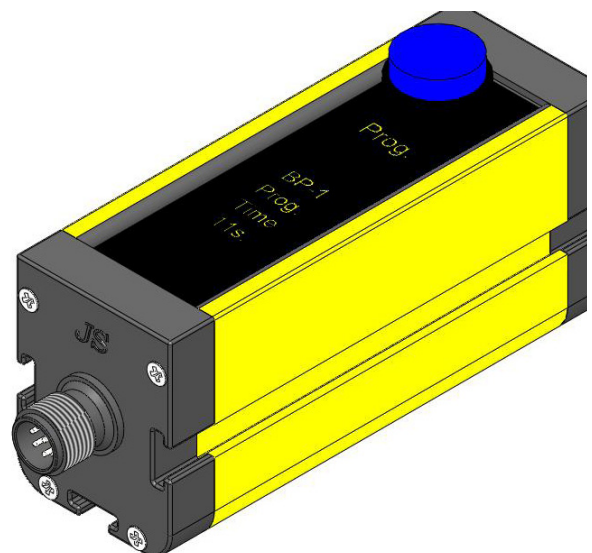
**NB!** Programming of blanking with no object in the optical field does NOT deactivate blanking. The tolerance setting and the new resolution are still present.

### Blanking Programmer BP-1

Facilitates programming of selected blanking operation, especially if the extension of the object in the optical field changes every now and then. The unit is connected via M12 connectors in series, with the cable to the Focus II receiver unit.

The procedure is as follows:

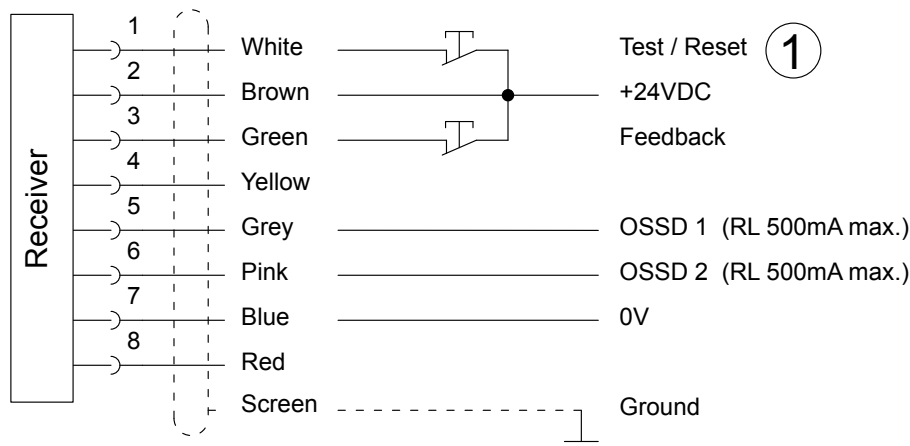
1. Disconnect the cable to the receiver and connect it instead to the bottom M12 connector of BP-1.
2. Connect the short cable from the top M12 con. of BP-1 to the receiver unit.
3. Place the object to be detected for blanking purposes in the optical field.
4. Switch on the power supply.
5. Press the blue button "Prog." of BP-1.
6. After 11 s the blue indicator is lit and programming is finished.
7. Disconnect the cable and connect it directly to the receiver unit. Or have it connected all time.
8. Programming is finished.



## 10 Single/Double Break function

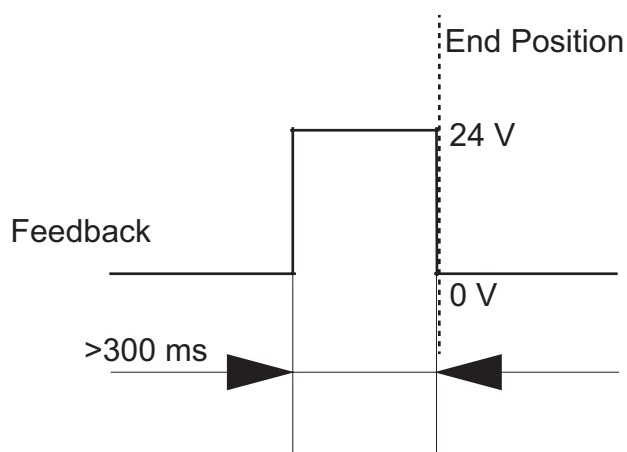
This control function can be used on small press machines where the operator is performing a loading and/or unloading cycle manually.

### Wiring diagram:



### NB!

- The feedback input must be a NC contact, providing a high to low transition when the machine head is in the safe position and the operator can enter the hazardous zone.
- As long as the safety outputs are ON, an additional interruption of the protective field will result in an interlock situation.
- A manual restart is necessary to start the single/double break function sequence again after power on or any other interruption of the protective field while the machine is working.
- Input from restart and/or feedback must be longer than 300 ms.
- Minimum time of interrupting the protective field is 300 ms.
- Load/unload must be completed within 30 s after manual restart or after end position reached.



## 10.1 Single Break function

The Focus II will power-up with its safety outputs off and enter the lock state if the detection zone is clear. After power-up, a manual restart is necessary to start the single break function. Focus II system will enter the run state when the detection zone is entered and cleared again. It will change to lock state automatically when one cycle of the machine is finished. The cycle can be restarted by entering and clearing the detection zone again.

Each operating cycle monitored by the single break function works as follows:

- Protective field is interrupted and free again (load or unload manually)
- Safety outputs enter run state and machine operates
- While the machine is in operation the feedback is not tested
- When end position is reached, the feedback input provide a high to low transition.
- Safety outputs enter stop state

## 10.2 Double Break function

This operation mode is similar to single break operation except: Operator is doing a loading and an unloading cycle manually. Focus II system will enter the run state when the detection zone is entered and cleared again twice.

Each operating cycle monitored by the double break function works as follows:

- Protective field is interrupted and free again first time (unload)
- Protective field is interrupted and free again second time (load)
- Safety outputs enter run state and machine operates
- While the machine is in operation the feedback is not tested
- When end position is reached, the feedback input provide a high to low transition.
- Safety outputs enter stop state



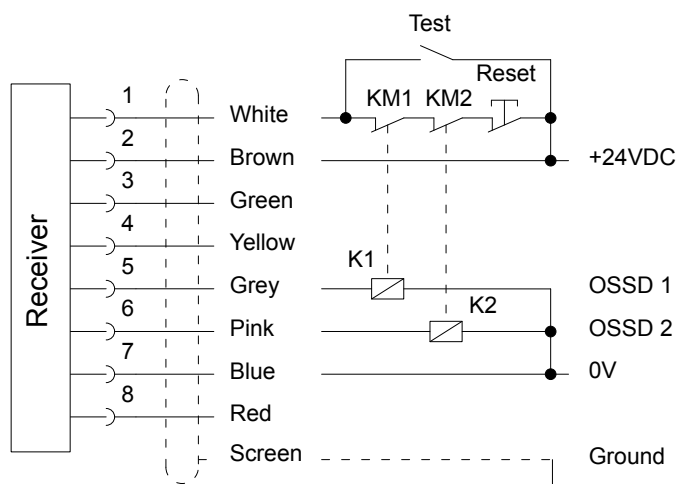
## 11 External Device Monitoring (EDM)

EDM is an extra safety function. The function monitors the Focus II system interface to the guarded machine and ensure that the control elements are responding correctly to the light barrier. It also detects any inconsistency between the two external contactors, everything to detect a malfunction within the interface which prevents a stop signal from reaching the machine controller. The connection for the EDM is made at the receiver. On power-up, the Focus II system looks for a closed to +24VDC condition. If this is found, it will enter a state consistent with the selected operating mode. When the Focus II system enables its safety outputs, it monitors the external devices for a closed to open transition. This transition must occur within 300 ms or the Focus II system will then enter an alarm state.

Additionally, if the EDM connections are incorrectly wired, the system will enter an alarm state. The EDM function can be activated and deactivated using the selector switches on the receiver unit.

### Wiring diagram:

K1 and K2 are standard contactors, KM1 and KM2 are NC contacts (force guided) of K1 and K2.



## 12 Checkout Procedure

Once the Focus II system has been configured, mounted, aligned and properly connected to the machine control system, the initial Checkout Procedure (see 25) must be performed by qualified personnel. A copy of the checkout results should be kept with the machine records.

The tests outlined in the Test Procedure (see 26) must be performed at installation, according to the employer's regular inspection program and after any maintenance, tooling change set up, adjustment or modification to the Focus II system or the guarded machine. Where a guarded machine is used by multiple operators or shifts, it is suggested that the test procedure is performed at each shift or operator change. Testing ensures that the light curtain and the machine control system work properly to stop the machine.

Failure to test properly could result in serious injury to personnel. The test procedure must be performed by qualified personnel. To test the Focus II system with floating blanking disabled, use the supplied test object. For applications where blanking is enabled, see the table in the chapter "Blanking" to determine the proper size of the test object.

## 13 Transmitter LED Information

### Normal operation

#	LED indication	Name of LED	Colour
		1	Green
		2	Yellow
		3	Green
		4 Not used	Red
		5	Yellow
	1 2 3 4 5	<b>Description</b>	
1	● ● ○ ○ ●	Normal operation, long range selected	
2	● ● ● ○ ●	Normal operation, short range selected	

### Error conditions

#	LED indication	Name of LED	Colour
		1	Green
		2	Yellow
		3	Green
		4 Not used	Red
		5	Yellow
	1 2 3 4 5	<b>Description of error</b>	<b>Corrective action</b>
1	● ○ ○ ○ ○	Low voltage	Check power supply (24 VDC ± 20%)
2	● ◐ ○ ○ ◐	Control logic fault	Check that change-over switch bank 1 and bank 2 are equal. Remove and reapply power. If error is still present, contact your local ABB AB JOKAB SAFETY distributor.
3	● ○ ○ ○ ◐	Error on range selection	Check the setting of the switches for the range selection

# 14 Receiver LED Information

## Normal operation

#	LED indication	Name of LED	Colour
		1	Green
		2	Yellow
		3	Green
		4	Red
		5	Yellow
	1 2 3 4 5	<b>Description</b>	
1	● ○ ● ○ ○	OSSD on	
2	● ○ ○ ● ○	OSSD off	
3	● ○ ○ ● ●	Waiting for Reset	
4	● ● ● ○ ●	Alignment mode - best optical alignment	
5	● ● ● ○ ○	Short circuit on output	
<b>Pre-reset:</b>			
6	● ○ ○ ● ●	Waiting for reset	
7	● ○ ○ ● ◐	Pre-reset button pushed. Waiting for reset. 1 flash/sec.	
<b>Blanking:</b>			
8	● ◐ ● ○ ○	Floating blanking active	
9	● ◐ ○ ● ○	Floating blanking active, object in protective field	
<b>Single/double break:</b>			
10	● ○ ○ ● ◐	Waiting for manual restart of single/double break function sequence after power on or after interruption of the protective field while the machine is working. 2 flashes/sec.	
11	● ○ ○ ● ◐	Normal operation of single/double break function (load/unload). 3 flashes/sec.	
12	● ○ ● ○ ◐	Normal operation of single/double break function (machine operation). 3 flashes/sec.	

## Error conditions

#	LED indication	Name of LED	Colour
		1	Green
		2	Yellow
		3	Green
		4	Red
		5	Yellow
	1 2 3 4 5	Description of error	Corrective action
1	● ○ ○ ○ ○	Low voltage	Check power supply (24 VDC ± 20%)
2	● ◐ ○ ○ ◐	Control logic fault	Check that change-over switch bank 1 and bank 2 are equal. Remove and reapply power. If error is still present, contact your local ABB AB JOKAB SAFETY distributor.
3	● ◐ ○ ◐ ◐	Error on safety outputs	Check wiring of the OSSD outputs.
4	● ◐ ◐ ○ ◐	Muting lamp connection fault or defective	Check the connection of the muting lamp and/or check condition of the muting lamp.
5	● ◐ ○ ○ ○	Mutual light interference	Check the presence of ambient light sources close to the protection field. Use coding option or remove the light source.
6	● ◐ ○ ◐ ○	Error in floating blanking mode. Object not present.	Check the position of the blanking object. Make sure it is inside the blanking area.
7	● ◐ ◐ ◐ ◐	EDM fault	Check and correct EDM wiring.
8	● ○ ○ ○ ◐	Error in pre-reset mode	Pre-reset condition was not met. Correct placement of the pre-reset switch to keep timing within the specification.

## 15 Regular checkout and test

**NB!** Make sure that following checkout and test routines are carried out on a regular basis. Failure to test properly could result in serious injury to personnel. All tests must be performed by qualified personnel. A copy of the checkout results should be kept with the machine records.

How often the checks above must be done depends on the environment and the individual conditions where the barrier is installed.

All relevant local and national rules must be adhered to when estimating the required frequency of checks. In case there is any doubt, a local or national safety organisation should be consulted.

Repeat Tests 1 and 2 on a daily basis. Repeat Tests 1 to 6 at least every six months. Failure to test properly could result in serious injury to personnel.

1. Guide the test object through the entire protective field approximately in the middle of, and 1 m from the front of transmitter / receiver with the appropriate size of the tool, thin side for the 14 mm resolution and the thicker side for 30 mm resolution.

Check this in:

Manual reset;           The outputs of the Focus II system remain in the OFF state and the red LED 4 is lit during the entire test and yellow LED 5 is lit when test tool is removed.

Automatic reset;       The outputs of the Focus II system remain in the OFF state and the red LED 4 is lit during the entire test.

2. Activate the TEST/RESET (>2.5 s). Check that the safety outputs of the Focus II system become voltage free. The red LED (4) is lit and the machinery is stopped.
3. Check that the mounting distance of the Focus II system is equal to or greater than the minimum safe distance from the danger point. See 3.3 and 3.4 for further information.
4. Make sure that all access to the danger point not protected by the Focus II system is guarded by other means, such as gates, fencing or other approved methods. Verify that all additional guarding devices are installed and operating properly.
5. Make sure the operator is not able to stand between the Focus II system detection zone and the hazards in the machine. Verify that the light curtain can only be reset from a position outside and where the hazardous machine area can be viewed.
6. Inspect the electrical connections between the guarded machine's control system and the Focus II system. Verify that they are not damaged and properly connected to the machine so that a stop signal from the Focus II system results in an immediate halt of the machine's cycle.

## 16 Technical specifications

Performance	
Protective height	Light curtains: 150 mm - 2400 mm Light grids: 500 mm - 1200 mm
Object resolution	Light curtains: 14 mm and 30 mm
Beam distance (center)	Light curtains: 7.5 mm and 18 mm Light grids: 300, 400, and 500 mm Double beams (-D versions): 46 mm
Operating range	0.2 m - 3.0 m (FII-4-14-...), default 3.0 m - 6.0 m (FII-4-14-...), DIP Switch option 0.2 m - 7.0 m (FII-4-30-...), default 7.0 m - 14 m (FII-4-30-...), DIP Switch option 0.5 m - 20 m (FII-4-K...), default (not -KxC versions) 20 m - 40 m (FII-4-K...), DIP Switch option (not -KxC versions) 0.5 m - 7 m (FII-4-K2C-900/1200) 0.5 m - 8 m (FII-4-K2C-800) 0.5 m - 12 m (FII-4-K1C-500)
Effective Aperture Angle	For FII-4-xx-yyyy: $\pm 2.5^\circ$ maximum, transmitter and receiver according to IEC61496-2 for distances > 3 m
Response time ON to OFF	Maximum: 103 ms. See 5.7 for more information
Light source	Infrared Emitting LEDs, Wavelength 880 nm Power Dissipation: $\leq 3$ mW Class 1 acc. EN60825-1

Mechanical	
Housing material	Painted aluminium, yellow, RAL 1018
Front plastic material	Polycarbonate
Connector material	Polyamide 6.6
End cap material	Polyamide 6.6
Sealing, gasket material	EPDM
Mounting bracket material	Black powder coated stainless steel
Mounting bolt	Stainless steel M6
Wiring connectors	8 Pin Receiver and 5 Pin Transmitter (M12)

Environmental	
Enclosure rating	IP65
Operating temperature	-10°C ... +55°C
Storage temperature	-25°C ... +70°C
Relative humidity	95% maximum, non condensing
Vibration (IEC 60086-2-6)	10-70 Hz, 0.35 mm, maximum on all 3 axes
Bump (IEC 60086-2-29)	10 G for 16 ms, 1000 bumps on all 3 axes

Electrical	
Power transmitter	24 VDC $\pm 20\%$ , maximum current 70 mA
Power receiver	24 VDC $\pm 20\%$ , maximum current 100 mA
Input voltage threshold	$V_{Hmin} = 17$ VDC, $V_{Lmax} = 6$ VDC

<b>Electrical</b>	
Test / Reset	10 mA, 24 VDC, normally closed input, >2.5 s
Muting A	10 mA, 24 VDC
Muting B	10 mA, 24 VDC
EDM	10 mA, 24 VDC
Muting lamp	50 mA min, 24 VDC
Safety outputs (OSSD)	Two PNP safety outputs, each sourcing 500 mA 24 VDC. Short circuit protection.
Voltage drop	< 2.3 V
Leakage current	< 1 mA
Capacitive load	< 250 nF for OSSD output
Inductive load	Please contact your local ABB AB JOKAB SAFETY representative
Test pulse data	Test pulse $\leq 300 \mu\text{s}$ Test interval > response time $\times 0.33$ Repetition > response time $\times 0.66$
Power supply	Shall meet the requirements of EN/IEC60204-1 and EN/IEC61496-1, and shall guarantee safe insulation from the mains voltage in accordance with IEC60742 and be able to cover a drop of supply voltage of at least 20 ms.
Protection class (IEC 536 or VDE 106)	III
Power on delay	< 2 s
Insulation resistance	> 20 M $\Omega$
Dielectric voltage strength	350 VAC (1 min)
<b>Connections</b>	
Cable length Focus II	Shielded cables: Max. 100 m, 0.4 mm <sup>2</sup> Max. 50 m, 0.2 mm <sup>2</sup>
Cable length Focus II CUT	Shielded cables, M12 connector 8-pin, these cables are shipped with the sensors. Maximum length is 0.9 m.
<b>Conformity</b>	
AOPD (ESPE)	Type 4 acc. to EN 61496-1:2004 and IEC 61496-2:2006
Category	FII-4-xx-yyyy system is suitable for safety control systems up to category 4 acc. EN ISO 13849-1:2008
Safety Integrity Level	Focus II system is suitable for up to SIL 3 per IEC 61508:2002.
Performance Level (PL)	Focus II type 4 systems are suitable for safety control systems up to PL e acc. EN ISO 13849-1:2008
Mean time to hazardous failure (MTTF <sub>d</sub> )	450 years
PFH	$2.5 \times 10^{-09}$
Proof test interval	Every 20 years



## 17 Accessories

Type No.	Article No.	Description
<b>M12-C61</b>	2TLA020056R0000	6 m cable 5x0.34 mm with straight M12 female connector
<b>M12-C101</b>	2TLA020056R1000	10 m cable 5x0.34 mm with straight M12 female connector
<b>M12-C201</b>	2TLA020056R1400	20 m cable 5x0.34 mm with straight M12 female connector
<b>M12-C112</b>	2TLA020056R2000	1 m cable 5x0.34 mm with straight M12 female+male
<b>M12-C312</b>	2TLA020056R2100	3 m cable 5x0.34 mm with straight M12 female+male
<b>M12-C1012</b>	2TLA020056R2300	10 m cable 5x0.34 mm with straight M12 female+male
<b>M12-C01</b>	2TLA020055R1000	5-pin connector female with screw connection
<b>M12-C02</b>	2TLA020055R1100	5-pin connector male with screw connection
<b>C5</b>	2TLA020057R0000	Cable PVC 5x0.34 mm
<b>M12-C63</b>	2TLA020056R3000	6 m cable 8x0.34 mm with straight M12 female connector
<b>M12-C103</b>	2TLA020056R4000	10 m cable 8x0.34 mm with straight M12 female connector
<b>M12-C203</b>	2TLA020056R4100	20 m cable 8x0.34 mm with straight M12 female connector
<b>M12-C134</b>	2TLA020056R5000	1 m cable 8x0.34 mm with straight M12 female+male
<b>M12-C334</b>	2TLA020056R5100	3 m cable 8x0.34 mm with straight M12 female+male
<b>M12-C03</b>	2TLA020055R1600	8-pin connector female with screw connection
<b>M12-C04</b>	2TLA020055R1700	8-pin connector male with screw connection
<b>C8</b>	2TLA020057R1000	Cable PVC 8x0.34 mm
<b>JS AP-1</b>	2TLA022070R1000	Adapter pin with resistance and 2 clamps
<b>JS SP-1</b>	2TLA022070R0000	Protection pin M12
<b>BP-1</b>	2TLA022090R2300	Blanking programmer

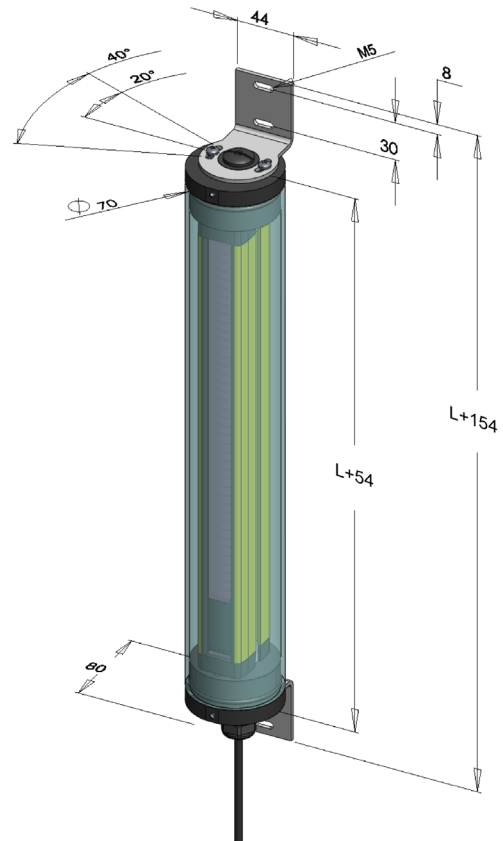
## Spare Parts

Article No.	Description
<b>2TLA022090R0000</b>	2x Bolt M6 × 14, stainless steel with, 2 washer and nut
<b>2TLA022090R1000</b>	JSM 66 Bracket 2.5 mm RF A2 painted black including, 2pc allen screw M6 × 12, 2pc T-nut M6 and 2pc washers.
<b>2TLA022090R1100</b>	JSM 66 Bracket 2.5 mm RF A2 painted black incl. bolt set for Focus II.
<b>2TLA022090R1200</b>	JSM 66 Bracket 2.5 mm RF A2 painted black incl. Bolt set for Focus II and 2pc allen screw M6 × 12, 2pc T-nut M6 and 2pc washers.
<b>2TLA022090R1300</b>	JSM 66 Bracket 2.5 mm RF A2 painted black.

## 18 WET enclosure

WET is a transparent enclosure for extreme washing conditions. Increases the enclosure protection class to IP68, and provides the possibility for drainage or aeration in order to avoid condensation. A Focus II with WET need to be assembled by the ABB Jokab Safety factory. When ordering, specify cable length out from the WET tubes and also specify operation mode. (internal change-over switches (see 4.4))

Length incl. lid:	Barrier + 54 mm
Total length:	Barrier + 154 mm
Material tube:	PC
Material lid:	PE
Max. operating temperature:	+55°C.



# 19 Bjorn - stands

An extra enclosure for the light barrier with solid structure that gives an excellent resistance to shocks and mechanical stresses in general, supplying a comfortable protection.

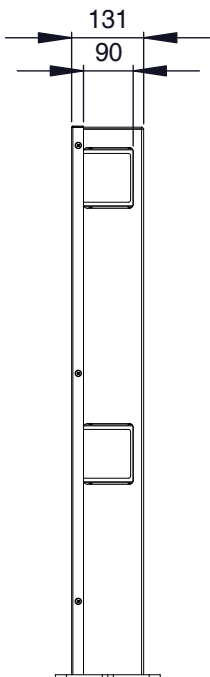
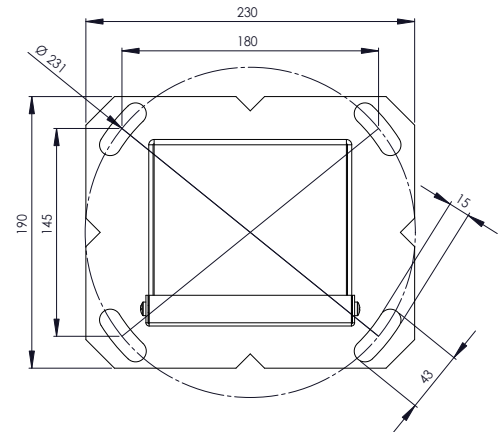
The adjustment of the barriers as well as of the mirror is made very easy, thanks to the presence of outer screws that can be easily reached.

The base has radius slotted holes and centre marks to ease the stand orthogonal positioning.

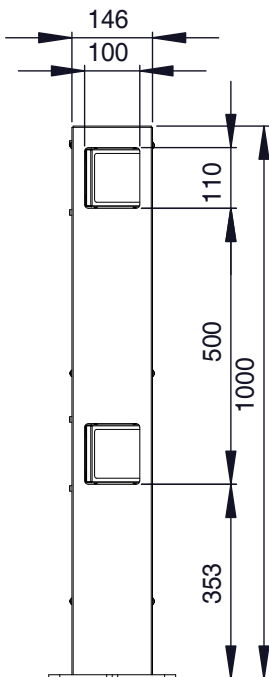
N2:	14 kg
H2, V2:	15 kg
N3:	17 kg
H3; N4-1:	18 kg
H4-1:	20 kg
N4-2:	22 kg
H4-2:	24 kg
N5:	27 kg

Mirror reduction:	≤10%
Material thickness:	Metal sheet, 3mm
Painting:	Epoxy Ral 1018

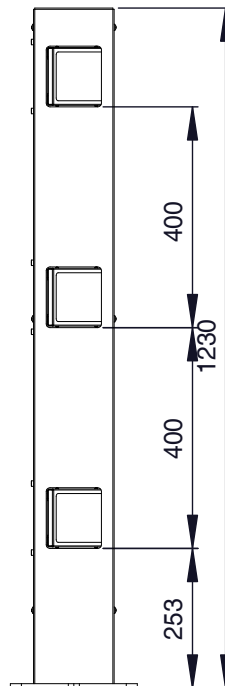
H2, V2 and N2 are stock items



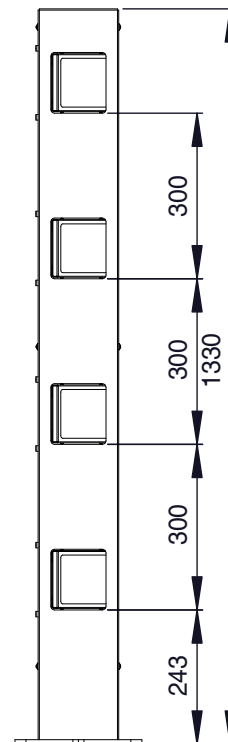
Bjorn H2  
2TLA022041R4000



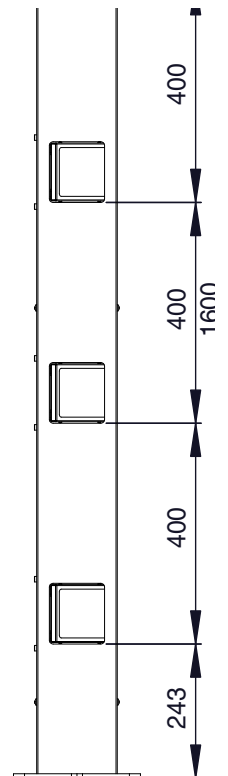
Bjorn V2  
2TLA022041R4100



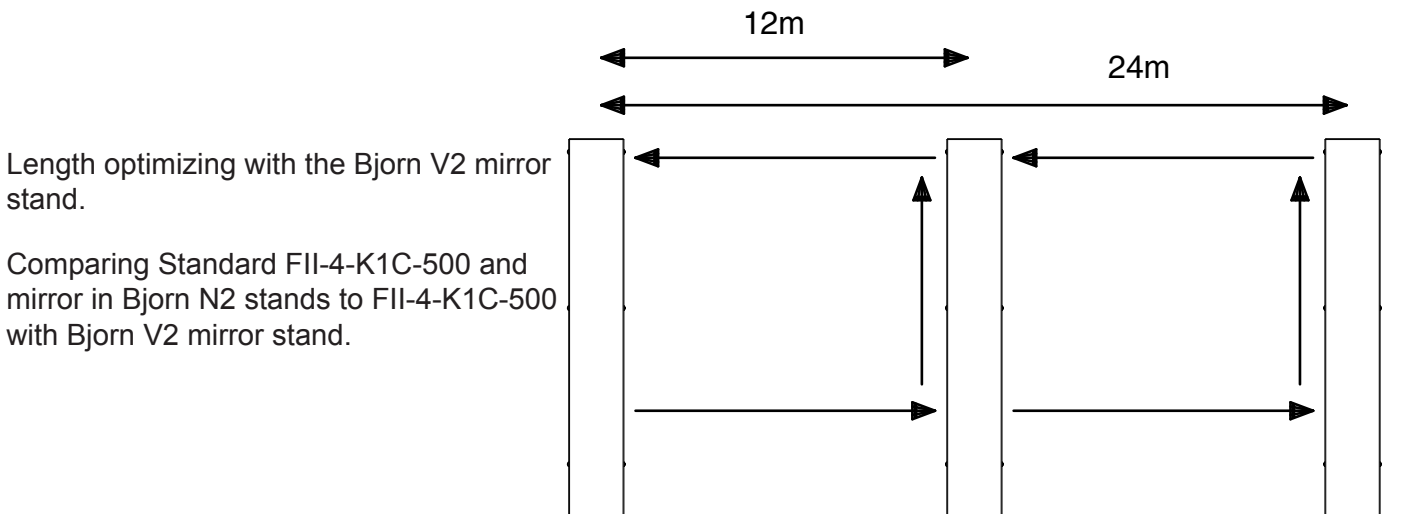
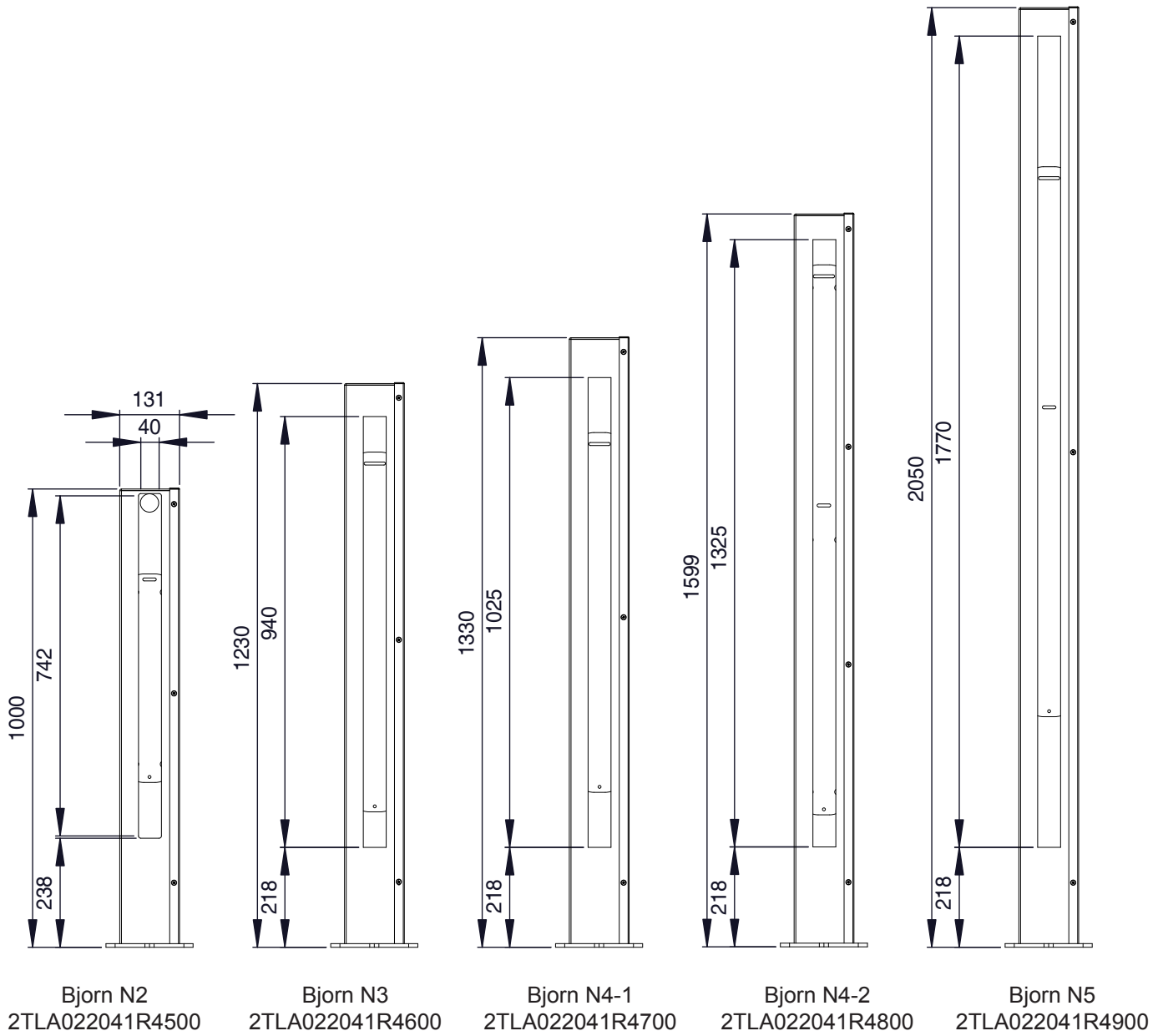
Bjorn H3  
2TLA022041R4200



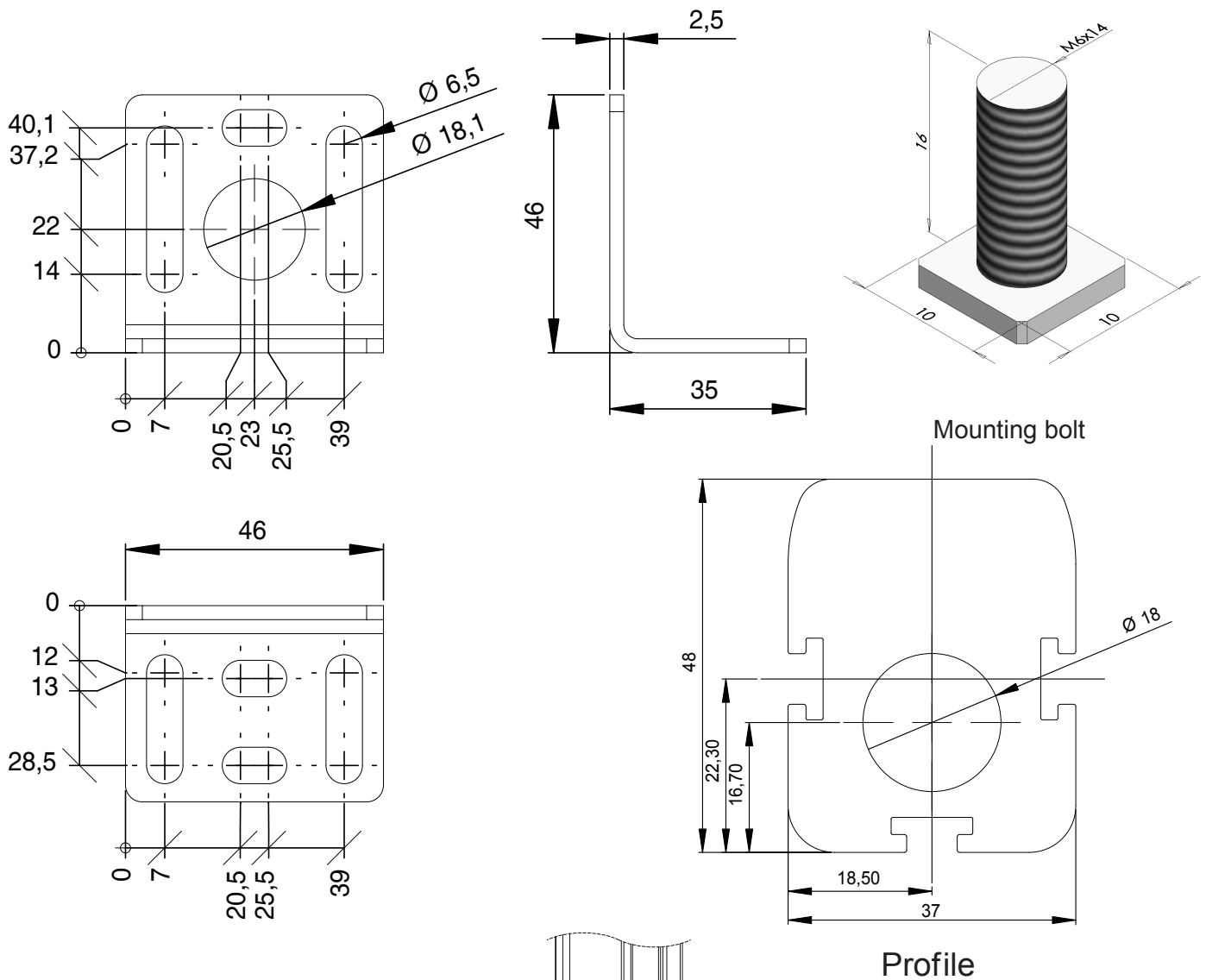
Bjorn H4-1  
2TLA022041R4300



Bjorn H4-2  
2TLA022041R4400

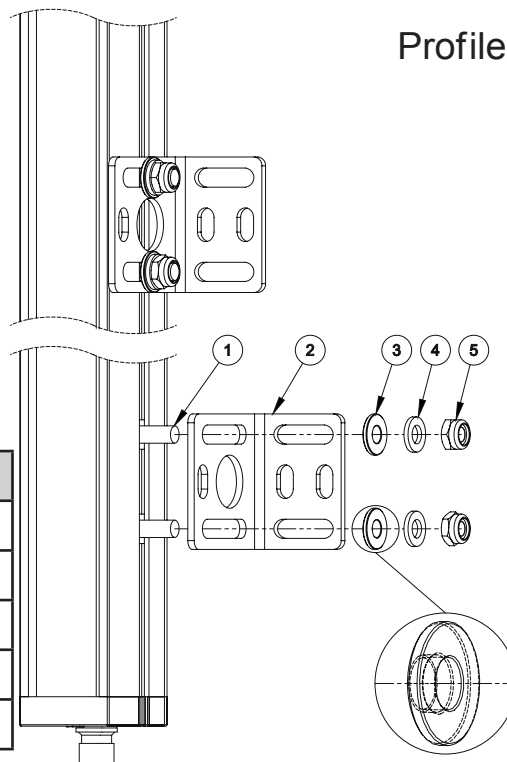


## 20 Dimensions of brackets and profile

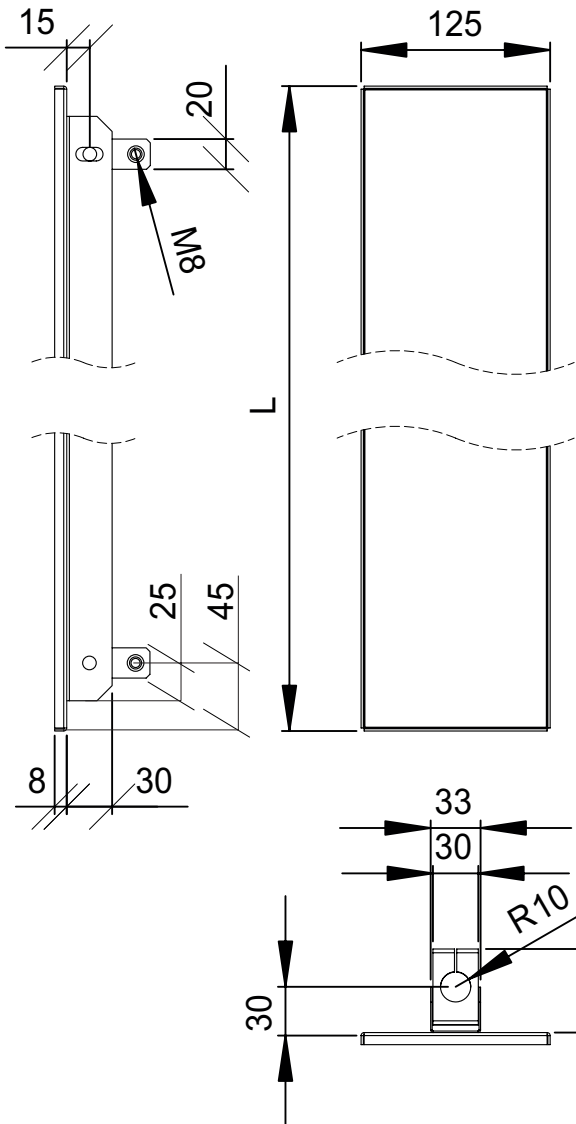


JSM 66, 2TLA022090R1000

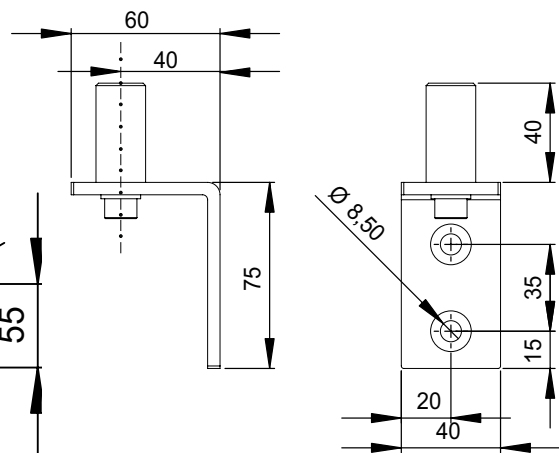
#	Article No.	Description
1	2TLA022090R0100	Mounting bolt
2	2TLA022090R1000	JSM 66
3	2TLA022090R2400	Plastic washer
4	2TLA022090R0400	Washer
5	2TLA022090R0200	Lock nut



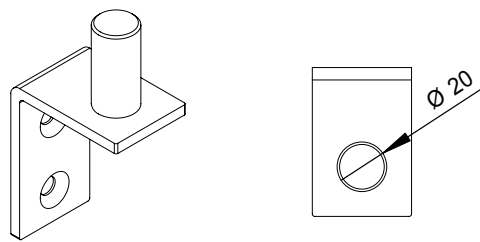
## 21 Dimensions of MFII mirrors and bracket



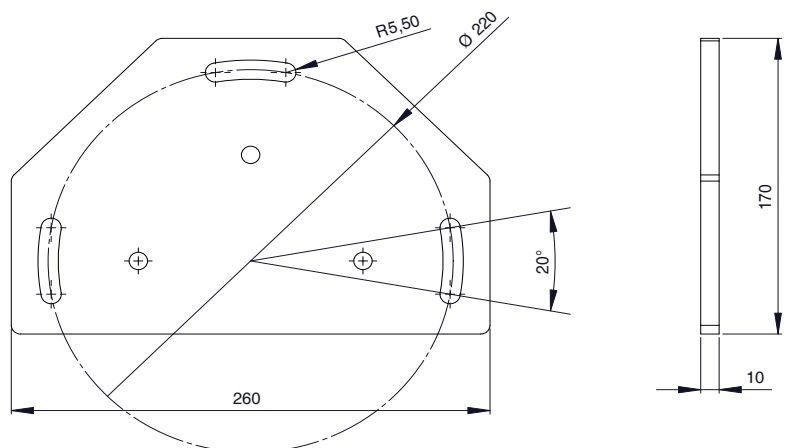
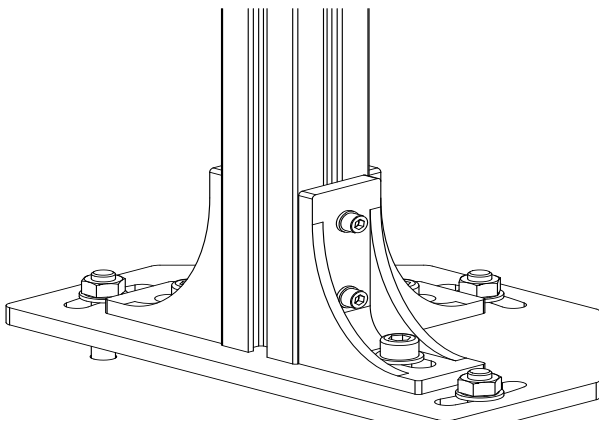
Type	Article No.	Total Height L
MFII-300	2TLA022041R0200	361
MFII-450	2TLA022041R0300	511
MFII-600	2TLA022041R0400	658
MFII-750	2TLA022041R0500	801
MFII-900	2TLA022041R0700	958
MFII-1050	2TLA022041R1200	1108
MFII-1200	2TLA022041R0800	1258
MFII-1350	2TLA022041R1300	1408
MFII-1500	2TLA022041R0900	1551
MFII-1650	2TLA022041R1000	1708



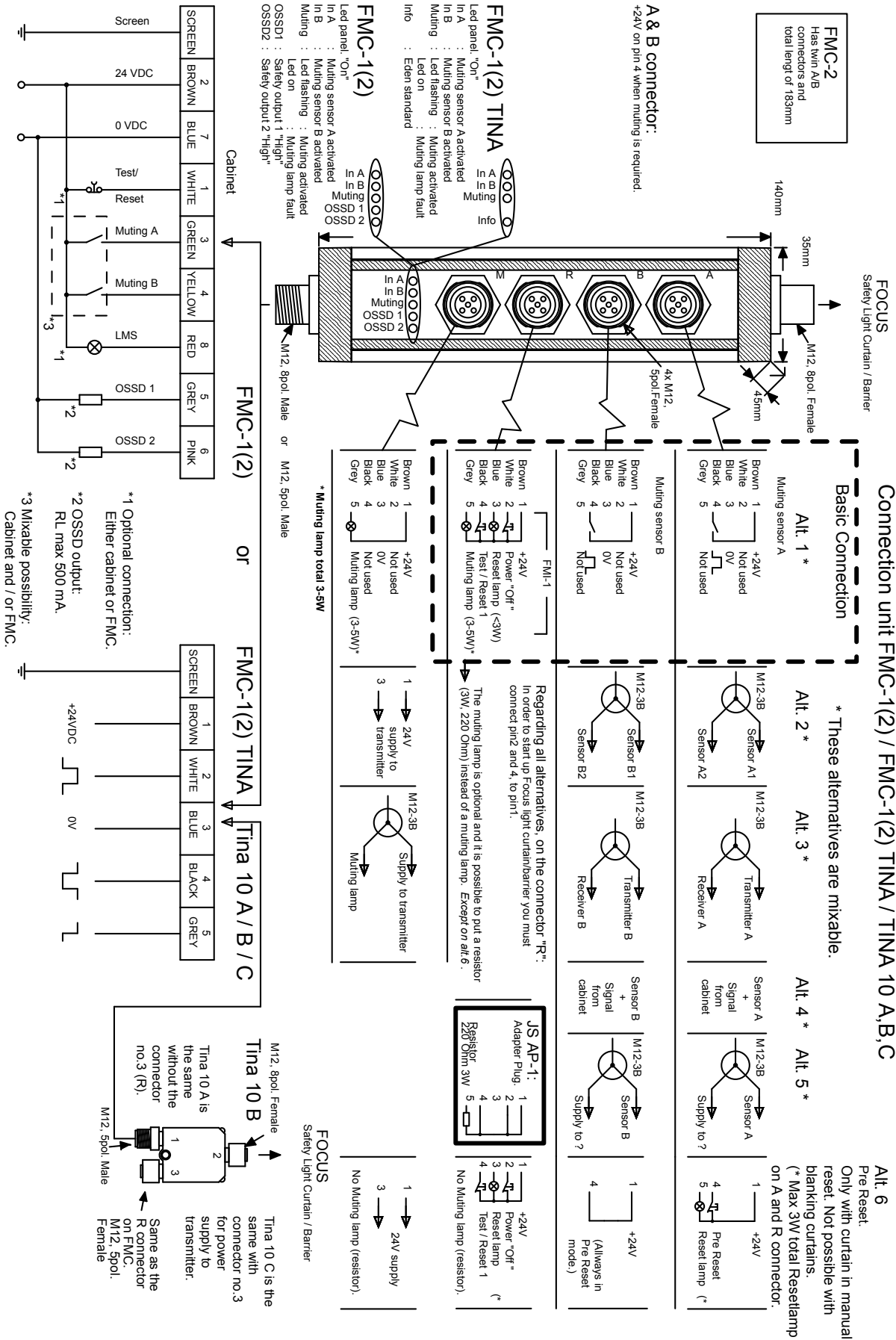
Bracket for MFII mirrors.  
Article no. 2TLA022041R2000,  
2 pieces for each mirror.

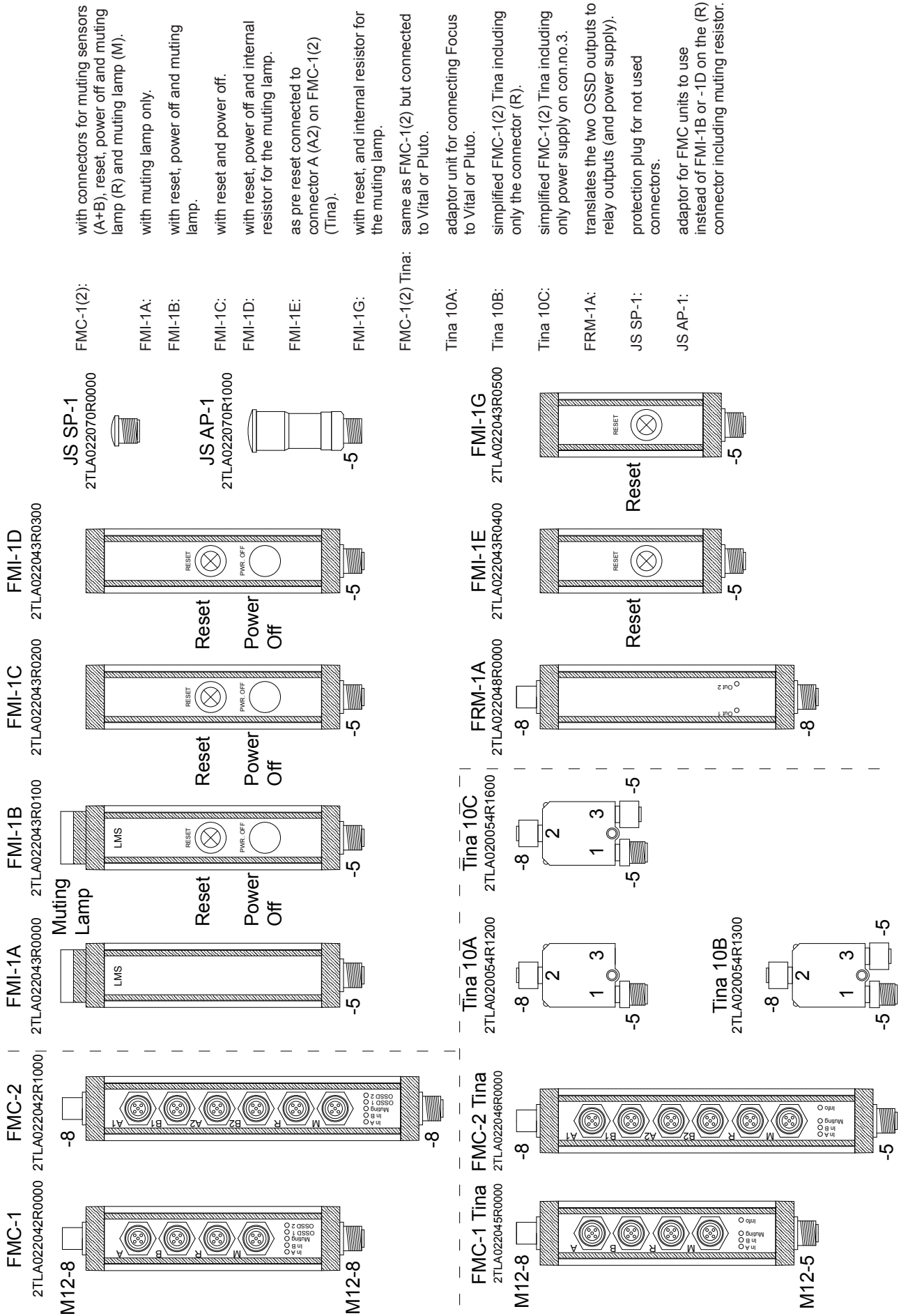


JSM 70, 2TLA040001R1500.  
Plate for easy adjustment on uneven floors.



# 22 Variant list and general schedule







## 23 Checkout procedure log

This log should be carried out at installation by qualified personnel and is recommended to use regularly according to company guidelines.

Check point	Condition	Comments
Verify that the guarded machine is compatible with the type of machine which may be used with the Focus II system.	<input type="checkbox"/> Pass <input type="checkbox"/> Fail	
Verify that the mounting distance of the Focus II system is equal to or greater than the minimum distance. See 3.3 or 3.4	<input type="checkbox"/> Pass <input type="checkbox"/> Fail	
Make sure that the operator is not able to stand between the Focus II system detection zone and the hazardous area. Verify that the reset button is only reachable from the safe area and that there is full view of the hazardous area.	<input type="checkbox"/> Pass <input type="checkbox"/> Fail	
Determine that all access to the hazardous area not protected by the Focus II system is guarded by fence or other fixed guard.	<input type="checkbox"/> Pass <input type="checkbox"/> Fail	
Inspect the electrical installation between the machine control system and the Focus II system. Verify that they are connected correct and that the machine stops when the detection zone is interrupted.	<input type="checkbox"/> Pass <input type="checkbox"/> Fail	
If EDM is used check that the wiring are correct and fully functional.	<input type="checkbox"/> Pass <input type="checkbox"/> Fail	
Record the test result in the machine log, then perform the test procedure.	<input type="checkbox"/> Pass <input type="checkbox"/> Fail	

Date and Signature:

---

## 24 Test procedure log

Check point	Condition	Comments
Disable the guarded machine. Apply power to the Focus II system, check that LED 1 and 3 are lit on the receiver.	<input type="checkbox"/> Pass <input type="checkbox"/> Fail	
Visually inspect the machine to ensure that access to the hazardous area is only through the Focus II system.	<input type="checkbox"/> Pass <input type="checkbox"/> Fail	
Verify that the mounting distance of the Focus II system is equal to or greater than the minimum distance. See 3.3 or 3.4	<input type="checkbox"/> Pass <input type="checkbox"/> Fail	
Check for signs of damage in the Focus II system installation, the cables and wiring. If something are damaged, secure the machine and report.	<input type="checkbox"/> Pass <input type="checkbox"/> Fail	
Interrupt the Focus II system detection zone with the supplied test tool. See 16	<input type="checkbox"/> Pass <input type="checkbox"/> Fail	
Start the machine. Check that the machine stops when the test tool is inserted to the detection zone, and it is not possible to restart when the test tool is in the detection zone.	<input type="checkbox"/> Pass <input type="checkbox"/> Fail	
Verify that the safety system is stopping the machine fast enough otherwise adjust or increase the distance.	<input type="checkbox"/> Pass <input type="checkbox"/> Fail	
If the safety devices on the machine fails any of these tests, secure machine and report.	<input type="checkbox"/> Pass <input type="checkbox"/> Fail	

Date and Signature:

---

## 25 Declaration of conformity



### EC Declaration of conformity

(according to 2006/42/EC, Annex2A)

We ABB AB  
JOKAB Safety  
Varlabergsvägen 11  
SE-434 39 Kungsbacka  
Sweden

declare that the safety components of ABB make with type designations and safety functions as listed below, is in conformity with the Directives

2006/42/EC  
2004/108/EC

Authorised to compile the technical file

ABB AB  
JOKAB Safety  
Varlabergsvägen 11  
SE-434 39 Kungsbacka  
Sweden

#### Product

Light curtain (ESPE)  
Focus II, FII-4-14/30-zzzz

#### Certificate

Z10 12 09 49833 012

Light beam (ESPE)  
Focus II, FII-4-K4-zzzz  
Focus II, FII-4-K3-800  
Focus II, FII-4-K2-500  
Focus II, FII-4-K4-zzzz D  
Focus II, FII-4-K3-800 D  
Focus II, FII-4-K2-500 D  
Focus II, FII-4-K2C-zzzz  
Focus II, FII-4-K2C-800  
Focus II, FII-4-K1C-500

Z10 12 09 49833 013

Notified body

TÜV Süd Produkt Service GmbH  
Ridlerstrasse 65  
80349 München  
Germany

Notified body No. 0123

Used harmonized standards

EN ISO 12100-1:2010, EN ISO 13849-1:2008, EN 62061:2005,  
EN 60204-1:2007+A1:2009, EN 61496-1/AC:2010, EN 60664-1:2007,  
EN 61000-6-2:2005, EN 61000-6-4:2007

Other used standards

IEC 61496-2:2006, EN 61508-1:2001, EN 61508-2:2010, EN 61508-3:2010,  
EN 61508-4:2010



Jesper Kristensson  
PRU Manager  
Kungsbacka 2012-09-04

www.abb.com  
www.jokabsafety.com

Original

**ABB AB JOKAB SAFETY +46 (0) 21-32 50 00**

[www.abb.com/lowvoltage](http://www.abb.com/lowvoltage)

e-mail: [info.jokabsafety@se.abb.com](mailto:info.jokabsafety@se.abb.com)