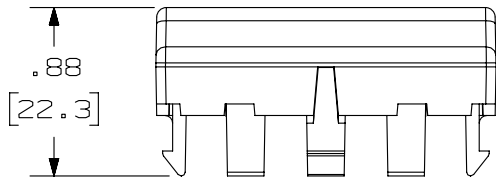
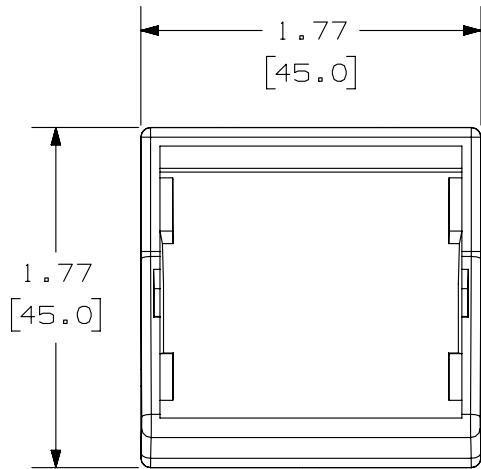


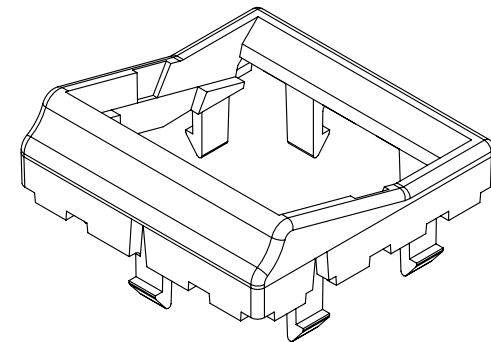
THIS COPY IS PROVIDED ON A RESTRICTED BASIS AND IS NOT TO BE USED IN ANY WAY DETRIMENTAL TO THE INTERESTS OF PANDUIT CORP.



PANDUIT PART NO.	WEIGHT
CBF**	.12 LB/10 PCS (55 G/10 PCS)

NOTES:

1. SEE CURRENT CATALOG FOR ADDITIONAL PART NUMBER SUFFIXES TO INDICATE COLOR AND OR PACKAGE QUANTITY.
2. ACCEPTS PANDUIT "1/2 SIZE" INSERTS.
3. FOR USE WITH STANDARD BEZELS AND TRUNKINGS WHICH ACCEPT 45X45mm FACEPLATES.
4. ALL DIMENSIONS IN [] ARE IN METRIC.



PART NUMBER		CBF**	
TITLE			
45mmX45mm FRENCH ADAPTER			
CUSTOMER DRAWING			
ITEM REVISION NAME		D35685BG/00	
DATASET FILE NAME		D35685BG_DC_CBF/00B	
UNLESS OTHERWISE SPECIFIED, DIMENSIONAL TOLERANCES ARE: IN [mm]		PANDUIT MATERIAL: ABS DRAWING NUMBER: 35685-02	
.x ± .1 [2.54] .xxx ± .005 [.127] .xx ± .01 [.25] ANGLES ± 5 °			
THIRD ANGLE PROJECTION			
DRAWN BY	DATE	CHK	SCALE
JBA	6-30-97	CEF	NONE
SHT 1 OF 1		A	

REV	DATE	BY	CHK	APR	DESCRIPTION	ECN
1	3/10/14	JSP	REFR	MMR	A. REVISED TITLE BLOCK.	35685-02
R	6-30-97	JBA	CEF	CEF	RELEASED TO PRODUCTION	35685-02

D10100DA/14