

NOTES:

RATED VOLTAGE: MAX. 63V AC/DC
 RATED CURRENT: MAX. 16A at 40°C (derating has to be considered)
 IP RATING: IP67 (mated and locked condition)
 TEMPERATURE RANGE: -25°C TO +85°C

CABLE PRINTING (sequence as shown below):

- MOLEX engineering no. (see page 2)
- MOLEX material no. (see page 2)
- MOLEX MAX. 63V AC/DC MAX. 16 A USR
- MOLEX AND DATE OF MANUFACTURING (YY=YEAR; WW=WEEK): MXYYWW
- Not for current interrupting
- PROFINET 24V Power 4x2,5 + FE

PART ACCORDING PRODUCT SPEC: 1205010169
 PACKAGING ACCORDING PACKAGING SPEC: 1201202000

TABLE 1

POS	DESCRIPTION	MATERIAL	FINISH
1	NUT M12 FE	BRASS	Ni
2	CONTACT 15 MA	BRASS	Au
3	CONTACT 15 FE	BRASS	Au
4	INSERT	PA	GREY
5	OVERMOLD	TPE	BLACK
6	CABLE 5x2.5 D11.3 WSOR	PUR	GREY
7	GASKET OR 8.2X1.25	FKM	BLACK
OPTIONAL 8	ID CARRIER	-	-

FUNCTIONAL SYMBOLS $\nabla_A = 0$ $\nabla_E = 0$ $\nabla_F = 0$ DIVISIONAL SYMBOLS	THIS DRAWING CONTAINS INFORMATION THAT IS PROPRIETARY TO MOLEX ELECTRONIC TECHNOLOGIES, LLC AND SHOULD NOT BE USED WITHOUT WRITTEN PERMISSION	EC NO: 735577 DRWN: MARUTD 2023/01/12 CHK'D: RSILLER 2023/01/19 APPR: RSILLER 2023/01/19							
	DIMENSION UNITS: mm SCALE: 2:1 GENERAL TOLERANCES (UNLESS SPECIFIED) ANGULAR TOL ± 1.0° 4 PLACES ± 3 PLACES ± 2 PLACES ± 0.05 1 PLACE ± 0.3 0 PLACES ± 0.5	CURRENT REV DESC: UPDATED ATTRIBUTE TO GENERAL MARKET IN ECTR INITIAL REVISION: DRWN: FDAFERNER 2020/01/27 APPR: RSILLER 2021/03/15					CSE M12 5P LC FE RA WSOR GY XM UNSH PRODUCT CUSTOMER DRAWING		
	DRAFT WHERE APPLICABLE MUST REMAIN WITHIN DIMENSIONS		THIRD ANGLE PROJECTION	DRAWING: A3-SIZE	SERIES: 120500	DOCUMENT NUMBER: 1205000207	DOC TYPE: PSD	DOC PART: 000	REVISION: A1
						MATERIAL NUMBER: SEE TABLE 2	CUSTOMER: GENERAL MARKET	SHEET NUMBER: 1 OF 2	

ENGINEERING NO - NUMERICAL CODE (Available parts see PART LIST table. Other parts available upon request).

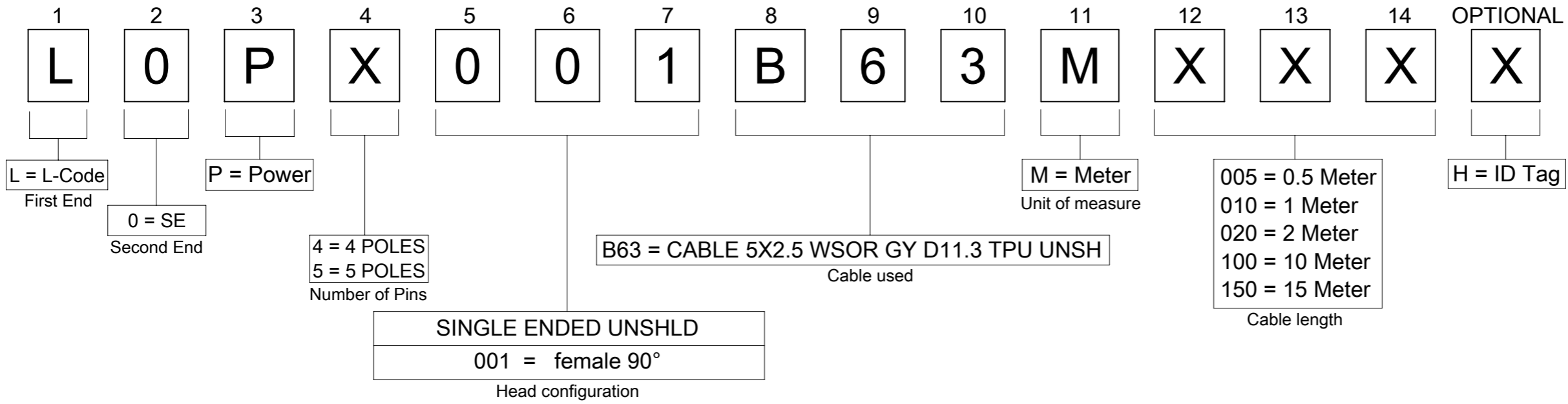


TABLE 2

NOMINAL SECTION 2,5mm ²			
MATERIAL NO.	ENGINEERING NO.	L [mm]	TOLERANCE [mm]
1205000207	L0P5001B63M010	1000	+40
1205000208	L0P5001B63M020	2000	+60
1205000209	L0P5001B63M030	3000	+60
1205000210	L0P5001B63M050	5000	+60
1205000211	L0P5001B63M100	10000	+80
1205000212	L0P5001B63M150	15000	+140
1205000213	L0P5001B63M200	20000	+140

FUNCTIONAL SYMBOLS	THIS DRAWING CONTAINS INFORMATION THAT IS PROPRIETARY TO MOLEX ELECTRONIC TECHNOLOGIES, LLC AND SHOULD NOT BE USED WITHOUT WRITTEN PERMISSION								
	DIMENSION UNITS	SCALE				CURRENT REV DESC: UPDATED ATTRIBUTE TO GENERAL MARKET IN ECTR			
$\nabla_A = 0$	mm	1:1	EC NO: 735577						
$\nabla_B = 0$	GENERAL TOLERANCES (UNLESS SPECIFIED)		DRWN: MARUTD 2023/01/12						
$\nabla_C = 0$	ANGULAR TOL ± 1.0°		CHK'D: RSILLER 2023/01/19						
DIVISIONAL SYMBOLS	4 PLACES	±	APPR: RSILLER 2023/01/19						
	3 PLACES	±	INITIAL REVISION:						
	2 PLACES	± 0.05	DRWN: FDAFERNER 2020/01/27						
	1 PLACE	± 0.3	APPR: RSILLER 2021/03/15						
0 PLACES	± 0.5	DOCUMENT NUMBER							
DRAFT WHERE APPLICABLE MUST REMAIN WITHIN DIMENSIONS		THIRD ANGLE PROJECTION	DRAWING	SERIES	MATERIAL NUMBER	CUSTOMER	DOC TYPE	DOC PART	REVISION
			A3-SIZE	120500	SEE TABLE 2	GENERAL MARKET	PSD	000	A1
									SHEET NUMBER
									2 OF 2