

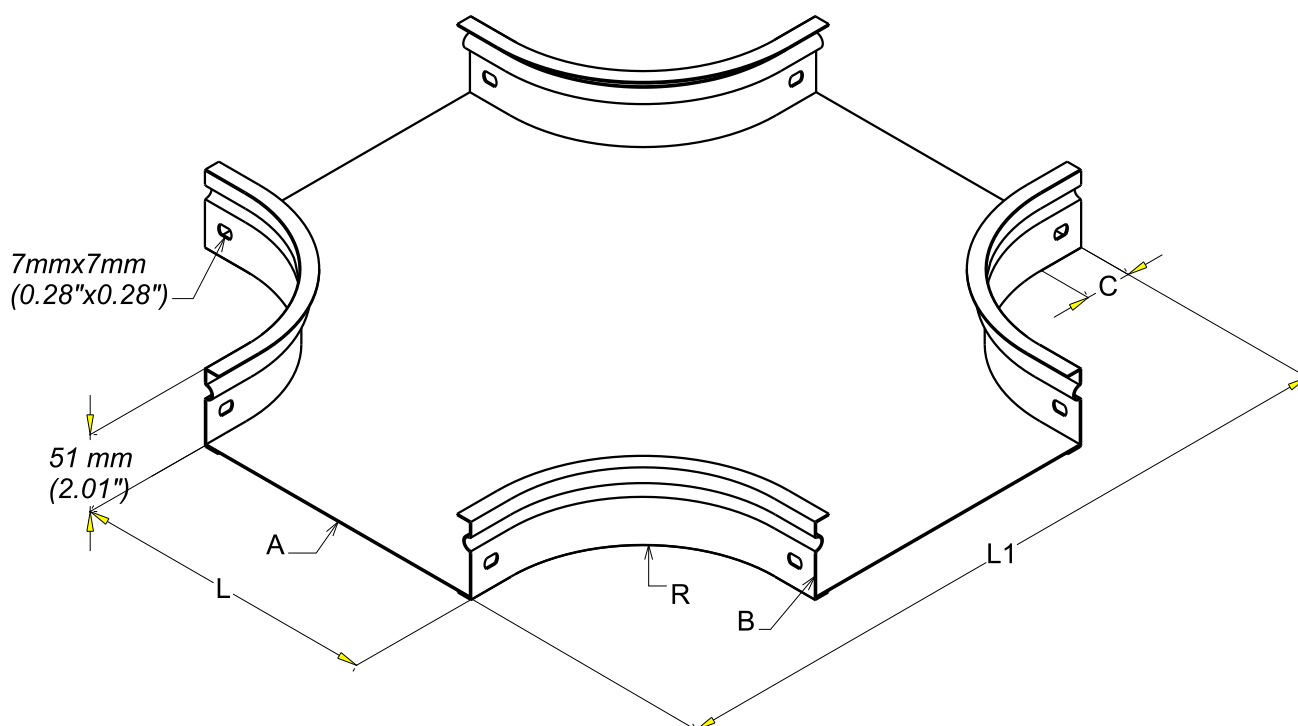
CROIX P31 X H50 50 à 600
CROSS P31 50x50 to 600

GS
PG

legrand | CABLE
MANAGEMENT

FT0529-0

10 16



REF	CODE	L /L (mm) (inch)	A /A (mm) (inch)	B /B (mm) (inch)	C /C (mm) (inch)	R /R (mm) (inch)	L1 /L1 (mm) (inch)
P31 X 50x50	341 133	50 (1.97")	0.8 (0.032")	1 (0.039")	30 (1.18")	20 (1.78")	148 (5.83")
P31 X 50x75	341 002	75 (2.92")	0.8 (0.032")	1 (0.039")	30 (1.18")	100 (3.94")	333 (13.11")
P31 X 50x100	341 134	100 (3.94")	0.8 (0.032")	1 (0.039")	30 (1.18")	100 (3.94")	358 (14.11")
P31 X 50x150	341 135	150 (5.91")	0.8 (0.032")	1 (0.039")	30 (1.18")	100 (3.94")	408 (16.08")
P31 X 50x200	341 136	200 (5.91")	0.8 (0.032")	1 (0.039")	30 (1.18")	100 (3.94")	458 (18.05")
P31 X 50x300	341 137	300 (7.87")	1 (0.039")	1 (0.039")	30 (1.18")	100 (3.94")	558 (21.99")
P31 X 50x400	341 138	400 (11.81")	1 (0.039")	1 (0.039")	50 (1.97")	150 (5.91")	798 (31.44")
P31 X 50x500	341 139	500 (19.69")	1 (0.039")	1 (0.039")	50 (1.97")	150 (5.91")	898 (35.38")
P31 X 50x600	341 140	600 (23.62")	1 (0.039")	1 (0.039")	50 (1.97")	150 (5.91")	998 (39.29")

Material	Standard
DX 51 D Z 200 MAC	EN 10 346

Propriété exclusive de LEGRAND, ne peut être ni copié, ni transmis à des tiers sans autorisation écrite.

Exclusive property of LEGRAND shouldn't be reproduced or transmitted to any people without written authorization