

Part number

# CJZA 8 I



CJZ connectors series, female-female RJ45 coupler, 8-way, in metal bulkhead mounting housing size "21.21", with 1 lever

Product description	
<b>Product type</b>	Data connector
<b>Series</b>	CJZ connectors
<b>Connection type</b>	RJ45
<b>Gender</b>	Female
<b>Size</b>	Size "21.21"
<b>Specification</b>	In metal enclosure 8 data contacts, Cat.5 Ethernet
Technical data	
<b>IP degree of protection</b>	IP66 / IP67
Further technical details	
<b>Weight</b>	54,00 g
<b>Operating temperature range (min, max)</b>	-40°C ... +120°C

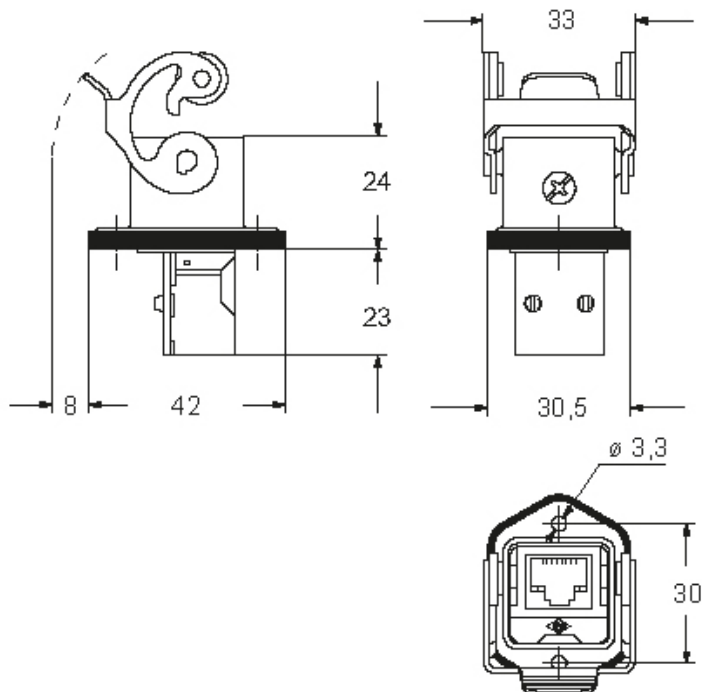
Material properties	
<b>Colour</b>	RAL 7040 grey
<b>RoHs conformity</b>	Compliant with exemption 6(c): copper alloy containing up to 4% lead by weight
<b>China RoHs - EFUP</b>	50
<b>REACH SVHC substances</b>	Yes Lead
<b>SCIP number</b>	07fb8783-8542-470e-90c3-3a9412d7ab25
Approvals / Standards	
<b>Certifications</b>	DNV
General ordering information	
<b>EAN13 code</b>	8015747175722
<b>eCl@ss 8.1</b>	19170125
<b>ETIM 7.0</b>	EC001121
Packaging Information	
<b>Sub-packaging weight</b>	0,27 kg
<b>Sub-packaging description</b>	Carton tray
<b>Sub-packaging quantity</b>	5 Pcs
<b>Sub-packaging EAN barcode</b>	8015747175753

Part number

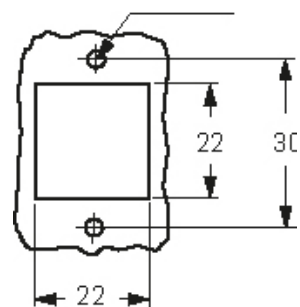
# CJZA 8 I



Catalogue drawings



Catalogue drawings



## Notes

Dimensions shown in mm are not binding and may be changed without notice.