

2

1

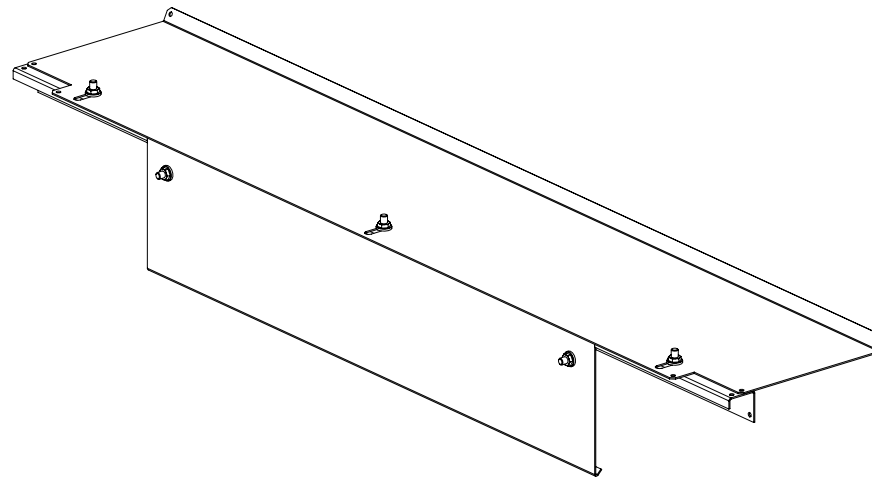
THIS COPY IS PROVIDED ON A RESTRICTED BASIS AND IS NOT TO BE USED IN ANY WAY DETRIMENTAL TO THE INTERESTS OF PANDUIT CORP.

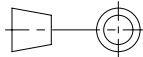
PANDUIT P/N	DESCRIPTION	WEIGHT
CUSRWSK06**	NET-CONTAIN USRC-WALL BEAM-TO-WALL SEAL KIT 600mm	1.23 Kg (2.7 LBS)
CUSRWSK07**	NET-CONTAIN USRC-WALL BEAM-TO-WALL SEAL KIT 700mm	1.48 Kg (3.3 LBS)
CUSRWSK08**	NET-CONTAIN USRC-WALL BEAM-TO-WALL SEAL KIT 800mm	1.73 Kg (3.8 LBS)
CUSRWSK24**	NET-CONTAIN USRC-WALL BEAM-TO-WALL SEAL KIT 2400mm	5.69 Kg (12.5 LBS)

\*\* DENOTES COLOR - ADD SUFFIX:  
"B1" FOR BLACK AND "W1" FOR WHITE

NOTES:

- VISIT OUR ONLINE CATALOG AT [WWW.PANDUIT.COM](http://WWW.PANDUIT.COM) FOR A LIST OF CURRENT PARTS APPLICABLE FOR USE WITH THIS PRODUCT.
- PARTS SUPPLIED:
  - 1 - BEAM SEAL BRACKET
  - 1 - BEAM SEAL BRACKET HARDWARE KIT
  - 1 - BEAM CLAMP LONG
  - 1 - INSTRUCTION SHEET
- PRIMARY DIMENSIONS ARE IN MILLIMETERS.



REV	DATE	BY	CHK	APR	DESCRIPTION	ECN	TITLE					
							NET-CONTAIN USRC WALL SEAL FINISHED GOOD (CUSRWSK****) CUSTOMER DRAWING					
							ITEM REVISION NAME 14V467NE/00		<b>PANDUIT</b>			
						DATASET FILE NAME 14V467NE/DC_00A						
									MATERIAL: N/A			
									DRAWING NUMBER: 14V467NE-DC			
00A	11/25/15	MEX-JAGC			RELEASED TO PRODUCTION	V09000PB			THIRD ANGLE PROJECTION			
REV	DATE	BY	CHK	APR	DESCRIPTION	ECN	DRAWN BY MEX-JAGC	DATE 11/25/15	CHK	SCALE NONE	DRAWING NUMBER: SHT 1 OF 2	SIZE A

2

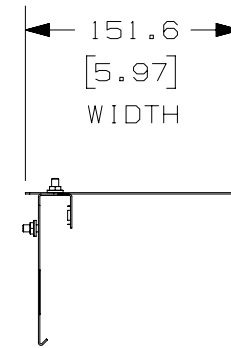
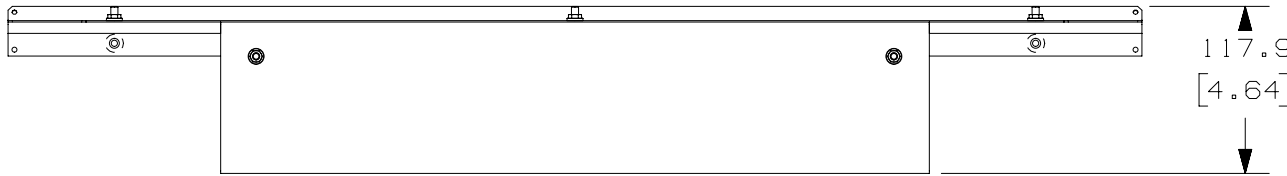
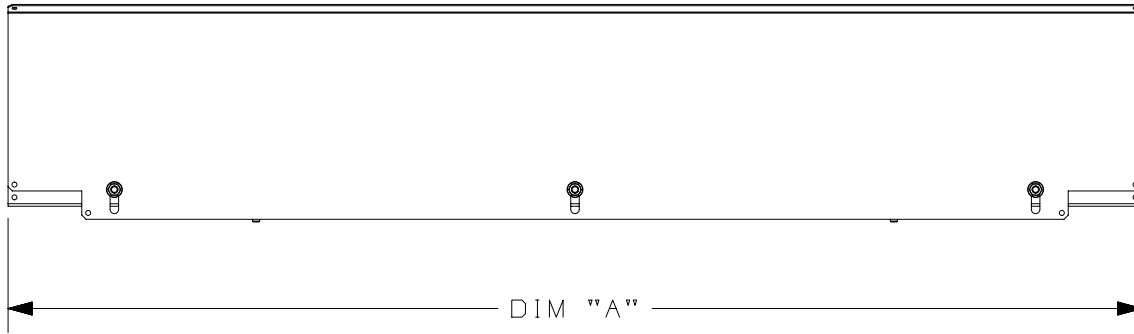
1

D110100DA/16

THIS COPY IS PROVIDED ON A RESTRICTED BASIS AND IS NOT TO BE USED IN ANY WAY DETRIMENTAL TO THE INTERESTS OF PANDUIT CORP.

PANDUIT P/N	DIM "A"
CUSRWSK06**	600.0 (23.62)
CUSRWSK07**	700.0 (27.56)
CUSRWSK08**	800.0 (31.50)
CUSRWSK24**	2400.0 (94.49)

\*\* DENOTES COLOR - ADD SUFFIX:  
"B1" FOR BLACK AND "W1" FOR WHITE



TITLE		NET-CONTAIN USRC WALL SEAL FINISHED GOOD (CUSRWSK****) CUSTOMER DRAWING		
ITEM REVISION NAME		14V467NE/00		<b>PANDUIT</b>
DATASET FILE NAME		14V467NE/DC_00A		
		MATERIAL:		N/A
		DRAWING NUMBER:		14V467NE-DC
DRAWN BY MEX-JAGC		DATE 11/25/15	CHK	SCALE NONE
THIRD ANGLE PROJECTION		SHT 2 OF 2		
REV		DATE	BY	CHK
DESCRIPTION		ECN		SIZE

00A	11/25/15	MEX-JAGC			RELEASED TO PRODUCTION	V09000PB
REV	DATE	BY	CHK	APR	DESCRIPTION	ECN

D10100DA/16