

Part number

ATR C22



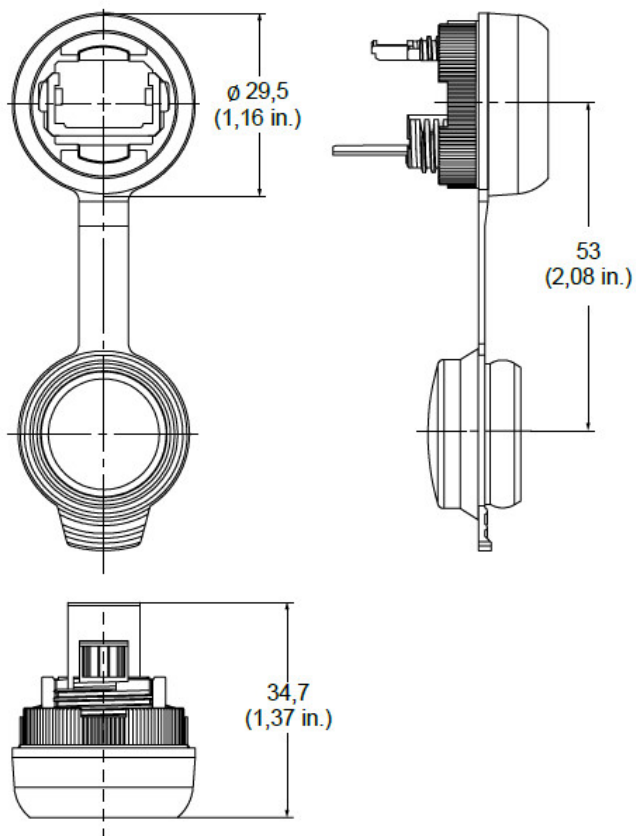
Cover for RJ45/USB/LC connectors, for boxes
for unit Ø 22 mm

Product description		General ordering information	
Product type	Cover for RJ45/USB/LC connectors	EAN13 code	8015747226394
Specification	For boxes for unit Ø 22 mm	eCl@ss 8.1	27449290
Technical data		ETIM 7.0	EC002943
IP degree of protection	IP65	Packaging Information	
Further technical details		Sub-packaging description	Plastic bag
Weight	11,90 g	Sub-packaging quantity	1 Pcs
Operating temperature range (min, max)	-40°C...+70°C	Sub-packaging EAN barcode	8015747226714
UL 94 flammability rating	V-0		

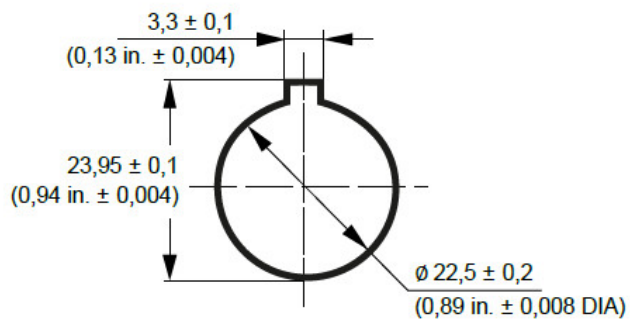
Part number
ATR C22



Catalogue drawings



Catalogue drawings



Notes

Dimensions shown in mm are not binding and may be changed without notice.