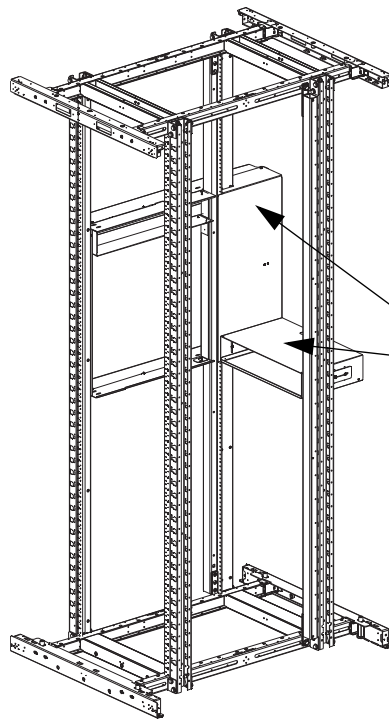


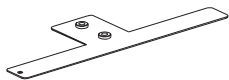
Rear of Cabinet
(Hot Aisle)

For a Net-Access N-Type
1070 Depth Switch Cabinet
(N**1*)

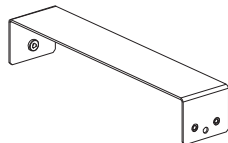


7009 & 9513 Exhaust Duct

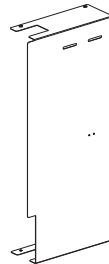
Front of Cabinet
(Cold Aisle)



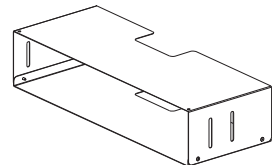
Slider Plate (2)
(ONLY WITH
DERLCC9513A)



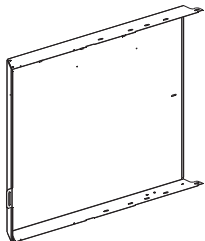
Horizontal
Stiffener



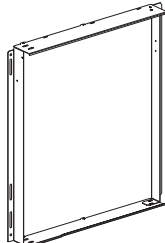
Inner
Cover



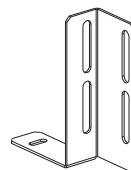
Power
Duct



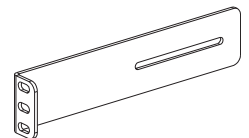
Outer
Cover



Inner
Frame



Corner
Bracket




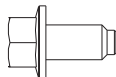

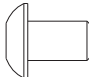
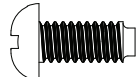
Power
Duct
Bracket

Table of Contents

	Page #
Equipment Rail Spacing.....	3
Preparing Outer Duct for Installation.....	4
Attaching Horizontal Stiffener.....	5
Day 1 Side Duct Installation	
Installing Frame.....	6
Installing Outer Cover.....	7
Day 2 Side Duct Installation	
Installing Frame.....	8
Installing Outer Cover.....	9
Attaching Corner Bracket.....	10
Attaching Slider Plates.....	11
Attaching Inner Cover.....	12
Cover Opening with Tape.....	13
Locating Power Duct.....	14
Installing Power Duct Mounting Bracket.....	15
Installing Power Duct.....	16

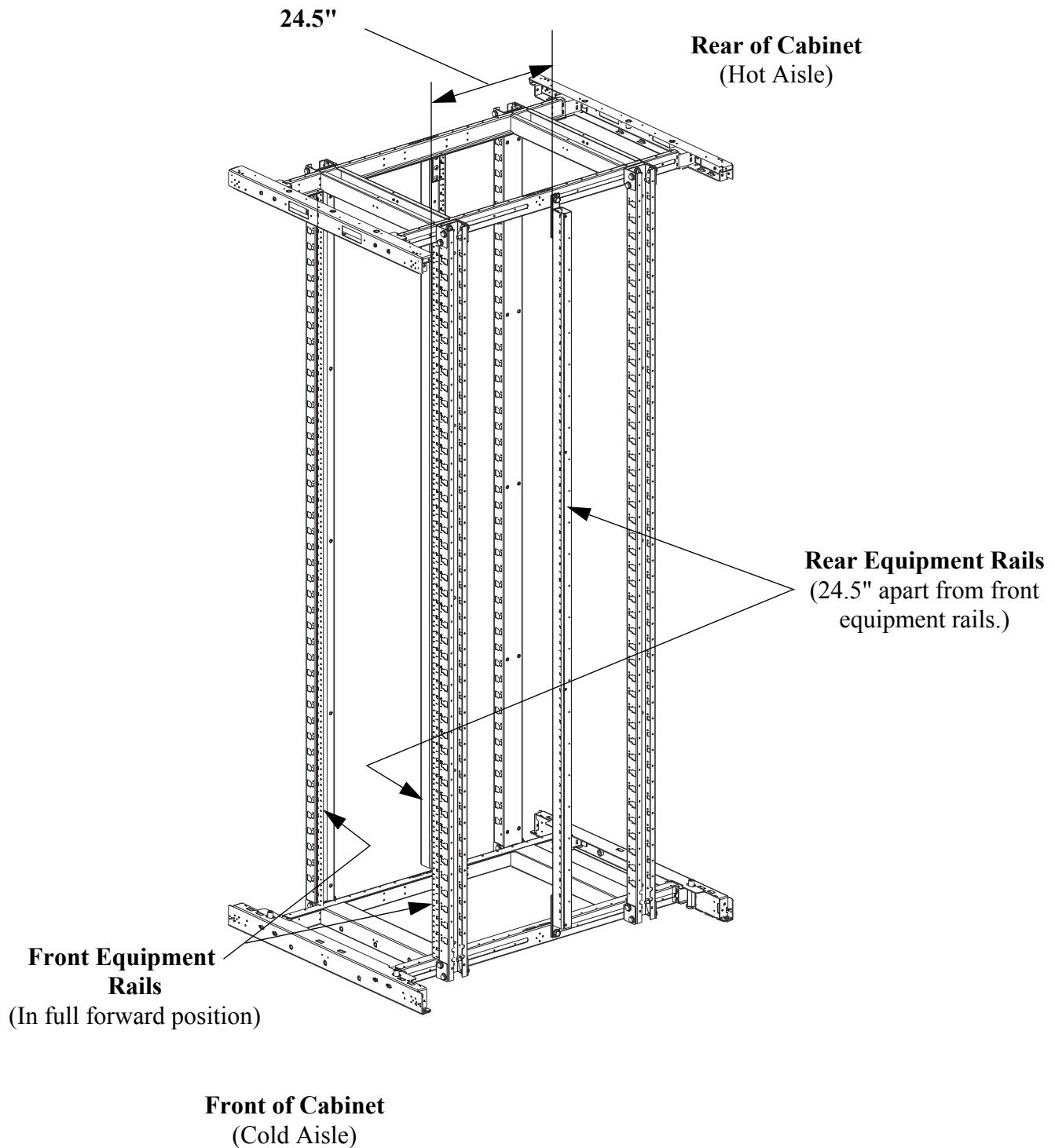
Tools Needed:

- Socket Wrench
- M5 Socket
- Phillips Head Screw Driver

				
M5 Nut	M5 X 10mm Hex Head Screw	M3 X 8mm Pan Head Screw	M5 X 8mm Button Head Screw	#12-24 X 1/2" Round Head Screw

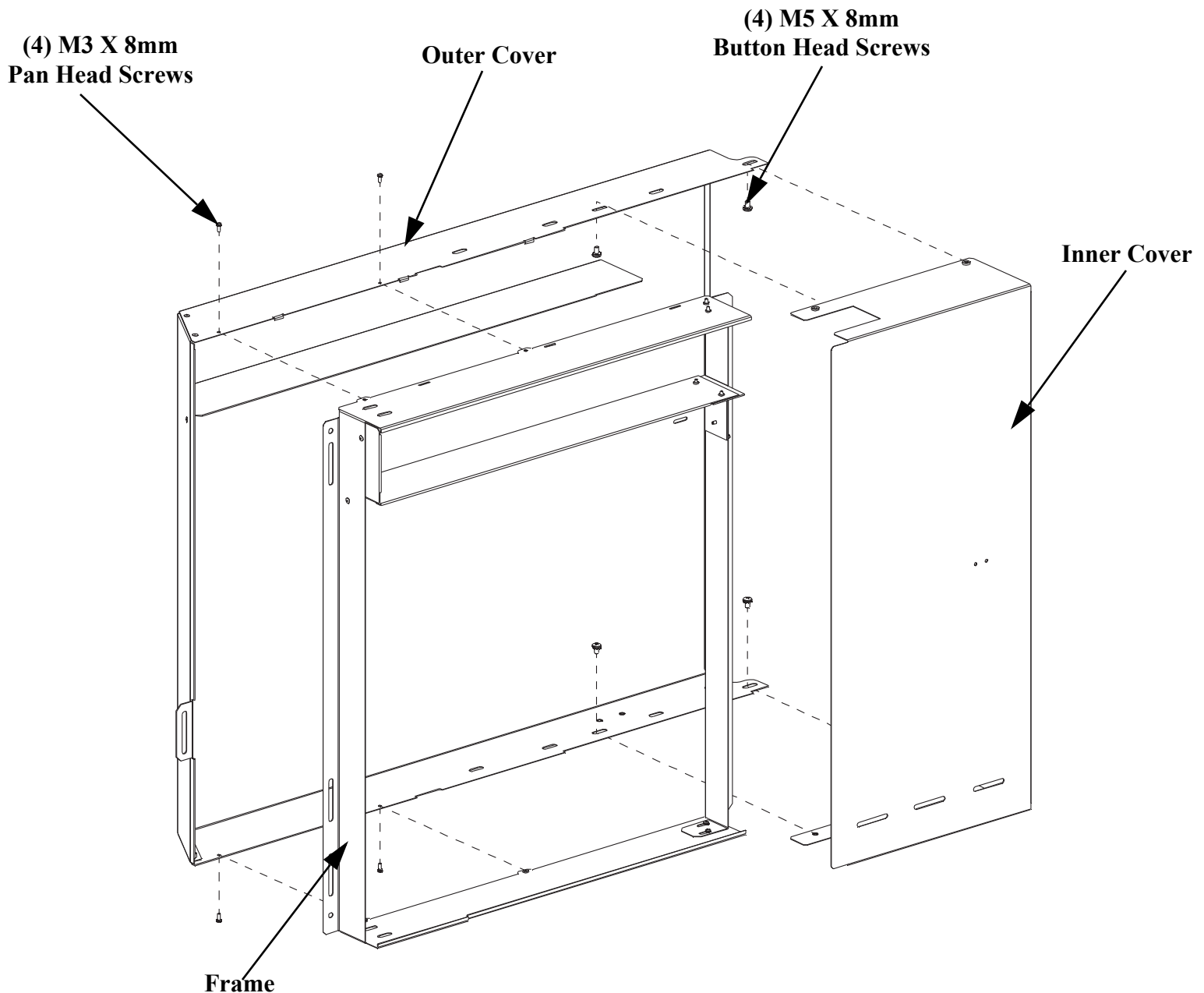
Equipment Rail Spacing

- Front equipment should be in the complete forward position.
- Front and back equipment rail spacing must be 24.5" apart.



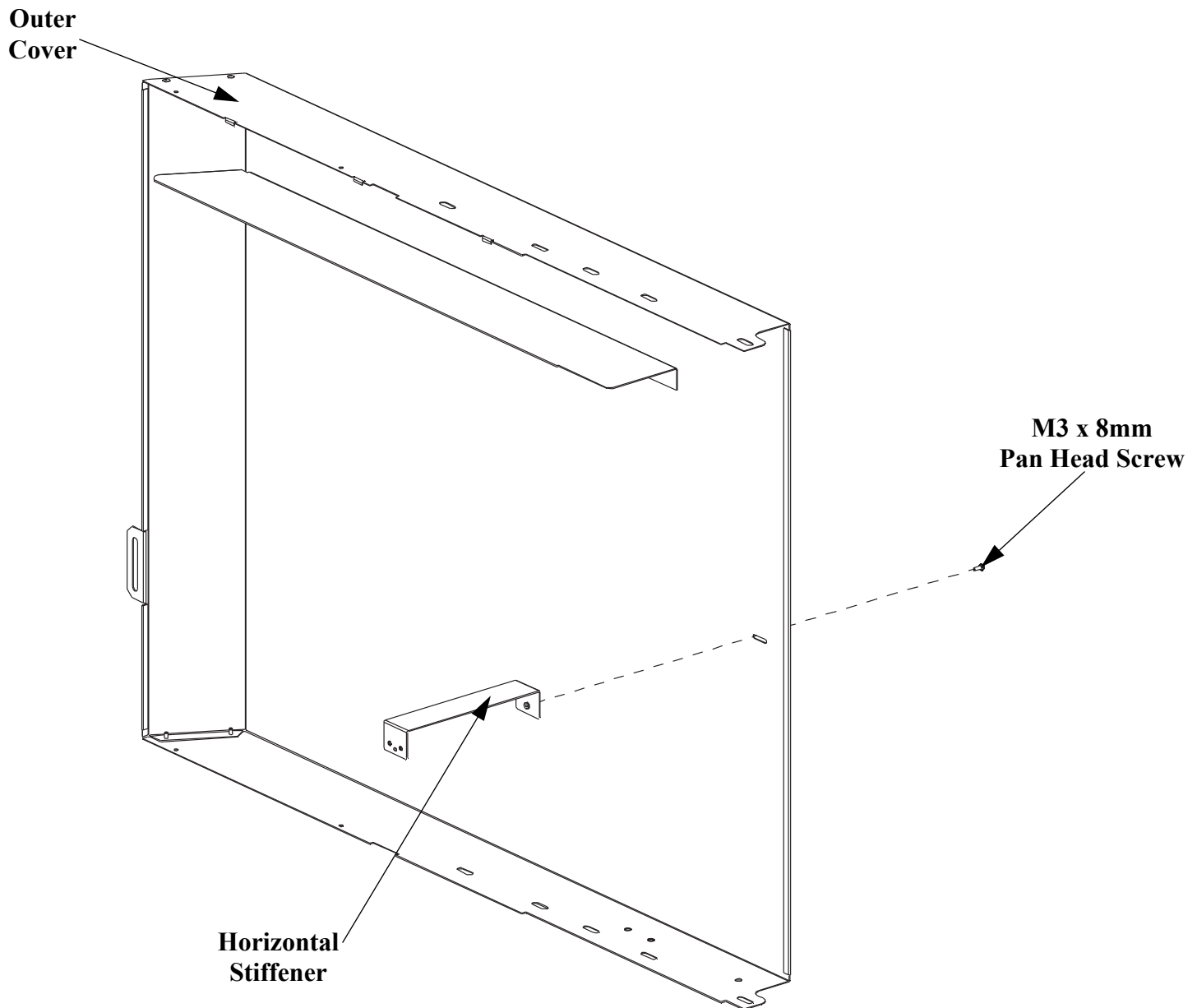
Preparing Side Duct for Installation

- Unscrew (8) M5 x 8mm button head screws rear cover. (Screws will be used later in installation.)
- Separate rear cover from outer cover.
- Unscrew (4) M3 x 8mm pan head screws from outer cover. (Screws will be used later in installation.)
- Separate outer cover from frame.



Attaching Horizontal Stiffener

- Attach horizontal stiffener to outer cover with (1) M3 x 8mm pan head screw.

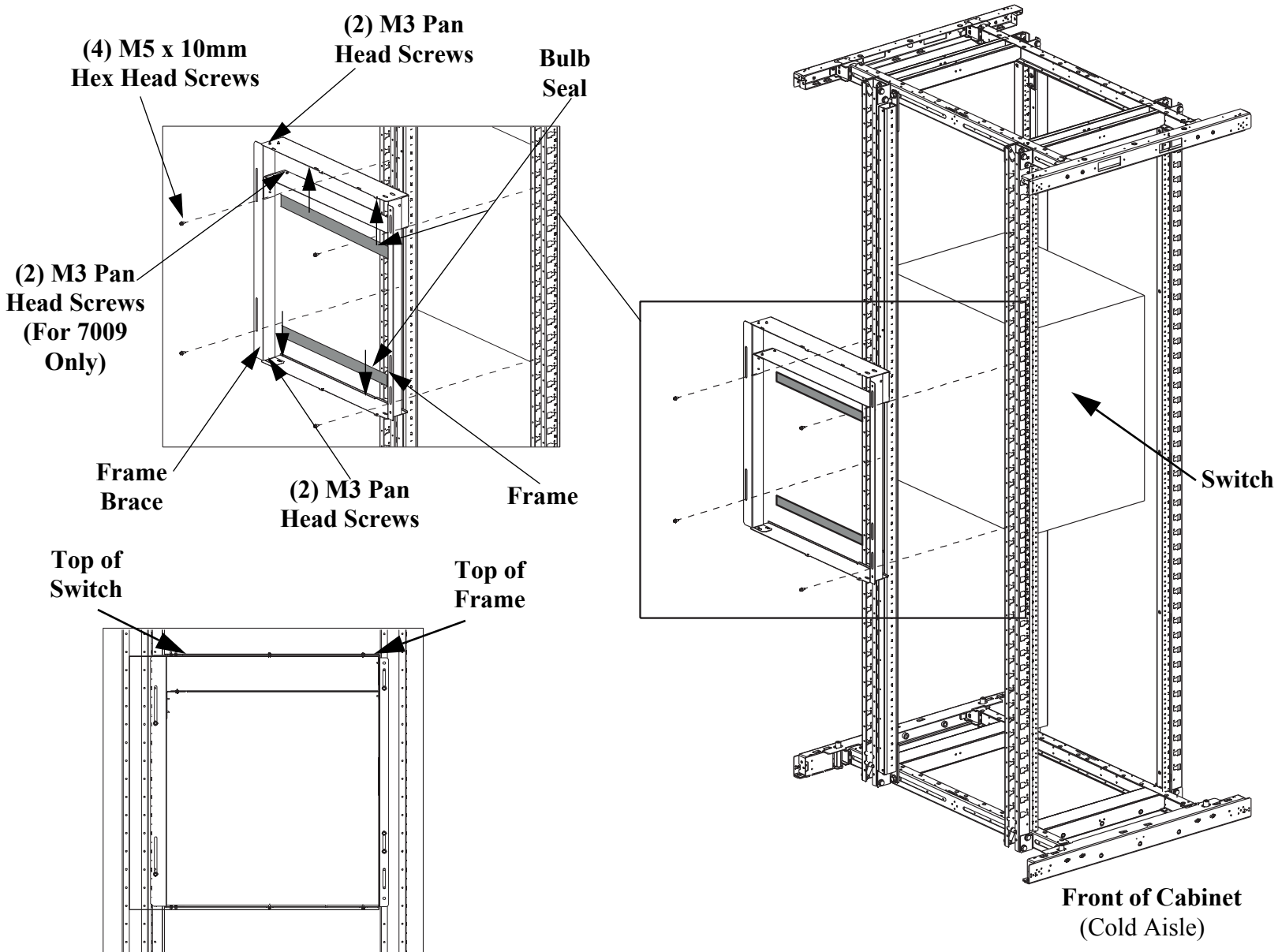


DAY 1 SIDE DUCT INSTALLATION

Installing Frame

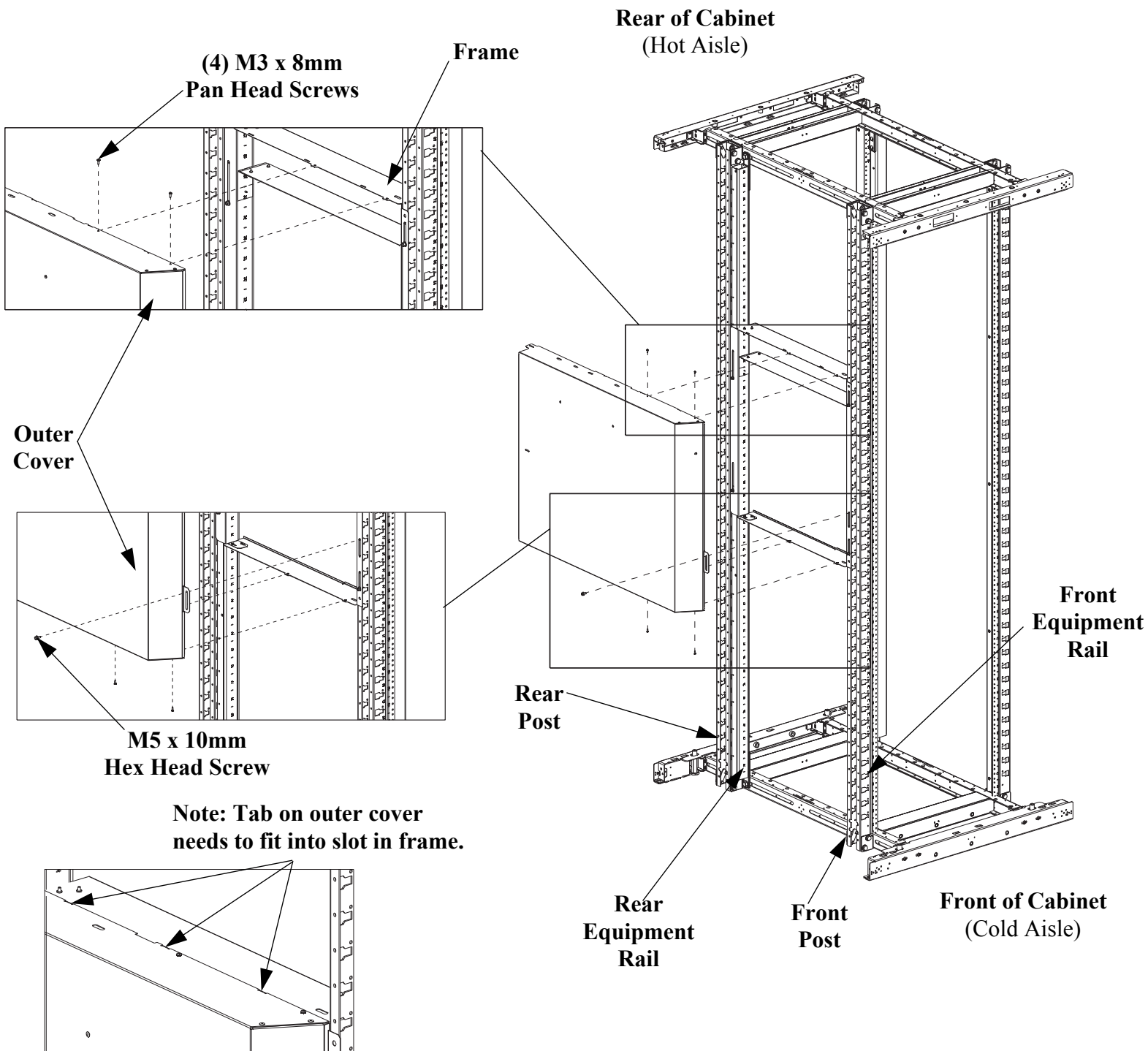
- Align top of side duct frame with top of switch.
- Fasten duct frame to the cabinet front post with (2) M5 x 10mm hex head screws. **(Only use the slots on the top and bottom on the front of the frame. Middle slot will be used with outer cover.)**
- Loosen (4) M3 pan head screws ((6) M3 pan head screws for 7009.) on the frame brace. Adjust frame brace to align with cabinet rear equipment rail. Secure frame brace to cabinet rear equipment rail with (2) M5 x 10mm hex head screws. Fasten (4) M3 pan head screws.
- **NOTE: If, when attaching frame, there is an opening between the frame and switch cut and attach bulb seal along edge of frame as shown.**

Rear of Cabinet
(Hot Aisle)



Installing Outer Cover

- Attach outer cover to frame by sliding the tabs on the outer cover into the slots in the frame.
- Fasten outer cover to the frame with (4) M3 x 8mm pan head screws.
- Attach outer cover to cabinet front post with (1) M5 x 10mm hex head screw.
- (After this page skip to page 10 for rest of installation)

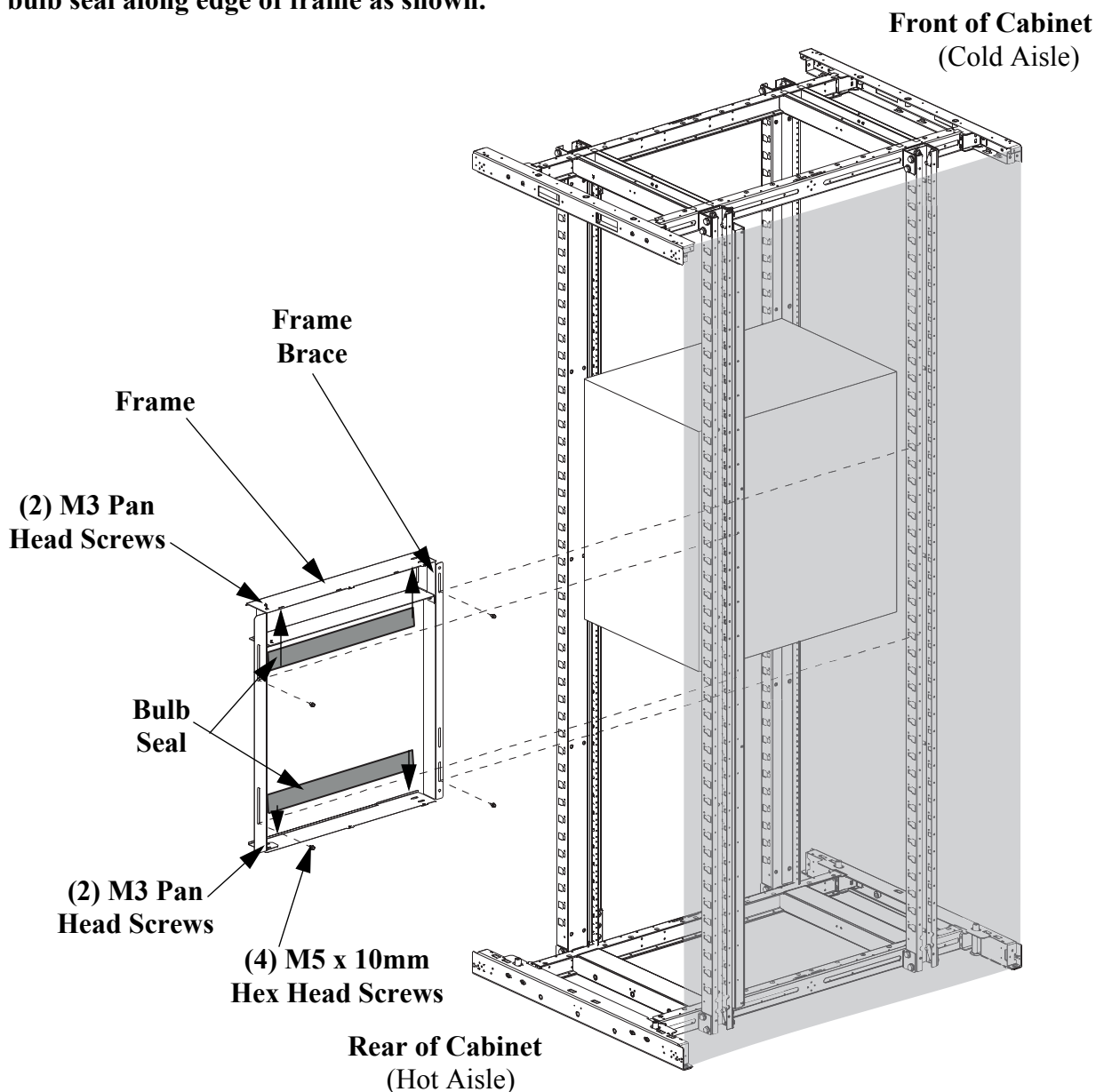


DAY 2

SIDE DUCT INSTALLATION

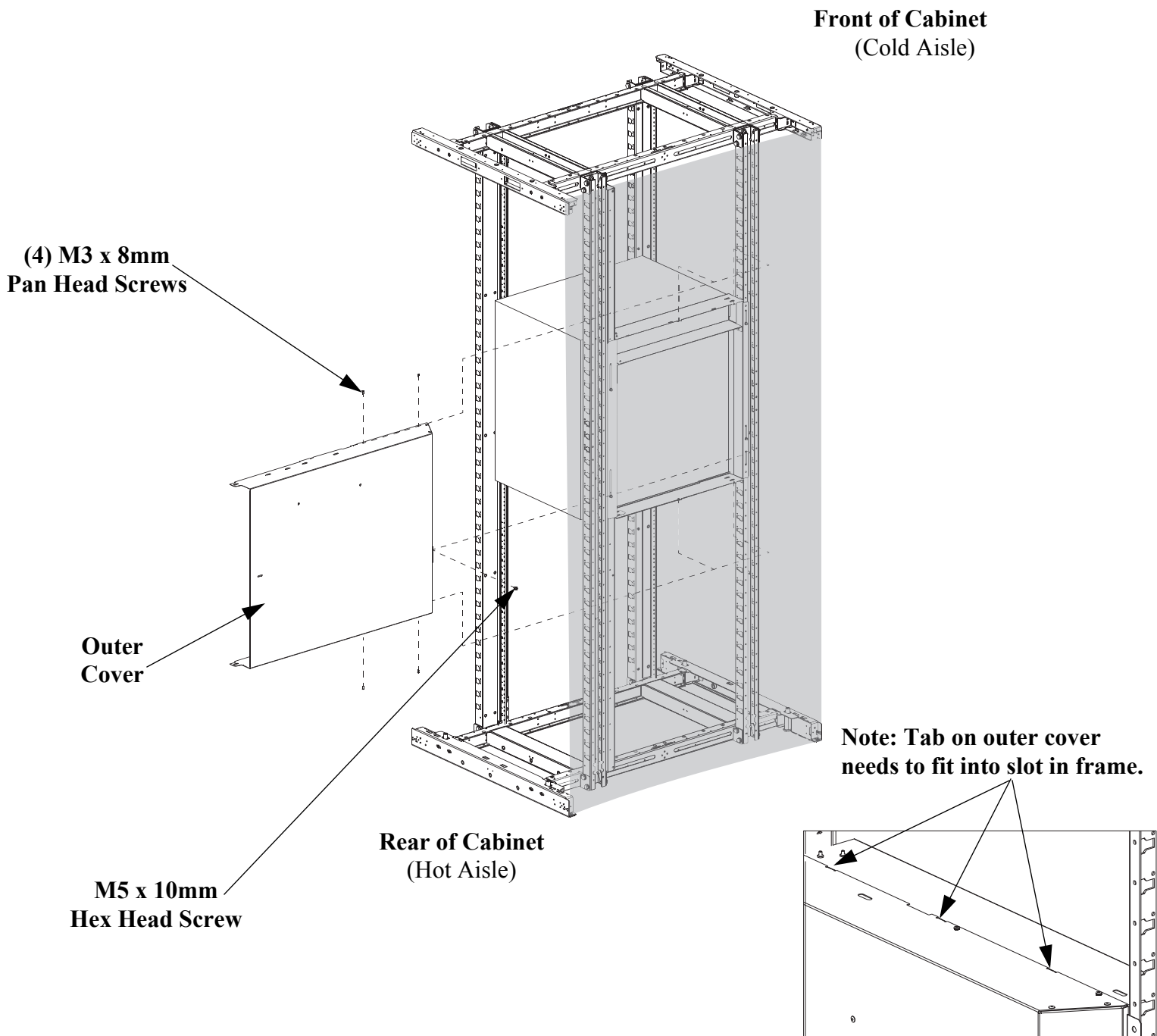
Installing Frame

- Slide frame into cabinet from the rear of the cabinet.
- Align top of side duct frame with top of switch.
- Fasten duct frame to the cabinet front post with (2) M5 x 10mm hex head screws. **(Only use the slots on the top and bottom on the front of the frame. Middle slot will be used with outer cover.)**
- Loosen (4) M3 pan head screws on the frame brace. Adjust frame brace to align with cabinet rear equipment rail. Secure frame brace to cabinet rear equipment rail with (2) M5 x 10mm hex head screws. Fasten (4) M3 pan head screws.
- **NOTE: If, when attaching frame, there is an opening between the frame and switch cut and attach bulb seal along edge of frame as shown.**



Installing Outer Cover

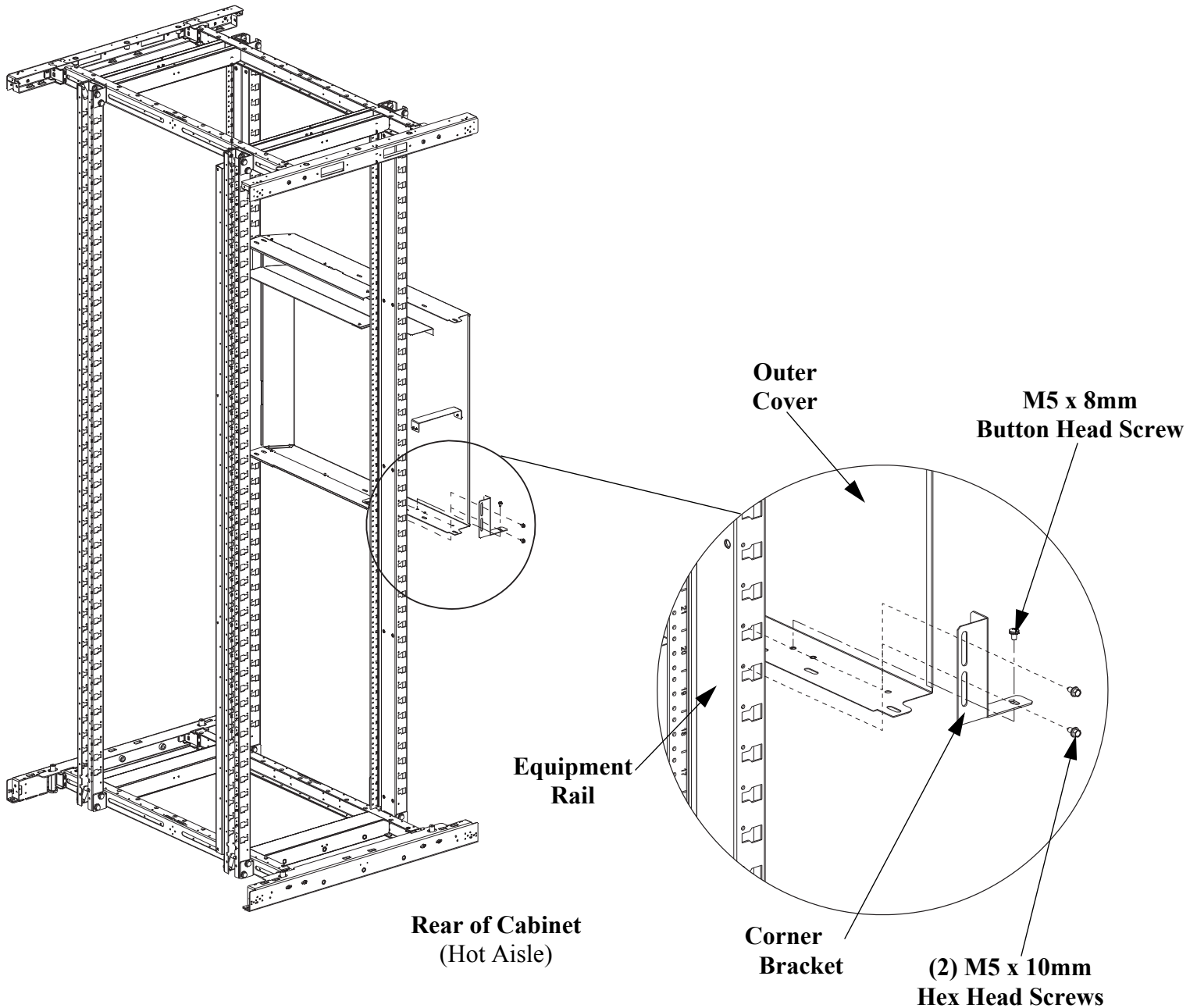
- Slide outer cover into cabinet from the rear of the cabinet.
- Attach outer cover to frame by sliding the tab on the outer cover into the slot in the frame.
- Fasten outer cover to the frame with (4) M3 x 8mm pan head screws.
- Attach outer cover to cabinet front post with (1) M5 x 10mm hex head screw.



Attaching Corner Bracket

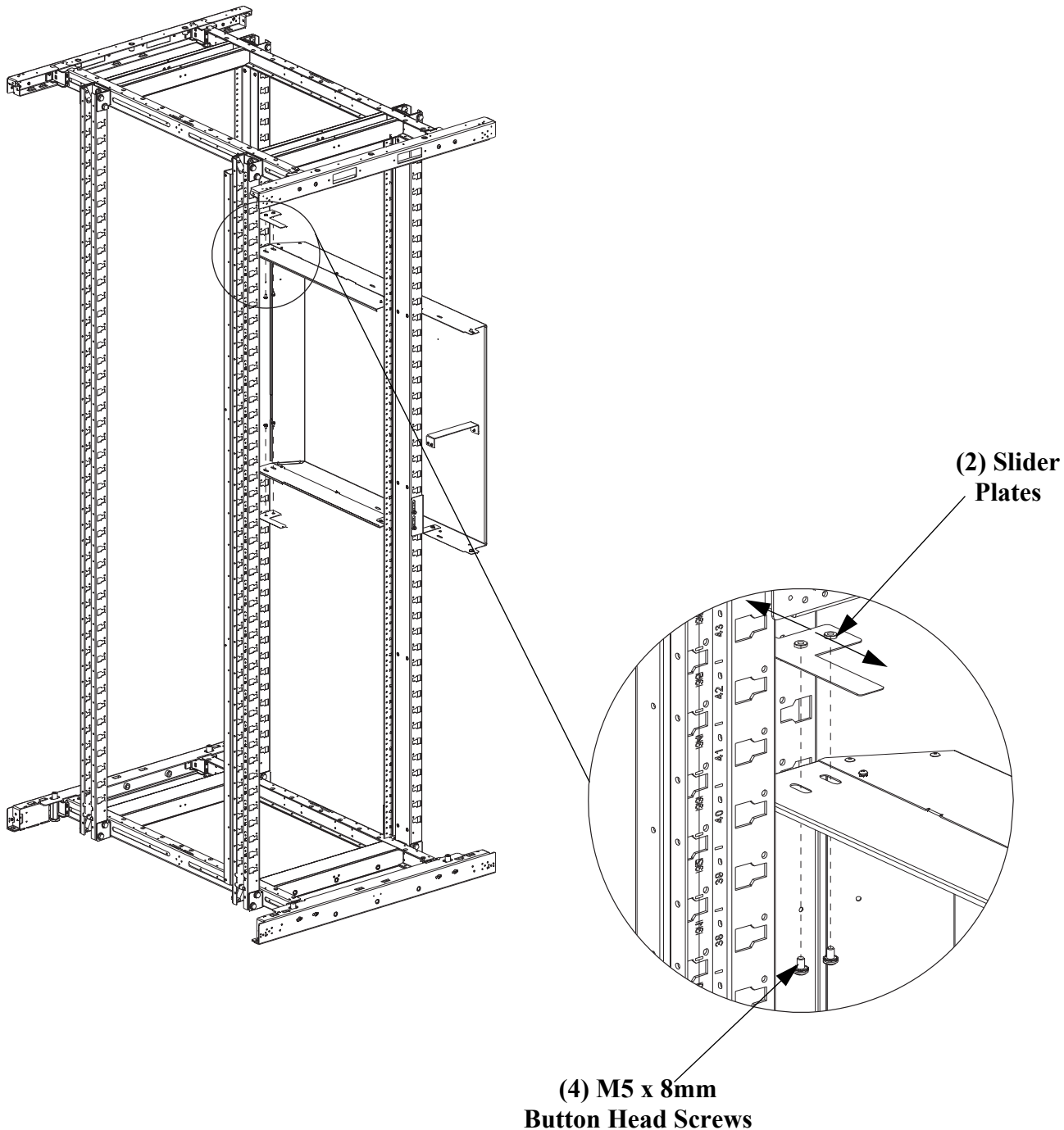
- Attach corner bracket to outer cover with (1) M5 x 8mm button head screw.
- Fasten corner bracket to cabinet equipment rail with (2) M5 x 10mm hex head screws. (Adjust corner bracket if needed.)

Front of Cabinet (Cold Aisle)



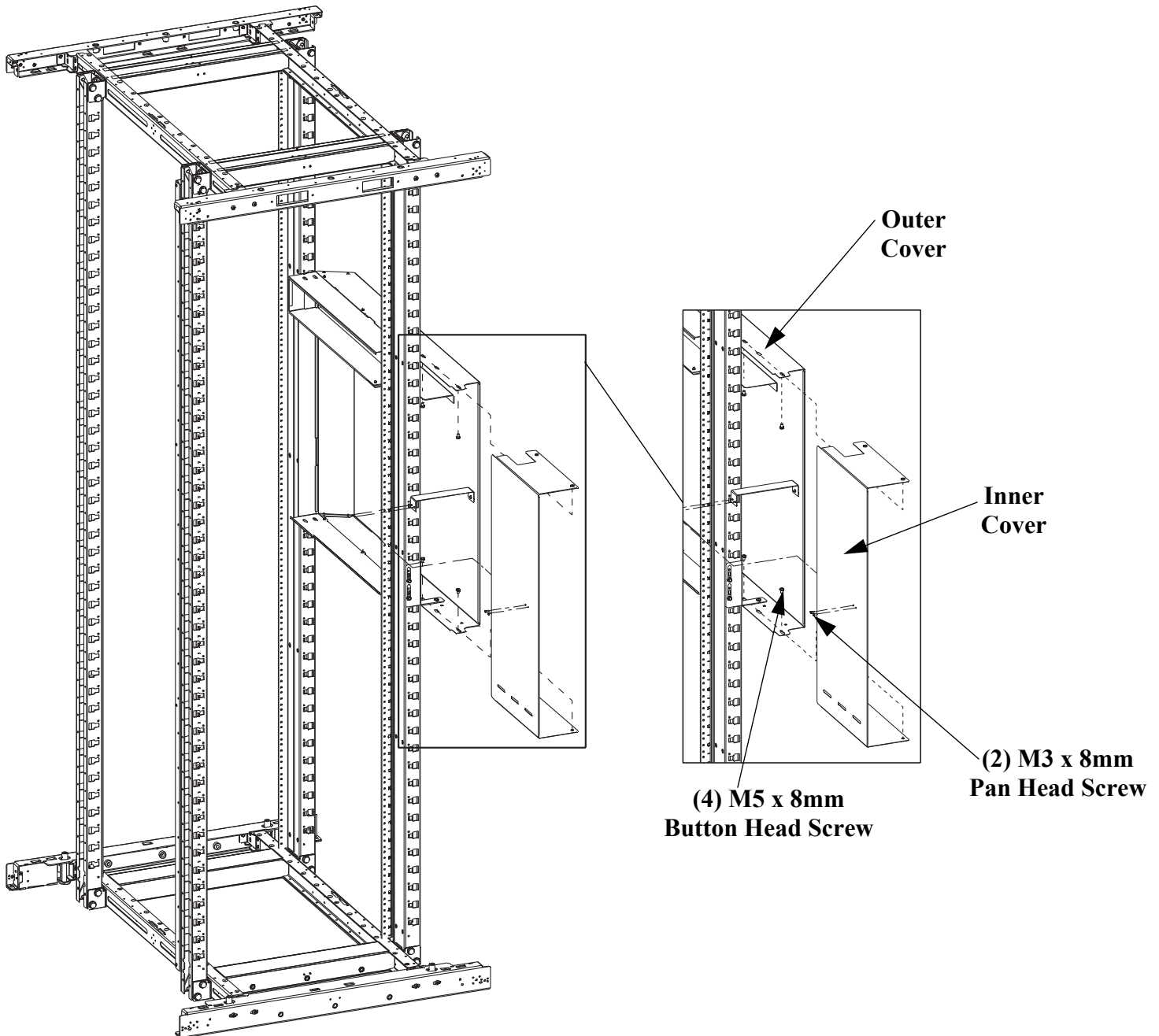
Attaching Slider Plates (For 9513 Switch Only)

- Attach (1) slider plates to the top of the inner cover and (1) slider plates to the bottom of the inner cover with (4) M5 x 8mm button head screws. (Do not tighten screws.)
- Slide slider plates into place to cover any opening by equipment rails and tighten screws.



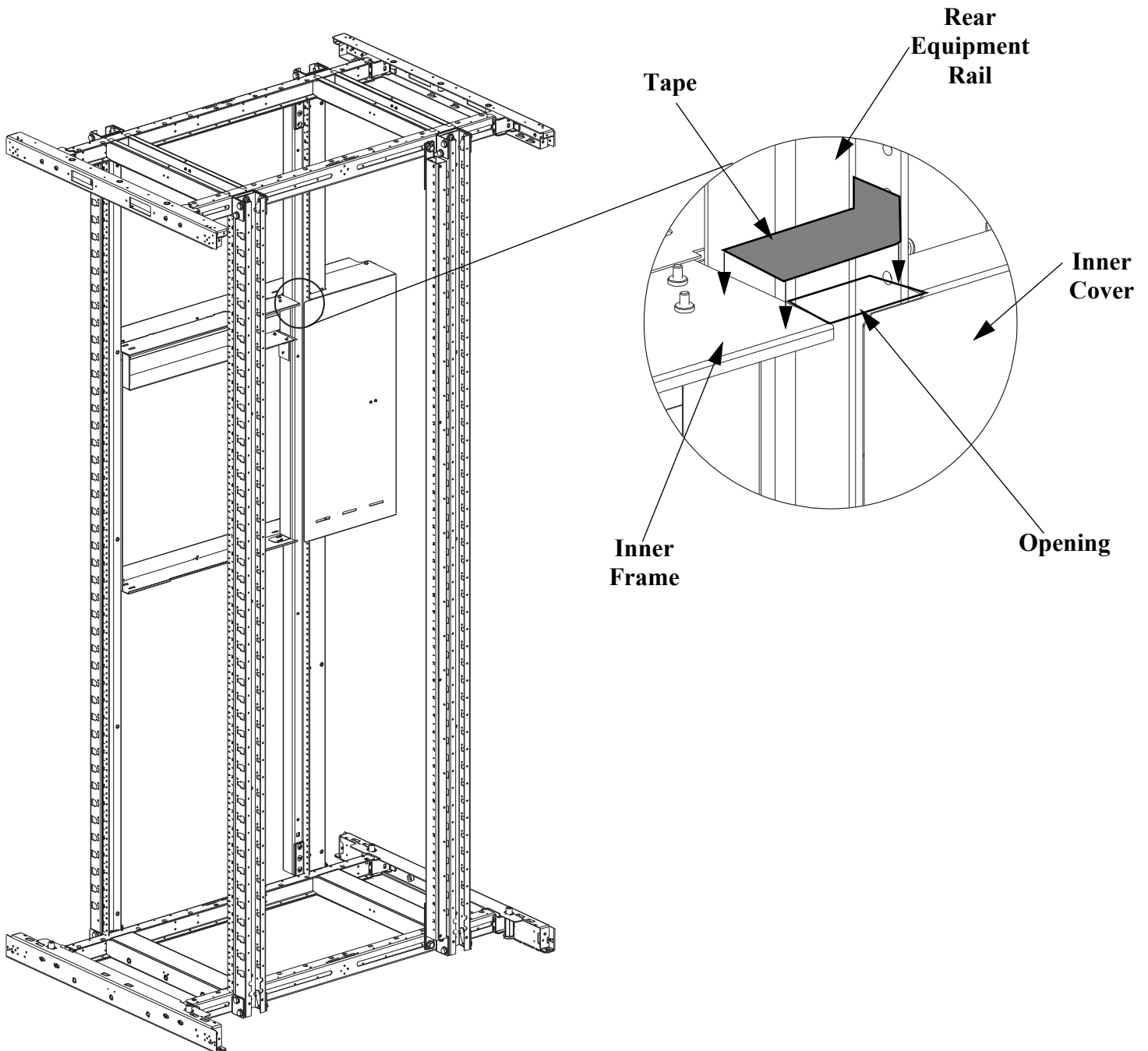
Attaching Inner Cover

- Attach inner cover to outer cover with (4) M5 x 8mm button head screws. (Do not tighten screws.)
- Slide inner cover all the way toward the front of the cabinet. Tighten screws.
- Fasten inner cover to horizontal stiffener with (2) M3 x 8mm pan head screws.
- **Note: Inner cover slides over outer cover.**



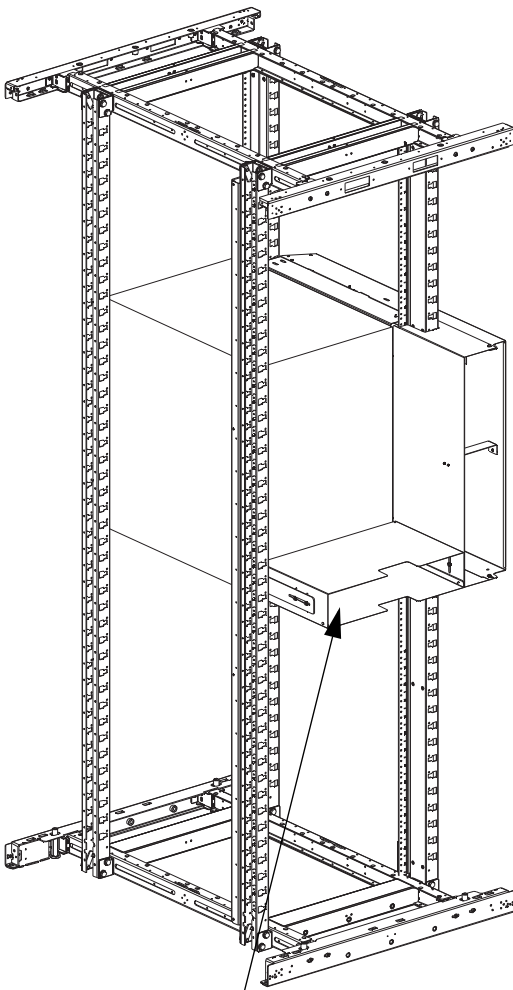
Cover Opening with Tape

- Cut a piece of tape, that was provided, to the size of the opening between the inner frame and rear equipment rail.
- Apply tape to opening creating a seal.
- NOTE: Cut and apply tape to any other existing openings as needed.



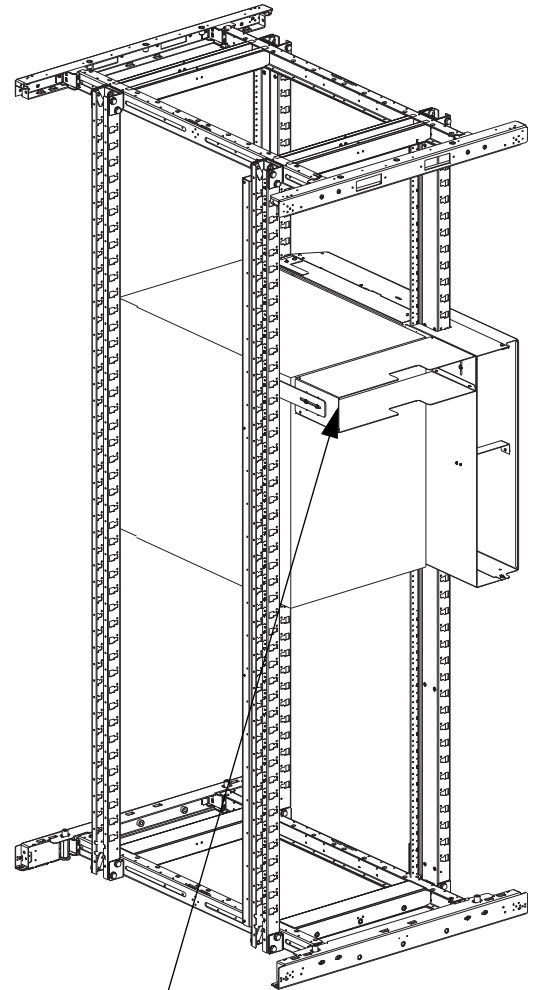
Locating Power Duct

- The Cisco 9513 switch require the power duct to be located in the top mounting position.
- The Cisco 7009 switch requires the power duct to be mounted in the bottom mounting position.



**Power Ducting Mounted
At Bottom Of Switch**

**Power Ducting Configuration for
Cisco 7009 Switch**

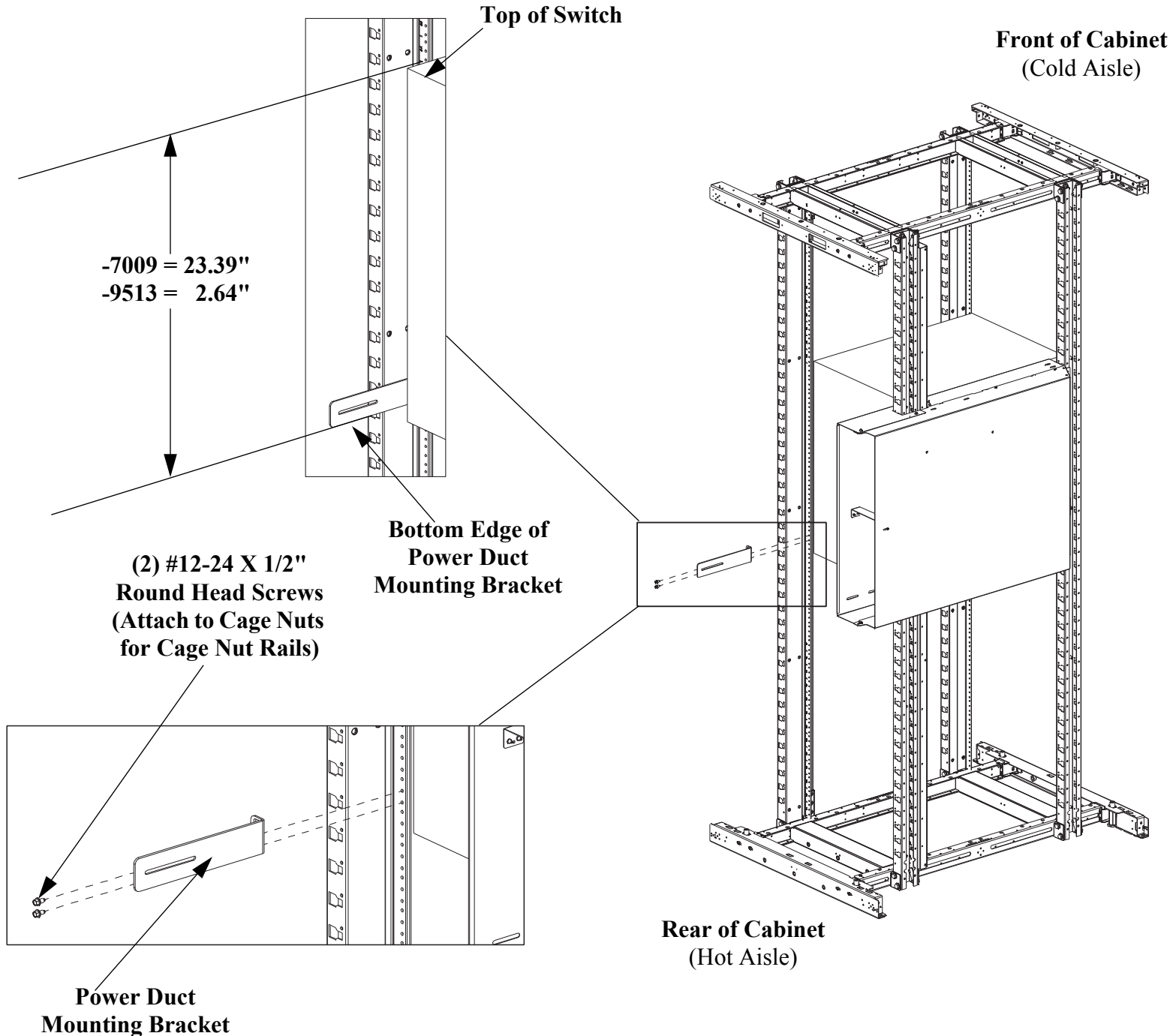


**Power Ducting Mounted
At Top Of Switch**

**Power Ducting Configuration for
Cisco 9513 Switch**

Locating and Installing Power Duct Mounting Bracket

- To locate power duct mounting bracket measure distance from top of switch to the bottom edge of the power duct mounting bracket.
- The location of the power duct mounting bracket for each switch is as follows:
 - 7009 = 23.39"
 - 9513 = 2.64"
- Attach power duct mounting bracket to the equipment rail with (2) #12-24 X 1/2" round head screws.
- NOTE: Install (2) cage nuts into rail for cage nut rails prior to power duct mounting bracket installation.**



Installing Power Duct

- Slide the power duct into place on the power duct mounting bracket until it is against the switch.
- Secure the power duct to the power duct mounting bracket and inner cover with (5) M5 x 8mm button head screws and (5) M5 nuts.
- **NOTE: Visually level duct and verify that the duct aligns with switch exhaust opening.**

Front of Cabinet
(Cold Aisle)

(5) M5 x 8mm
Button Head Screw

(5) M5 Nuts

Rear of Cabinet
(Hot Aisle)

For Instructions in Local Languages
and Technical Support:
www.panduit.com/resources/install_maintain.asp

PANDUIT
www.panduit.com

E-mail:
techsupport@panduit.com
Phone:
866-405-6654