

Part number

CX 50 RF



Female crimp coaxial contact, CX R series, 50 Ohm

Product description

| | |
|----------------------|-----------------------|
| Product type | Crimp coaxial contact |
| Series | CX R |
| Gender | Female |
| Specification | 50 Ohm |

Technical data

| | |
|----------------|------|
| Current | 1 A |
| Voltage | 50 V |

Further technical details

| | |
|------------------------------------|--------|
| Weight | 2,50 g |
| Conductors stripping length | 2,5 mm |

General ordering information

| | |
|-------------------|---------------|
| EAN13 code | 8015747232920 |
| eCl@ss 8.1 | 27440204 |
| ETIM 7.0 | EC000796 |

Packaging Information

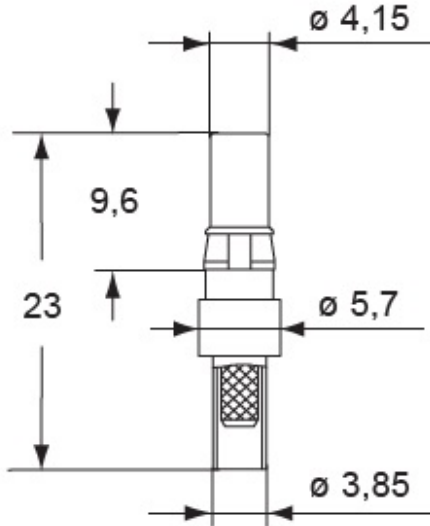
| | |
|----------------------------------|----------------------|
| Sub-packaging length | 50,00 mm |
| Sub-packaging height | 44,00 mm |
| Sub-packaging width | 50,00 mm |
| Sub-packaging volume | 0,11 dm ³ |
| Sub-packaging description | Plastic box |
| Sub-packaging quantity | 4 Pcs |
| Sub-packaging EAN barcode | 8015747233019 |

Part number

CX 50 RF



Catalogue drawings



Notes

For cables:

RG 316/U external $\varnothing 2,49 \pm 0,1$

RG 174/U external $\varnothing 2,79 \pm 0,127$

RG 188 A/U external $\varnothing 2,79$ max

California Proposition 65 Information



WARNING

This product can expose you to lead and its compounds, known to the State of California to cause cancer and/or reproductive toxicity. For more information go to www.P65Warnings.ca.gov.

Dimensions shown in mm are not binding and may be changed without notice.