

Part number

TM 1145 TB



Modular back plate for socket outlets set mounting, TM series

Product description

Product type	Modular back plate for socket outlets set mounting
Series	TM
Size	115 x 450 x 18 mm

Further technical details

Weight	360,00 g
Operating temperature range (min, max)	-25°C ... +40°C
IK rating (impact degree of protection)	IK10

Material properties

Colour	RAL 7012 grey
---------------	---------------

General ordering information

EAN13 code	8015747089357
-------------------	---------------

Packaging Information

Packaging length	255,00 mm
Packaging height	120,00 mm
Packaging width	470,00 mm
Packaging weight	3,60 kg
Packaging volume	14,38 dm ³
Packaging description	Carton box
Packaging quantity	10 Pcs
Packaging EAN code	8015747089364
Sub-packaging weight	0,36 kg
Sub-packaging description	Plastic packaging
Sub-packaging quantity	1 Pcs
Sub-packaging EAN barcode	8015747089371

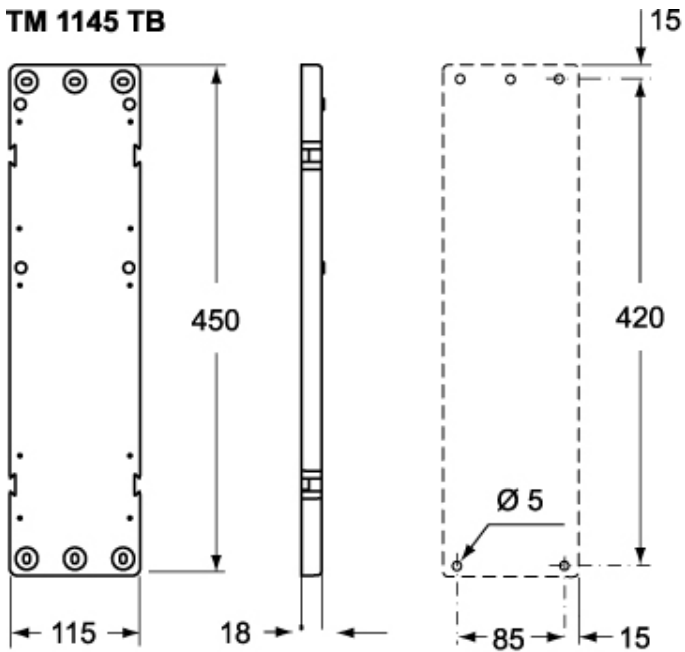
Part number

TM 1145 TB

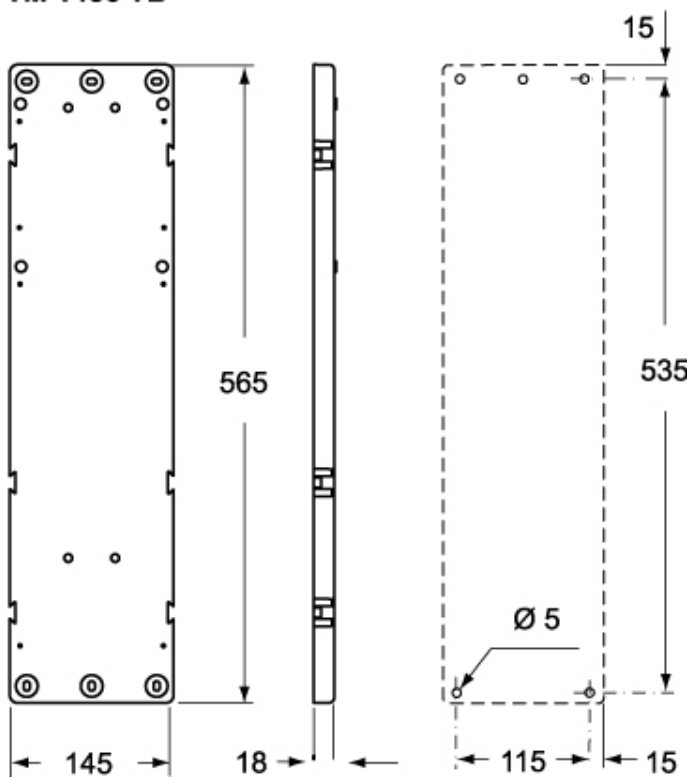


Catalogue drawings

TM 1145 TB



TM 1456 TB



Notes

Dimensions shown in mm are not binding and may be changed without notice.
