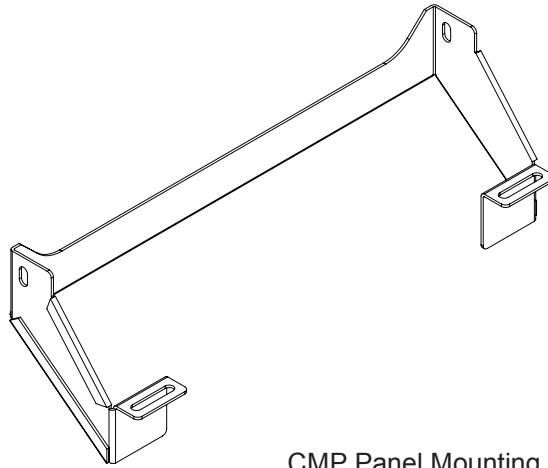


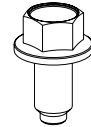
CMP Panel
Stationary and expandable
Qty: 1
*(Panel comes ready to Install in a
42RU high cabinet)*



CMP Panel Mounting
Bracket Adapter
Qty: 2

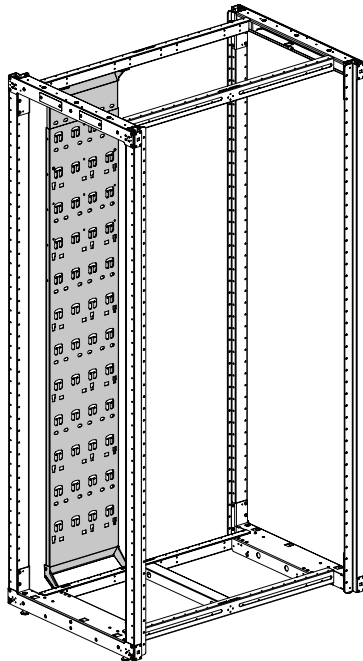
Tool List:

- 8mm Hex Driver

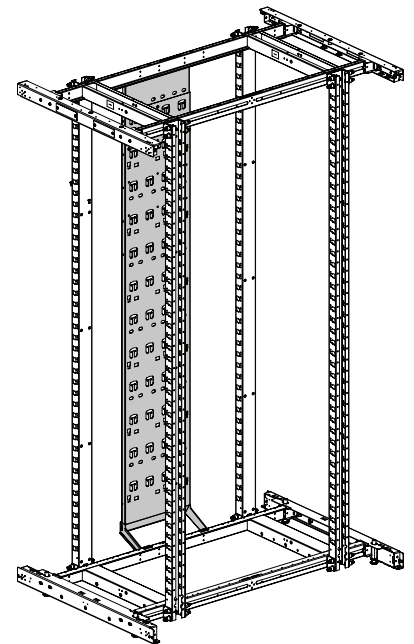


M5x0.8 x 10mm
Hex Head Screw
Qty: 8

**CMP Panel
Installed on an
S-Type Cabinet**

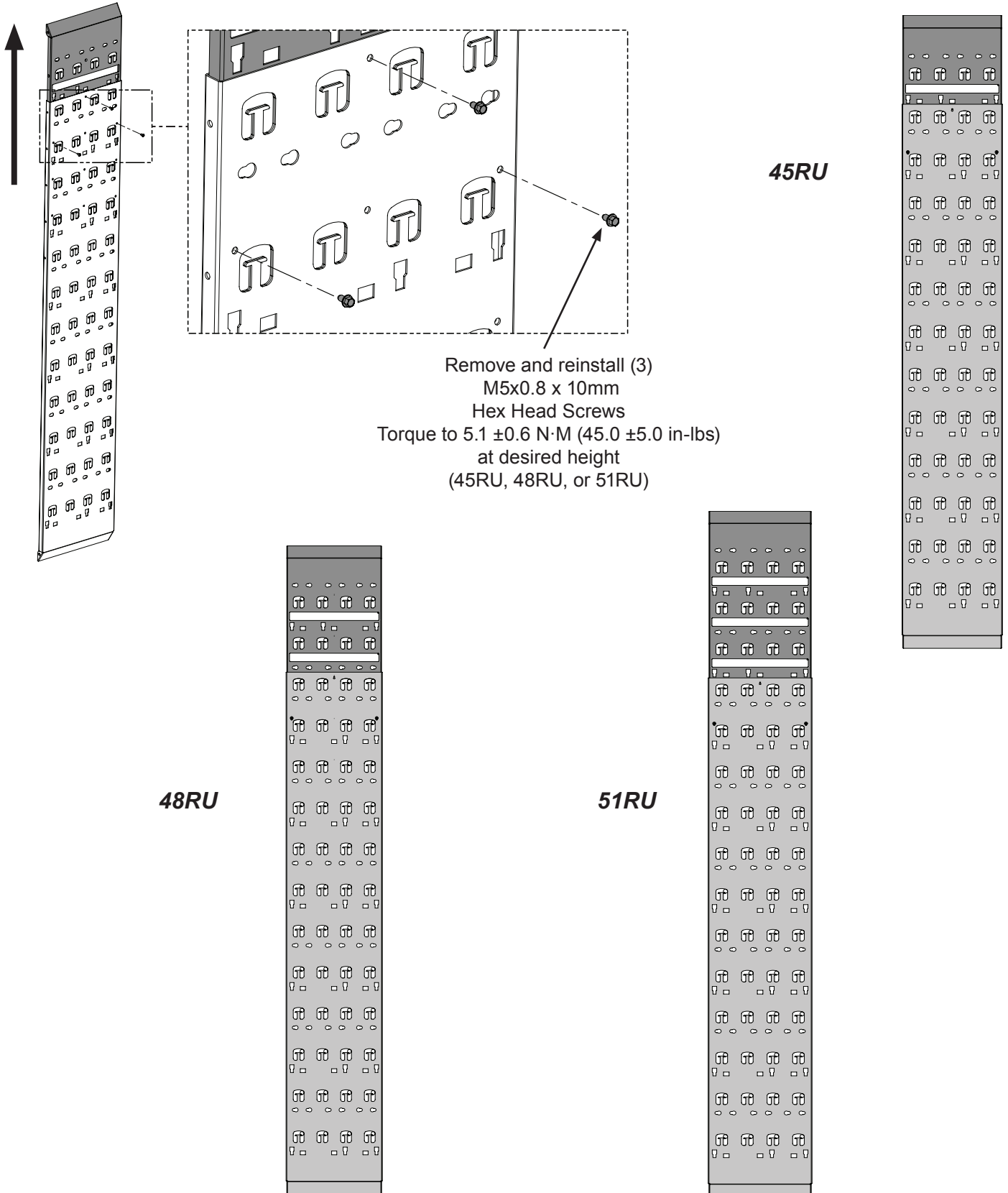


**CMP Panel
Installed on an
N-Type Cabinet**



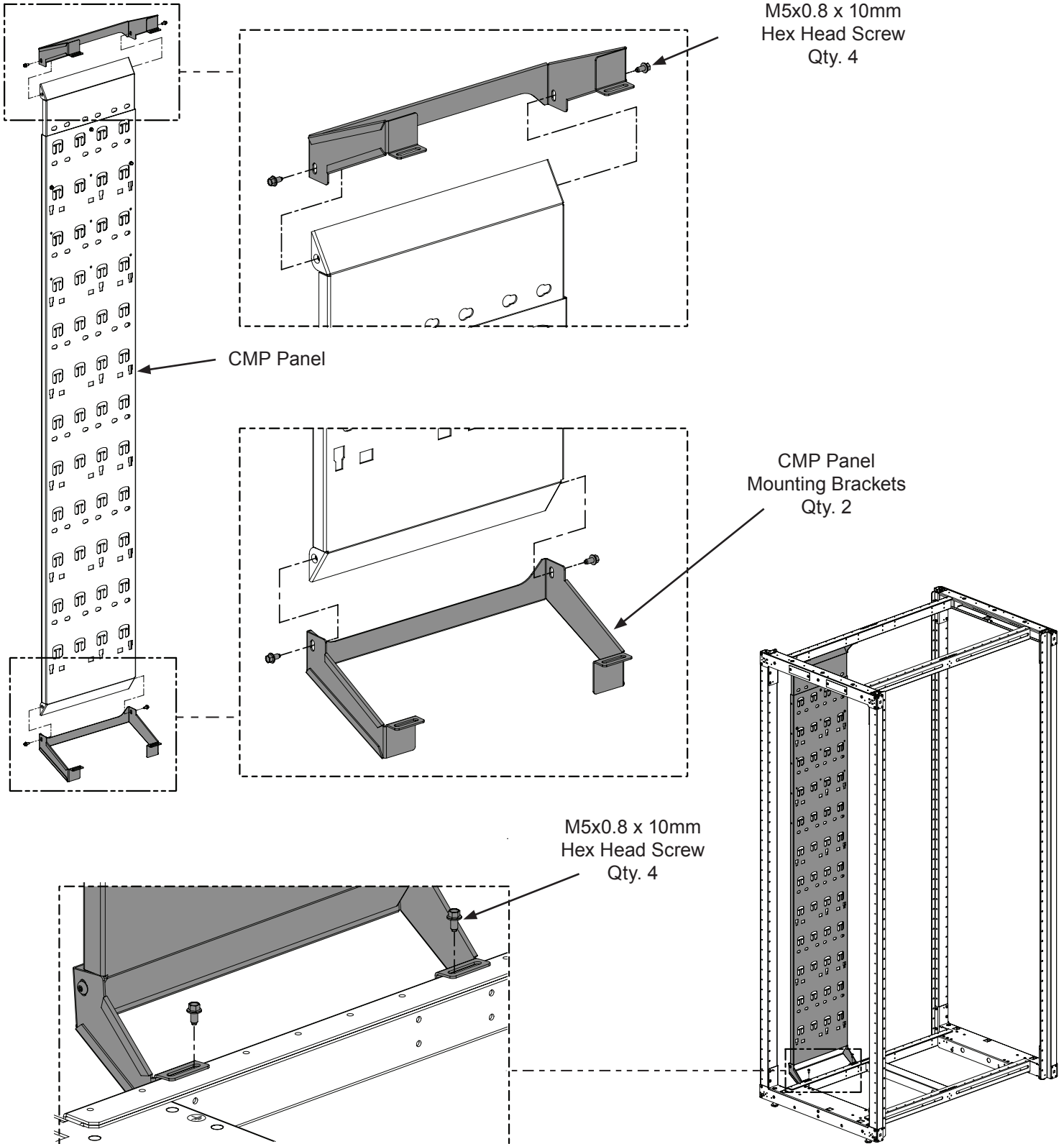
Adjust CMP Panel to desired height (Panel comes ready to install in a 42RU cabinet)

- For RU heights other than 42RU; Remove the (3) M5x0.8 x 10mm Hex Head Screws.
- Slide the top portion of CMP Panel up to desired position and reinstall the (3) M5x0.8 x 10mm Hex Head Screws.



Install CMP Panel onto the Cabinet

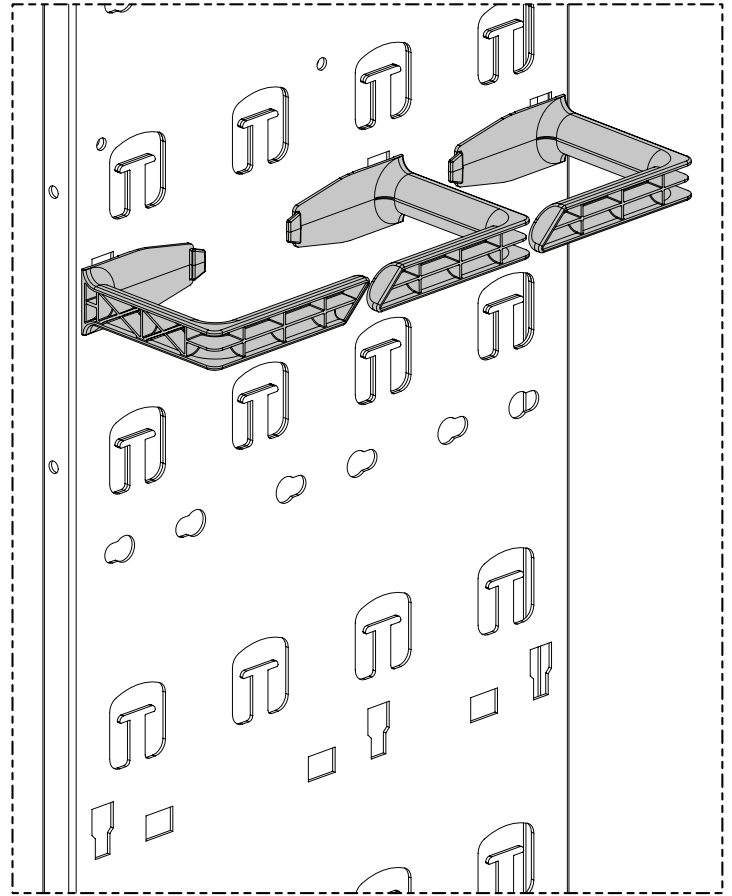
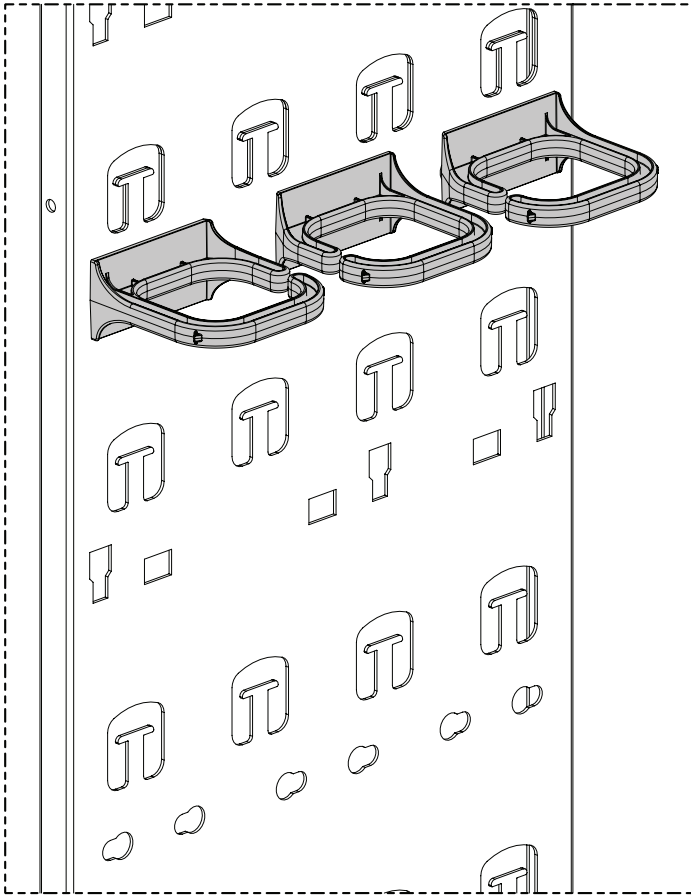
- Attach (2) CMP Panel Mounting Brackets to the CMP Panel using (4) M5x0.8 x 10mm Hex Head Screws.
- The CMP Panel can be mounted anywhere along the cabinet side rail on either side of the cabinet.
- Attach the CMP Panel Assembly at desired location using (4) M5x0.8 x 10mm Hex Head Screws.



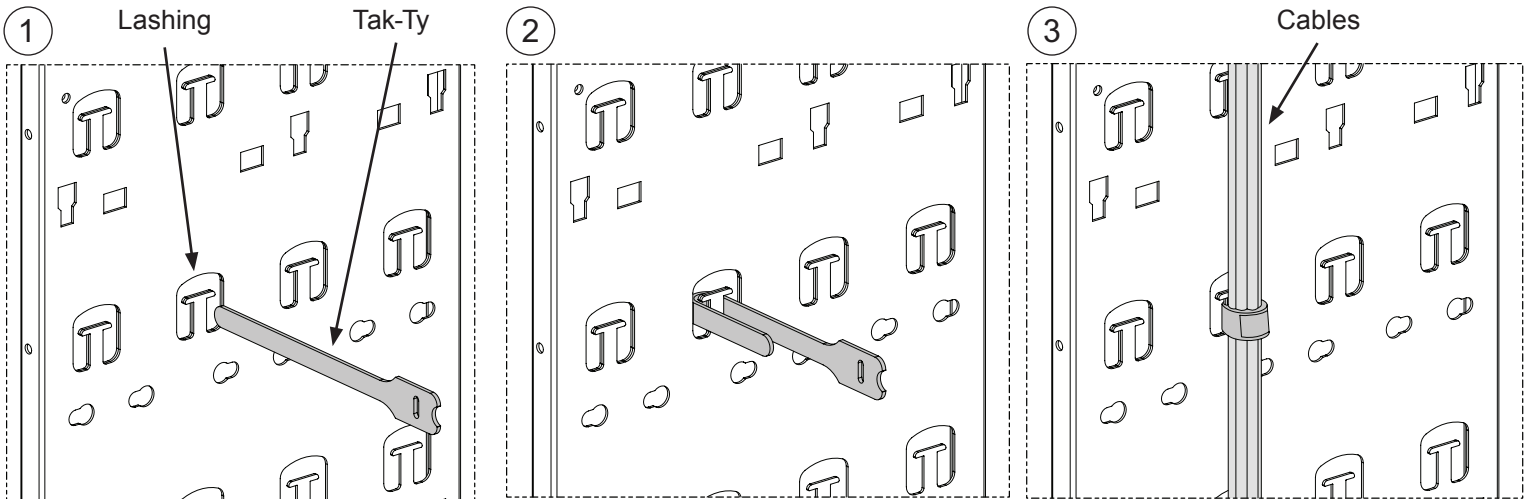
Optional Accessories - not included

*Install D-Rings in orientation shown.
(Reference Installation Instructions CM108B
and CM615C for further Information.)*

*Install L-Rings in orientation shown.
(Reference Installation Instructions CM615C
for further Information.)*



Install Tak-Tys through lashings in CMP Panel.



For Instructions in Local Languages
and Technical Support:

www.panduit.com/resources/install_maintain.asp

PANDUIT

www.panduit.com

E-mail:
techsupport@panduit.com

Phone:
866-405-6654