



Product designation				Earth leakage relays
Product type designation				RC
<b>General characteristics</b>				
Description				Compact, 1 operating threshold
N° of operating threshold				1
<b>Control circuit</b>				
Toroidal transformer				Incorporated diam. 35mm/1.38"
Adjustments				
	Tripping set-point ( $I_{\Delta n}$ )	(x0.1)	A	0.025...0.25
		(x1)	A	0.25...2.5
		(x10)	A	2.5...25
	Tripping delay time	(tx1)	s	0.02...0.5
		(tx10)	s	0.2...5
Selection of multiplier for $I_{\Delta n}$ and t				By dip switches
Resetting				Configurable automatic or manual by button on front
Test Button				Yes
Shunt circuit control				No
<b>Auxiliary supply</b>				
Auxiliary rated supply voltage $U_s$				24-48VAC/DC
Output contacts				1
Rated frequency			Hz	50...60
Power consumption Max			VA	3
<b>Relay outputs</b>				
Relay state				Normally de-energised
Contact arrangement				1 changeover SPDT (trip)
Rated contact capacity IEC Ith				5A - 250VAC
<b>Insulations</b>				
Power frequency withstand voltage			kV	2.5kV for 60s
<b>Indications</b>				
Auxiliary voltage available (ON)				Green LED
Relay tripping (TRIP)				Red LED
<b>Connections</b>				
Terminals type				Fixed
Tightening torque for terminals				

		max	Nm	0.5
		max	lbin	4.5
Conductor section	AWG/Kcmil	min		24
		max		12
	IEC	min	mm <sup>2</sup>	0.2
		max	mm <sup>2</sup>	2.5

**Operations**

Mechanical life		cycles	50000000
Electrical life		cycles	300000

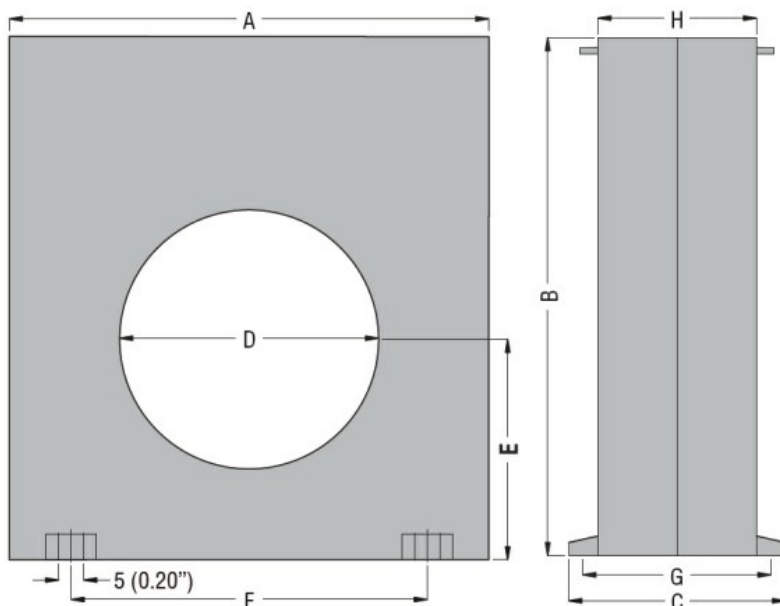
**Ambient conditions**

Temperature	Operating temperature	min	°C	-10
		max	°C	+60
	Storage temperature	min	°C	-20
		max	°C	+80
Relative humidity			%	≤90%

**Housing**

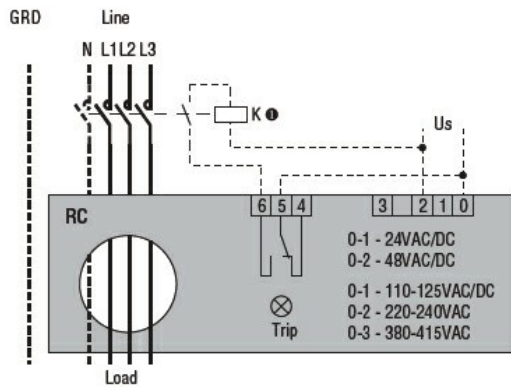
Material	Self-extinguishing polycarbonate
Mounting	35mm DIN rail
Degree of protection	IP20 terminals
Dimensions (W x H x D)	mm 100x110x70
Weight	g 485

**Dimensions**



TYPE	A	B	C	D	E	F	G	H
RC35	100 (3.94")	110 (4.33")	70 (2.75")	35 (1.38")	47 (1.85")	60 (2.36")	60 (2.36")	50 (1.97")
RC60	100 (3.94")	110 (4.33")	70 (2.75")	60 (2.36")	47 (1.85")	60 (2.36")	60 (2.36")	50 (1.97")
RC80	150 (5.90")	160 (6.30")	70 (2.75")	80 (3.15")	70 (2.75")	110 (4.33")	60 (2.36")	50 (1.97")
RC110	150 (5.90")	160 (6.30")	70 (2.75")	110 (4.33")	70 (2.75")	110 (4.33")	60 (2.36")	50 (1.97")

### Wiring diagrams



### Certifications and compliance

Compliant with standards

IEC/EN 60947-2

Certificates

EAC

### ETIM classification

ETIM 8.0

EC001445 -  
Residual current  
monitoring relay