

LL3-KD01750

LL3

FIBERS

SICK
Sensor Intelligence.



Ordering information

| Type | Part no. |
|-------------|----------|
| LL3-KD01750 | 5345835 |

Other models and accessories → www.sick.com/LL3

Detailed technical data

Features

| | |
|--|--------------------------------------|
| Device type | Fibers |
| Functional principle | Proximity system |
| For fiber-optic sensor | GLL170(T), WLL180, WLL24 Ex |
| Fiber length | 750 mm |
| Fiber material | Polymethylmethacrylat (PMMA) |
| Jacket material | Polyethylen (PE) |
| Fiber head material | Stainless steel |
| Smooth sleeve diameter (greatest diameter) | 6 mm |
| Fiber-optic head design | Smooth sleeve, Ø 6 mm, length 32 mm |
| Fiber arrangement | Monofiber |
| Core structure | 2 x Ø 1,0 mm ¹⁾ Monofiber |
| Angle of dispersion < 60° | No |
| Compatibility with infrared light (1,450 nm) | No |
| Highly flexible/elastic fibers (bend radius 1–4 mm) | No |
| Adapter end sleeves required | No |
| Angle of dispersion | 60° |
| Integrated lens | No |
| Compatibility tip adapters | No |
| Special features | Can be connected to LL3-KX01 |

¹⁾ C = Coaxial, S = Sender, E = Receiver.

Mechanics/electronics

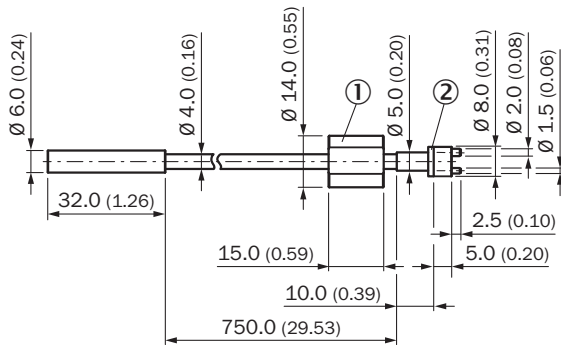
| | |
|---------------------------------------|-------------------|
| Bend radius, fibre-optic cable | 25 mm |
| Ambient operating temperature | -40 °C ... +70 °C |

Classifications

| | |
|---------------------|----------|
| ECLASS 5.0 | 27270905 |
| ECLASS 5.1.4 | 27270905 |
| ECLASS 6.0 | 27270905 |
| ECLASS 6.2 | 27270905 |
| ECLASS 7.0 | 27270905 |
| ECLASS 8.0 | 27270905 |

| | |
|-----------------------|----------|
| ECLASS 8.1 | 27270905 |
| ECLASS 9.0 | 27270905 |
| ECLASS 10.0 | 27270905 |
| ECLASS 11.0 | 27270905 |
| ECLASS 12.0 | 27270905 |
| ETIM 5.0 | EC002651 |
| ETIM 6.0 | EC002651 |
| ETIM 7.0 | EC002651 |
| ETIM 8.0 | EC002651 |
| UNSPSC 16.0901 | 39121528 |

Dimensional drawing (Dimensions in mm (inch))



- ① Mounting nuts SW, 12
- ② EPDM washer \varnothing 5 x 1.5

SICK AT A GLANCE

SICK is one of the leading manufacturers of intelligent sensors and sensor solutions for industrial applications. A unique range of products and services creates the perfect basis for controlling processes securely and efficiently, protecting individuals from accidents and preventing damage to the environment.

We have extensive experience in a wide range of industries and understand their processes and requirements. With intelligent sensors, we can deliver exactly what our customers need. In application centers in Europe, Asia and North America, system solutions are tested and optimized in accordance with customer specifications. All this makes us a reliable supplier and development partner.

Comprehensive services complete our offering: SICK LifeTime Services provide support throughout the machine life cycle and ensure safety and productivity.

For us, that is “Sensor Intelligence.”

WORLDWIDE PRESENCE:

Contacts and other locations –www.sick.com