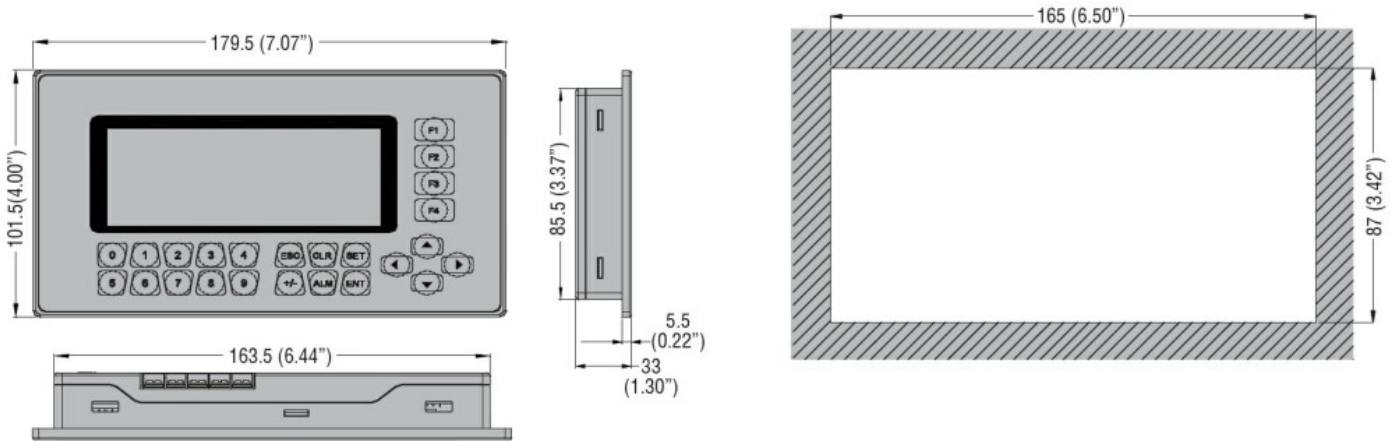




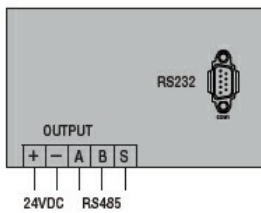
Product designation	Operator panel, 24VDC. RS232 and RS485 (Modbus-RTU Master) ports		
Product type designation	LRXP01		
Auxiliary supply voltage	24VDC		
<b>Power supply</b>			
Rated auxil. supply voltage	24VDC		
Operating voltage range	20.4...26.4VDC (-15%...+10%)		
Power consumption Max	W	1.9	
<b>System resources</b>			
Display	4.3" monochrome LCD display, green background + keypad with 24 keys		
Colors	monochrome, olive background		
Resolution	192 x 64 pixel		
Touchscreen	No		
<b>Communications</b>			
Type of communication port	RS232 and RS485		
<b>Connections</b>			
Terminals type	Screw		
Tightening torque for terminals	max	Nm	1.8
	Max	lbft	10.4
Conductor section			
AWG/Kcmil	min	22	
	max	12	
IEC	min	mm <sup>2</sup>	0.4
	max	mm <sup>2</sup>	3.3
<b>Ambient conditions</b>			
Temperature			
Operating temperature	max	°C	+55
Storage temperature	min	°C	-40
	max	°C	+70

Relative humidity	%	10...95% without condensation
Maximum Pollution degree		2
<b>Housing</b>		
Degree of protection		IP65
Dimensions (W x H x D)	mm	179.5 x 101.5 x 33
Weight	g	200

**Dimensions**



**Wiring diagrams**



**Certifications and compliance**

**Compliance**

CSA C22.2 n° 142  
IEC/EN 61131-2  
UL508

**Certificates**

cULus  
EAC

**ETIM classification**

ETIM 8.0

EC001412 -  
Graphic panel