

OPTASON O400L

L.E.D. Array Beacon
 32 x High powered L.E.D's
 9 Selectable user modes
 IP Rating: IP65
 Temp: -25°C to +50°C
 Unit weight: 845g DC 595g AC
 CE

Dimensions : Ø140 x 225mm
 1.5mm² terminals
 Cable entry: 1 x 5-7mm push through
 grommet
 2 x M20 cable entry (IP65)

Order code Voltage
 O400L024-x 10-50V DC 400mA
 O400L115-x 115V AC 140mA
 O400L230-x 230V AC 70mA

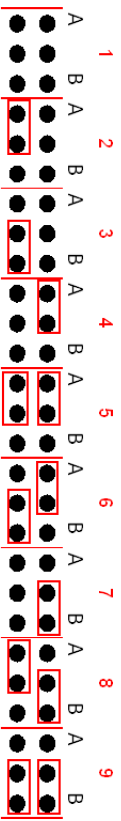
x = Lens colour
 3 = Red
 2 = Amber
 4 = Blue
 6 = Green
 5 = Yellow

Mountings Right angle bracket
 EQO400-9
 TUBE0400-9 Tube mounting assembly



B400LDA

	Stage 1 [DC & AC unit]	Stage 2 [DC unit only]	Stage 3 [DC unit only]
1	All LED's on	Alternate Side Flash 2Hz	Double Strike Flash 2Hz
2	Rotating: Slow 1	Alternate Side Flash 2Hz	All LED's on
3	Single Strike Flash 2Hz	Rotating: Fast 2	All LED's on
4	Rotating: Fast 1	Single Strike Flash 2Hz	All LED's on
5	Rotating: Slow 2	Double Strike Flash 1Hz	All LED's on
6	Double Strike Flash 2Hz	Rotating: Fast 2	All LED's on
7	Rotating: Fast 2	Double Strike Flash 2Hz	All LED's on
8	Double Strike Flash 1Hz	Alternate Side Flash 2Hz	All LED's on
9	Alternate Side Flash 2Hz	Rotating: Fast 2	All LED's on



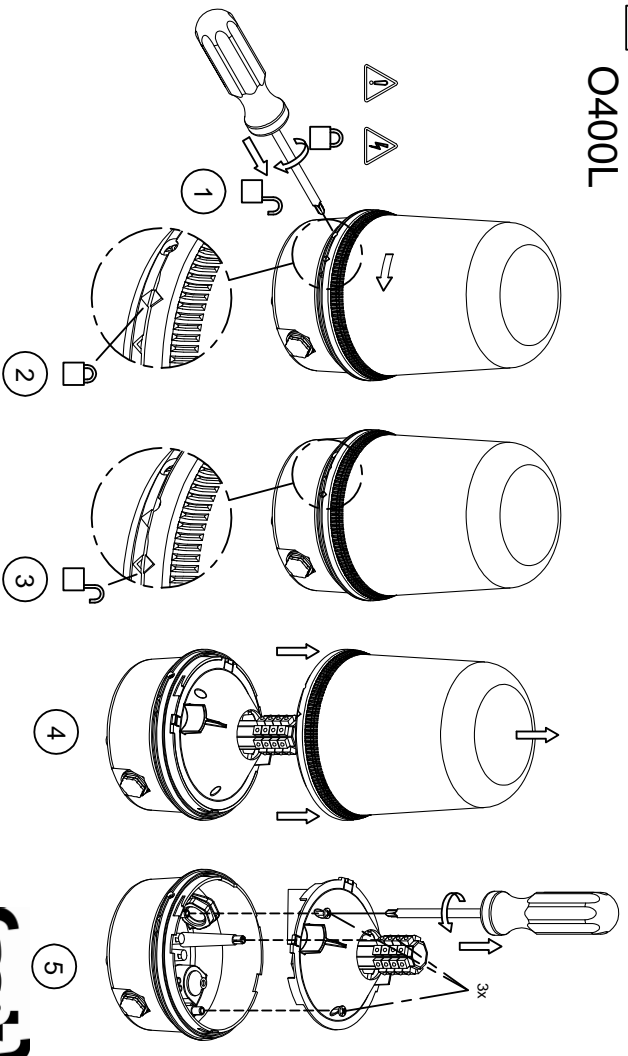
ATTENTION: Installation must be carried out by an electrician in compliance with the latest codes and regulations.

ATTENTION: Disconnect from power source before installation or service to prevent electric shock.

ATTENTION: Lens on unit will be hot allow to cool prior to removal.

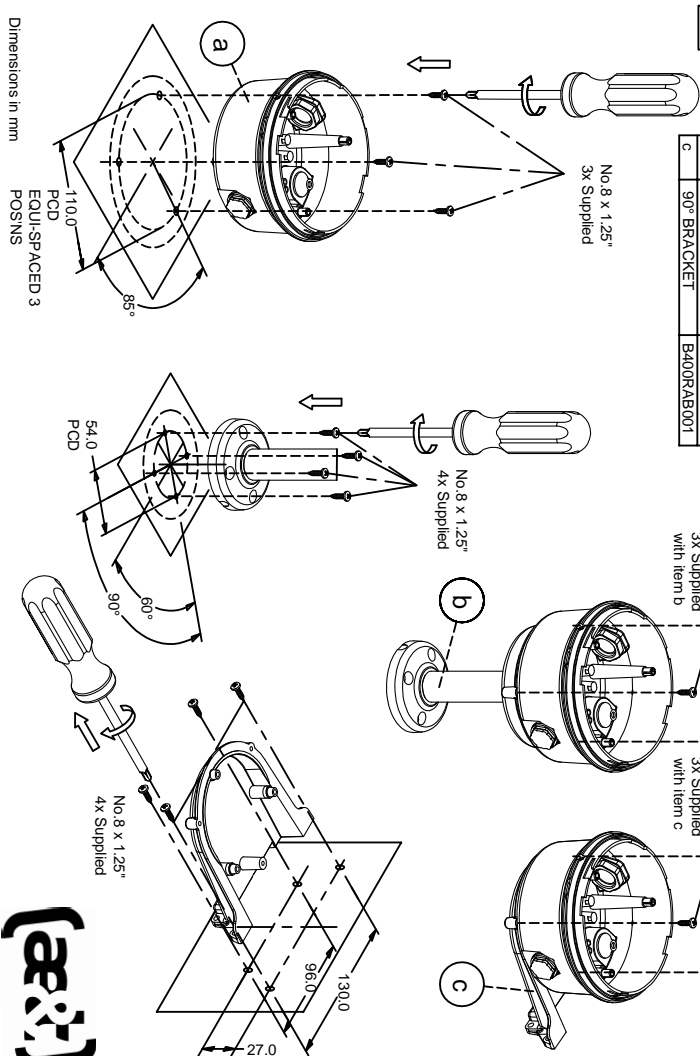


A OPTASON O400L

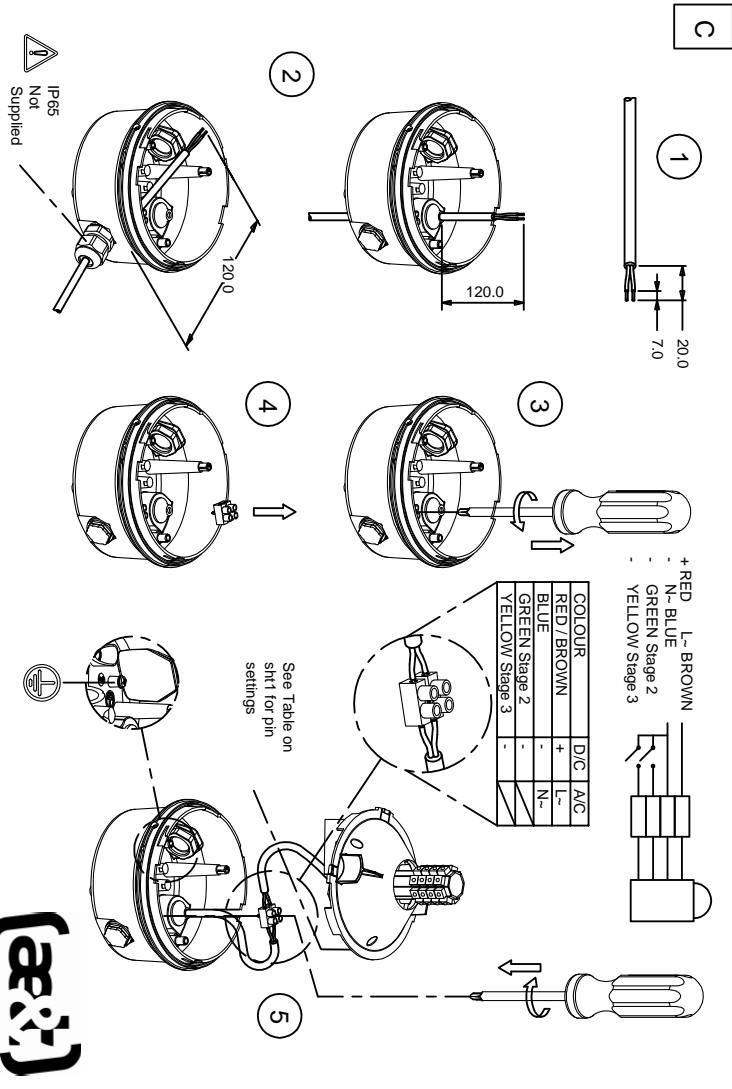


MOUNTING OPTIONS

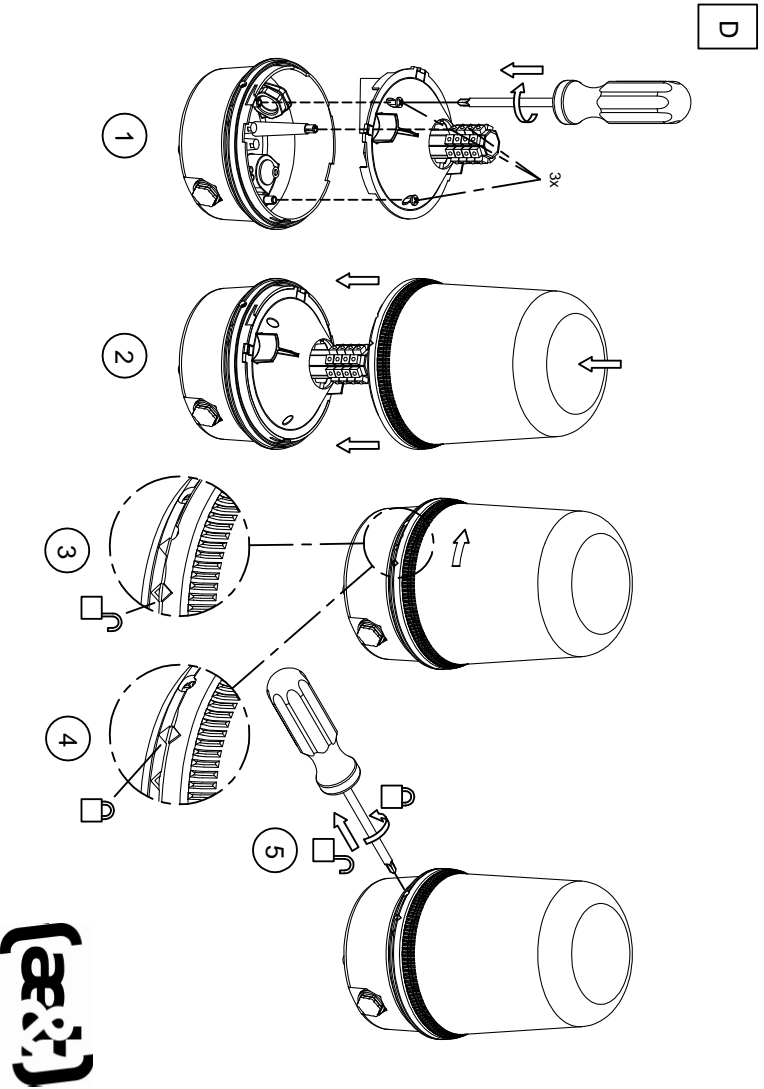
a	STANDARD BASE	B400TMA001
b	POLE MOUNT	B400RAB001
c	90° BRACKET	B400RAB001



C



D



Dimensions in mm

PCD
EQUI-SPACED 3
POSNS